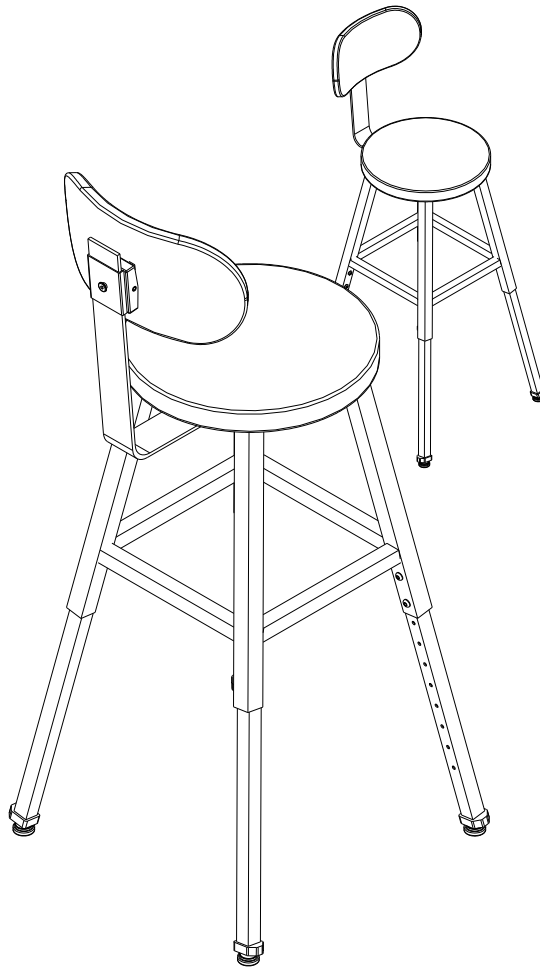




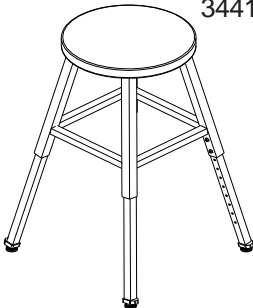
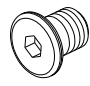
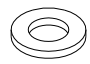
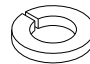
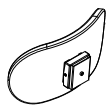

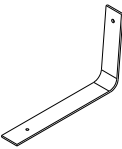
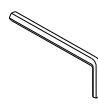
## Adjustable Height Stool with Back

34419R + 34450 or  
34441R + 34451



# Assembly Instructions

# Adjustable Height Stool w/Back

Part	Drawing	Description	Qty	Part	Drawing	Description	Qty	
P1		Adjustable Height Stool Assembly 34419R or 34441R	1 EA	<b>Hardware List</b>				
				A1		Socket Hd Screw M8x9mm	1 EA	
				B		Flat Washer 10mm	1 EA	
				C		Lock washer 10mm	1 EA	
P2		Back Rest	1 EA	D		Knob 10mm	1 EA	
P3		Metal Back Support	1 EA	E		Allen Wrench	1 EA	

*We recommend that you assemble this unit on a table.*

**Missing Parts or UPS Damaged Parts**

For Your Convenience you can  
EMAIL us at  
**[furniture@baltinc.com](mailto:furniture@baltinc.com)**  
24HOURS 7 DAYS A WEEK

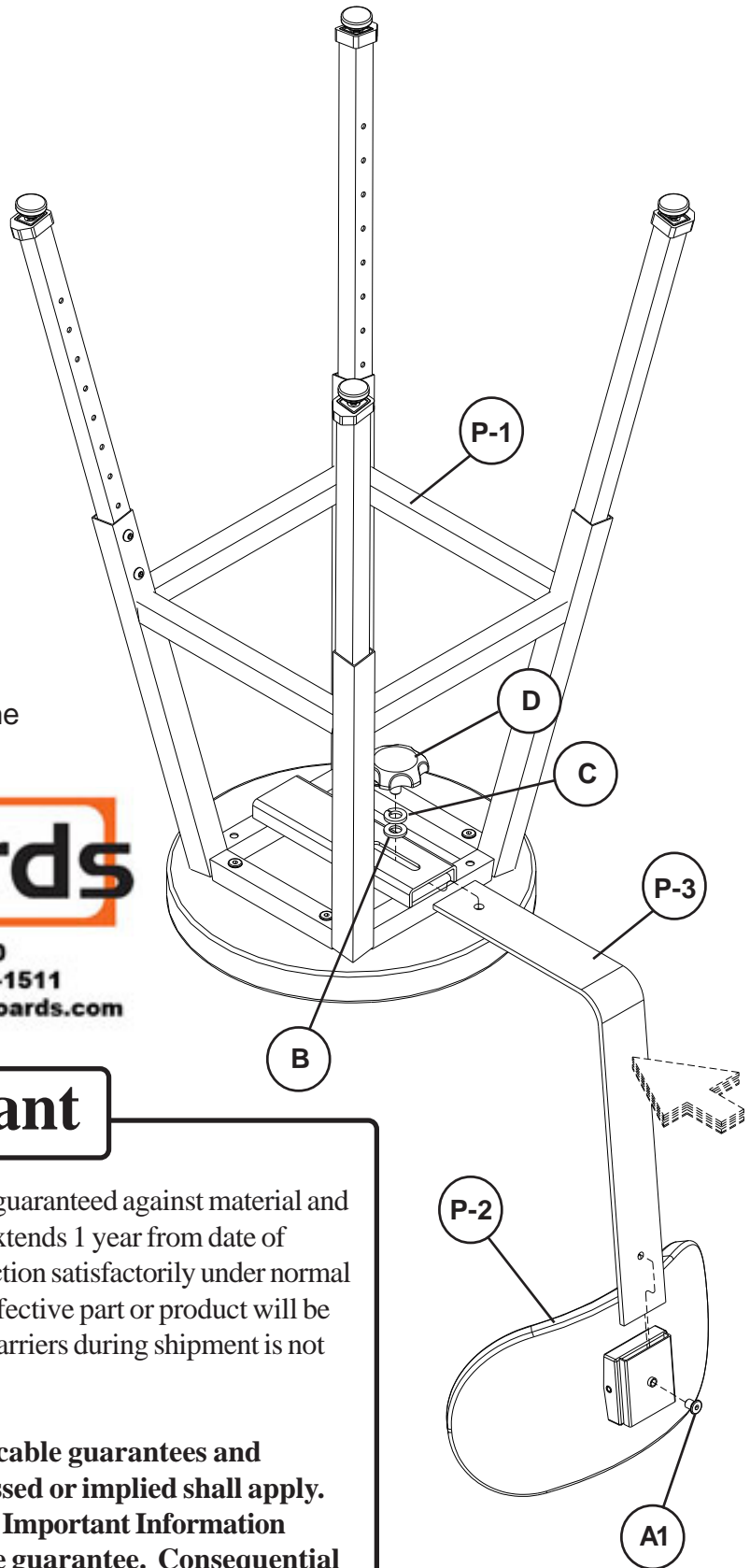
***Should you require assistance during assembly,  
please call our Customer Service Department  
Monday - Friday 8 a.m. - 5 p.m.  
Central Standard Time 1-800-749-2258***

Do not use unless all screws are tight. At least every six months, check all screws to be sure they are tight. If parts are missing, broken, damaged, or worn, stop use of the product until repairs are made by your dealer using factory authorized parts.

1.) Slide Metal Back Support (P-3) into the Assembled Stool Frame (P-1) as shown in illustration #1. Secure using 1 Flat Washer (B), 1 Lock Washer (C), and 1 Knob (D).

2.) Attach Back Rest (P-2) to the Metal Back Support (P-3) using 1 Screw (A1) as shown in illustration #1.

3.) Tighten all the screws at this time using Allen Wrench (E).



**Touchboards**

205 Westwood Ave, Long Branch, NJ 07740  
 Phone: 866-94 BOARDS (26273) / (732)-222-1511  
 Fax: (732)-222-7088 | E-mail: sales@touchboards.com

## Important

The Balt product you have purchased is guaranteed against material and workmanship defects. This guarantee extends 1 year from date of purchase. Should this product fail to function satisfactorily under normal use due to defect or imperfection, the defective part or product will be replaced. Damage caused by common carriers during shipment is not included in this guarantee.

**This guarantee sets forth all applicable guarantees and remedies. No other warranty, expressed or implied shall apply. Failure to follow instructions found in Important Information Section of Owner Sheet shall void the guarantee. Consequential or incidental damages and or costs are not refundable.**