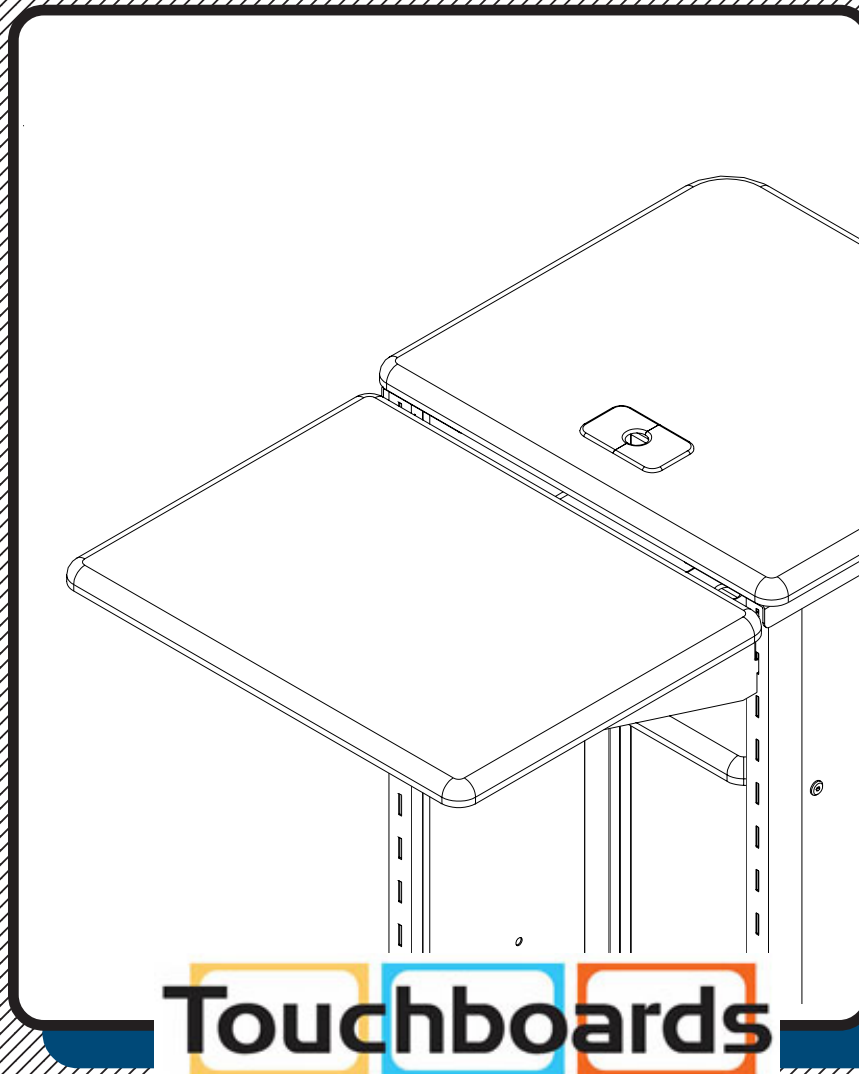




#34465 Optional Shelf

for Presentation Cart #27521



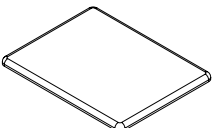
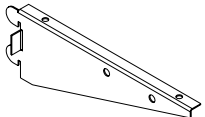

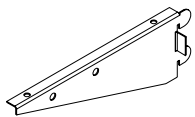

Touchboards

205 Westwood Ave, Long Branch, NJ 07740
Phone: 866-94 BOARDS (26273) / (732)-222-1511
Fax: (732)-222-7088 | E-mail: sales@touchboards.com

Assembly Instructions

34465 Optional Shelf

for Presentation Cart #27521

Part	Drawing	Description	Qty	Part	Drawing	Description	Qty
P1		Wood Platform	1 EA	Hardware List			
P2		Right Shelf Bracket	1 EA	A		9/16"Socket Screw	4 EA
P3		Left Shelf Bracket	1 EA	B		Allen Wrench	1 EA
				Missing Parts or UPS Damaged Parts For Your Convenience you can EMAIL us at <u>furniture@baltinc.com</u> 24HOURS 7 DAYS A WEEK			

Do not use unless all screws are tight. At least every six months, check all screws to be sure they are tight. If parts are missing, broken, damaged, or worn, stop use of the product until repairs are made by your dealer using factory authorized parts.

#34465 Optional Shelf Assembly Diagram

READ THROUGH INSTRUCTIONS FROM BEGINNING TO END BEFORE STARTING TO ASSEMBLE UNIT.

- 1.) Identify and Separate all the Parts and Hardware.
- 2.) Place the Wood Platform (P-1) with the insert nuts facing up.
- 3.) Attach Right Shelf Bracket (P-2) and Left Shelf Bracket (P-3) to Wood Platform (P-1) using 4 screws (A) as shown in illustration # 1.
(Finger tighten only)

Should you require assistance during assembly, please call our Customer Service Department Monday - Friday 8 a.m. - 5 p.m. Central Standard Time 1-800-749-2258

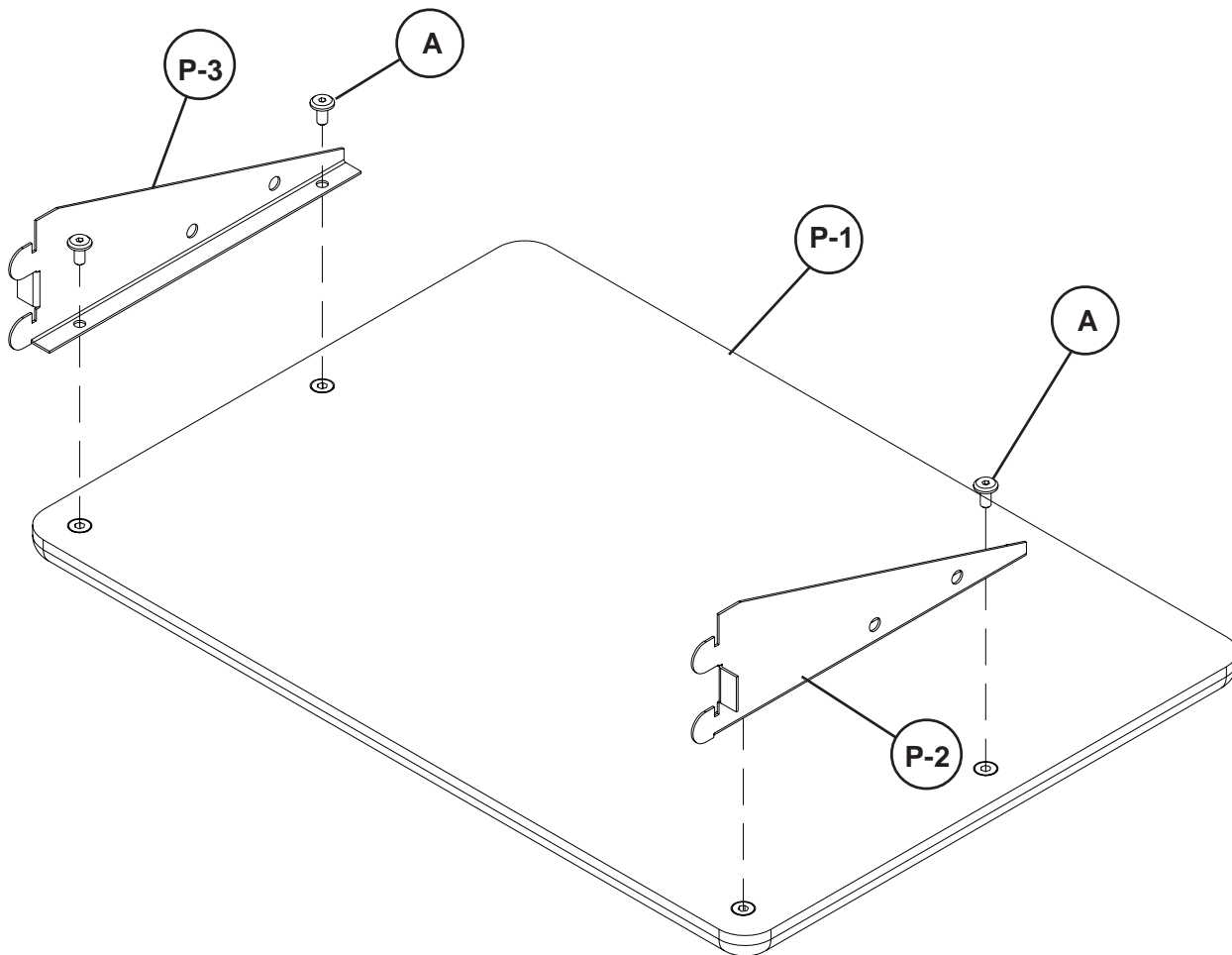


Illustration # 1

- 4.) Attach Right Shelf Bracket (P-2) and Left Shelf Bracket (P-3) to the Right & Left Leg Assemblies at the desired height as shown in illustration # 2.
(Tighten 4 screws under Laptop Shelf (P-1) using Allen Wrench (B)).

Missing Parts or UPS Damaged Parts

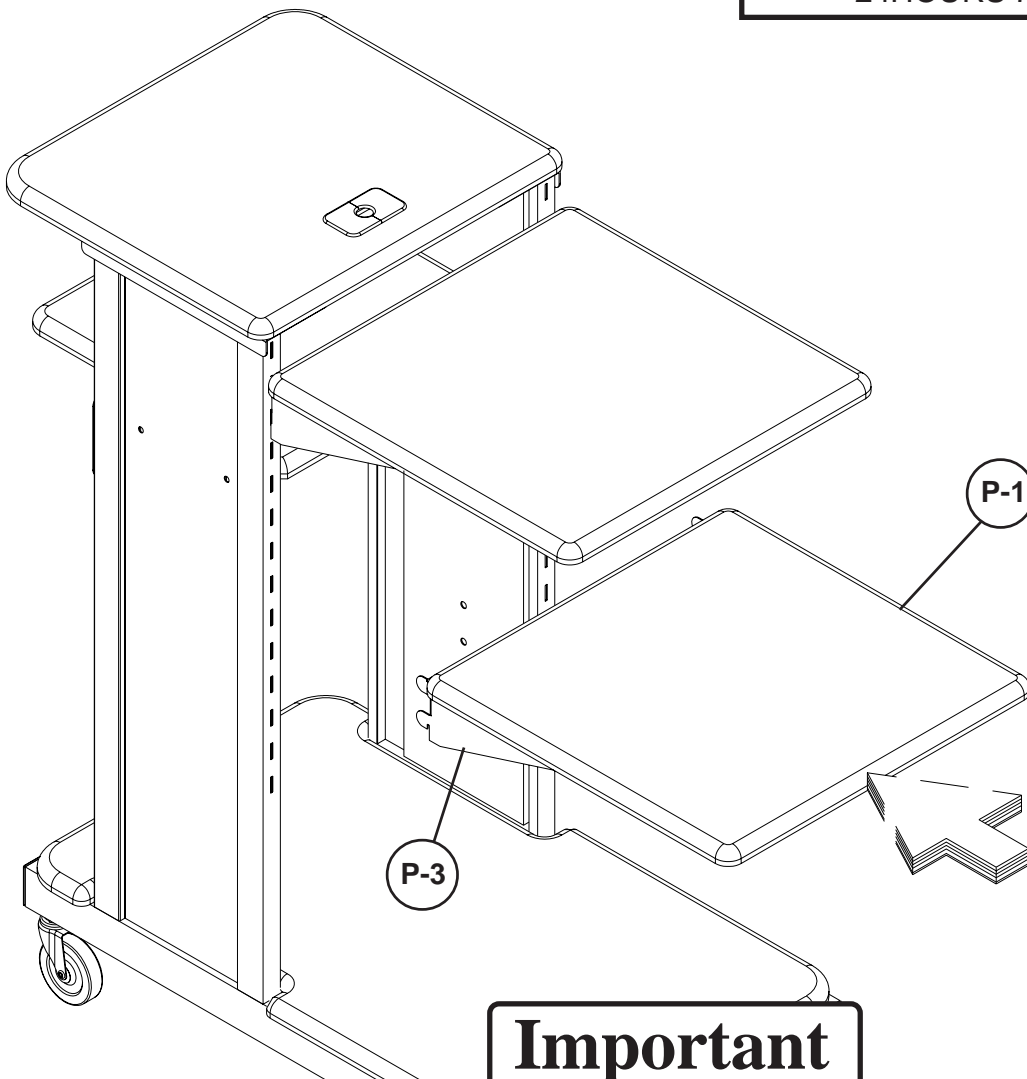
For Your Convenience you can

EMAIL us at

furniture@baltinc.com

24HOURS 7 DAYS A WEEK

Illustration # 2



Important

The Balt product you have purchased is guaranteed against material and workmanship defects. This guarantee extends 1 year from date of purchase. Should this product fail to function satisfactorily under normal use due to defect or imperfection, the defective part or product will be replaced. Damage caused by common carriers during shipment is not included in this guarantee.

This guarantee sets forth all applicable guarantees and remedies. No other warranty, expressed or implied shall apply. Failure to follow instructions found in Important Information Section of Owner Sheet shall void the guarantee. Consequential or incidental damages and or costs are not refundable.