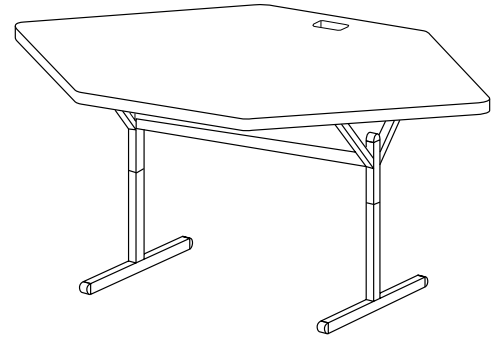


3511

## Adjustable Corner Table Assembly Instructions



### PARTS LIST

Qty	Part#	Description
1	SA1656	Wood Top
2	022-1593	Lower Leg Assembly
1	022-1589	Right Upper Leg Assembly
1	022-1590	Left Upper Leg Assembly
1	010-2321	Modesty Panel
1	010-2323	Cord Bin

### HARDWARE LIST

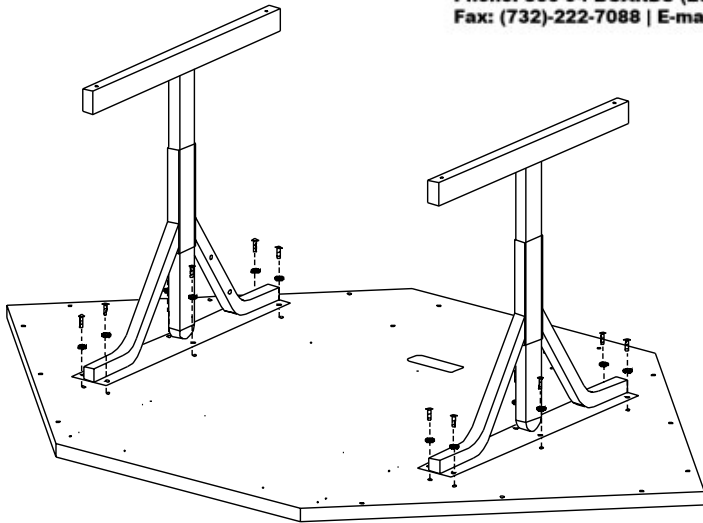
Ref.	Qty	Part#	Description
AA	12	030-0402	10-32 x 5/8" Combo Screws
BB	4	030-0396	3/8-16 x 1/2" Set Screws
CC	1	030-0397	Allen Wrench
DD	4	030-0325	1/4-20 1/2" Combo Truss Screws
EE	6	030-0168	#8 x 1/2" Wood Screws
FF	2	030-0433	10-32 x 1/2" Knurled Screws
HH	2	030-0465	Retaining Washers
JJ	4	015-0045	Glides
KK	12	030-0240	1/4" External Lockwashers

### TOOLS REQUIRED

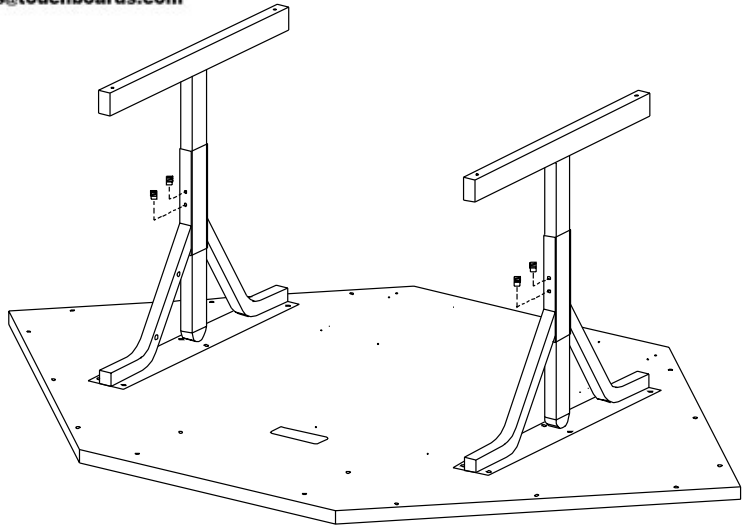
- Phillips Screwdriver
- Rubber Mallet
- Allen Wrench (provided)



205 Westwood Ave, Long Branch, NJ 07740  
 Phone: 866-94 BOARDS (26273) / (732)-222-1511  
 Fax: (732)-222-7088 | E-mail: sales@touchboards.com



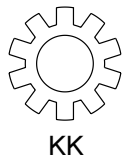
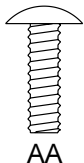
FRONT EDGE



BACK EDGE

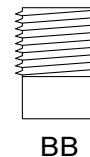
### STEP 1

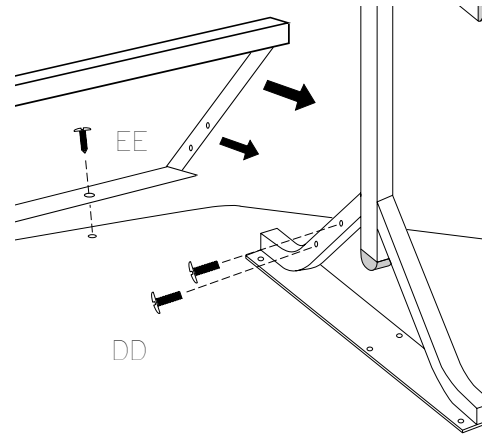
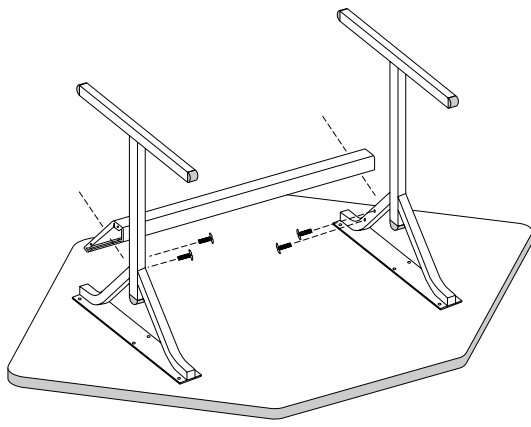
Lay wood top on a carpeted surface with holes facing upward. Position the legs onto top with holes facing in and toward back as shown. **LOOSELY** attach with screws (AA) and washers (KK).



### STEP 2

Set desired height and insert set screws (BB) into legs and tighten with Allen wrench (provided).





### STEP 3

Slide in modesty panel. Tightly secure modesty panel to legs with screws (DD). Attach to wood top using screws (EE). **TIGHTEN ALL HARDWARE.** NOTE: Any "C" frames for shelves must be assembled prior to attaching the modesty panel.

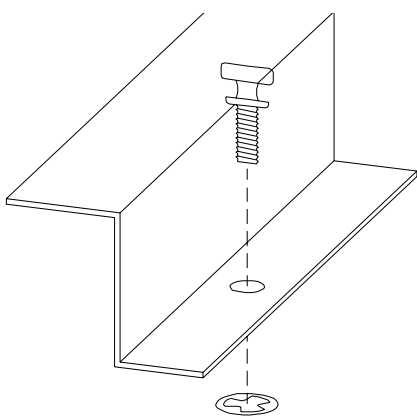
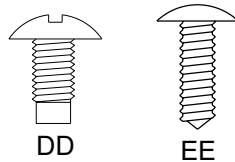


FIG. 1

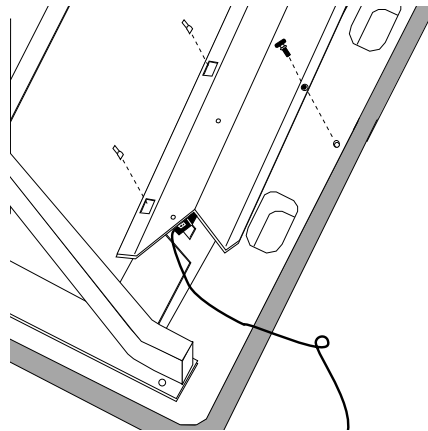
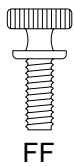


FIG. 2

### STEP 4

Insert screws (FF) into the holes in cord bin. Then slide on washer (HH) as shown in **Fig. 1**. Attach cord bin to hooks on the back of the modesty. Secure to bottom of wood top as shown in **Fig. 2**.



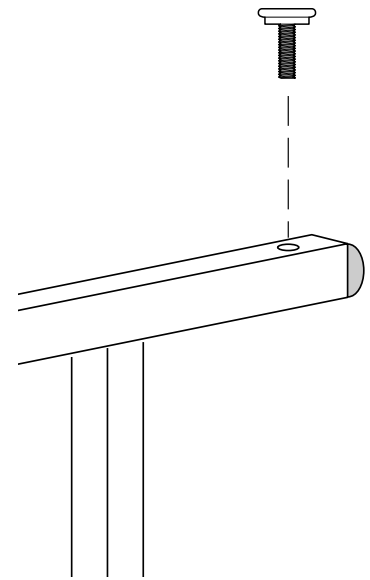
FF



HH

### STEP 5

Screw glides (JJ) into the bottom of the legs. Turn unit over, position and adjust glides to floor.



**Bretford**  
11000 Seymour Avenue  
Franklin Park, IL 60131  
TEL: 847.678.2545  
800.521.9614  
FAX: 847.678.0852  
800.343.1779

**Bretford Ltd.**  
Technology House  
7 Lake End Court, Taplow  
Bucks SL6 0JQ England  
TEL: 01628 603558  
FAX: 01628 604923