

Two New High Resolution Projectors with DICOM® Simulation Mode for Medical Imaging*

Designed to display DICOM® images used in medical education and training

REALiS WUX10 Mark II D

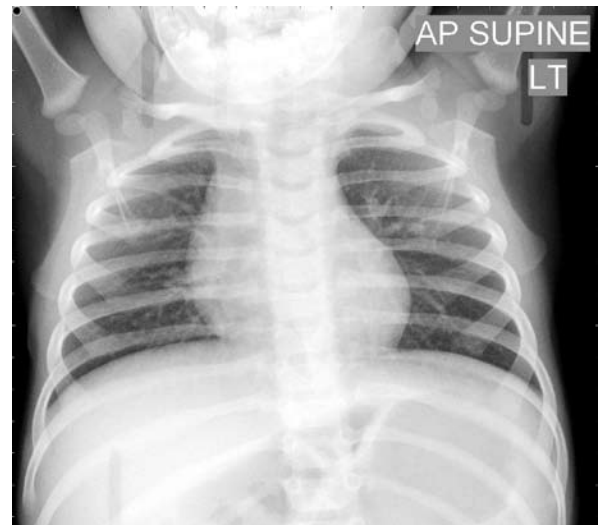
MULTIMEDIA PROJECTOR



- WUXGA Resolution (1920 x 1200)
- 2.3 Million Pixels
- Native Widescreen Display
- 3200 Lumens
- DICOM Simulation Mode
- HDMI Input (Version 1.3 Deep Color)
- DVI-I Input (HDCP Compliant)
- Built-in Network Connection
- Auto Setup (Focus, Input, Keystone and Screen Color Correction)

DICOM SIMULATION MODE

- Displays images to the DICOM® 14 standard
- Easy calibration with 21 preset levels of gamma
- Perfect for medical training and education



The built-in 12-bit gamma processing produces 4,096 gray levels, resulting in a smoother gradation

REALiS SX80 Mark II D

MULTIMEDIA PROJECTOR



- SXGA+ Resolution (1400 x 1050)
- 1.47 Million Pixels
- 3000 Lumens
- DICOM Simulation Mode
- HDMI Input (Version 1.3 Deep Color)
- DVI-I Input (HDCP Compliant)
- Built-in Network Connection
- PC-free Presentations, PictBridge
- Auto Setup (Focus, Input, Keystone and Screen Color Correction)

PATENTED AISYS OPTICAL ENGINE

- Enhances the performance of LCOS
- Exceptional color reproduction
- High brightness and contrast
- Rich detailed gradation

LCOS TECHNOLOGY

- High Resolution image display
- Virtually no screen door effect
- Film-like image quality
- Sharp display of small text

GENUINE CANON OPTICS

- Industry leader in optics technology
- Zoom lens allows for ease of placement
- Project up to 300 inch screen size
- Highly accurate image reproduction

Designed to reproduce medical images with crisp and clear detail. These new projectors are perfect for displaying the fine detail required when viewing X-ray's, CAT scans and MRIs from a PACS workstation. Incorporating LCOS technology, these high-performance projectors provide the image clarity and color performance necessary to meet the needs of professionals in the demanding medical education market.

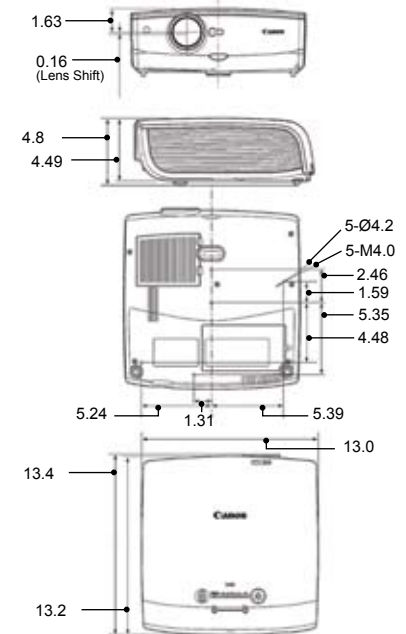
* The two projectors are not approved for medical diagnosis and should not be used for these purposes.

Canon

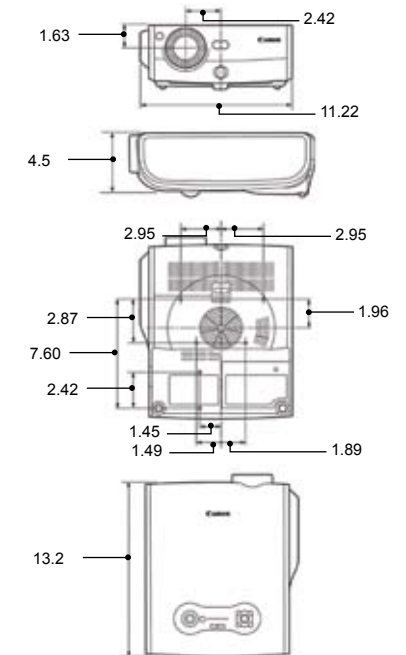
PRODUCT SPECIFICATION		SX80 Mark II D	WUX10 Mark II D	
	ITEM CODE	4232B005	4231B005	
	UPC CODE	660685017801	660685017788	
BASIC	IMAGING DEVICE	0.55" Reflective LCD Panels (LCOS x 3)	0.71" Reflective LCD Panels (LCOS x 3)	
	NATIVE ASPECT RATIO	4:3	16:10	
	NATIVE RESOLUTION	SXGA+ (1400 x 1050)	WUXGA (1920 x 1200)	
	BRIGHTNESS	3000 Lumens	3200 Lumens	
	UNIFORMITY	88%		
	CONTRAST	900:1	1000:1	
	VERTICAL KEYSTONE	+/- 20 degrees (Auto/Manual)		
OPTICS	PROJECTION LENS	F1.95 - 2.6, f=16.6 - 24.8mm	F1.85 - 2.65, f=21.8 - 31.9mm	
	LENS OFFSET	10:0, Fixed		
	ZOOM	1.5x Powered, 12x Digital zoom		
	FOCUS	Powered		
	SCREEN SIZE	40" - 300"		
	PROJECTION DISTANCE COVERAGE	3.9 - 29.9 ft (1.2 - 9.1m) 100": 9.8 - 16.1 ft. (3.0 - 4.9m)		
	THROW RATIO	1.48 - 2.18:1		
IMAGE ADJUSTMENTS	IMAGE MODE	Standard, Presentation, Movie, sRGB, Photo, DICOM Simulation Mode		
	COLOR ADJUST	Dynamic Gamma, 6-Axis (RGBCMY) Color Adjustment		
	WALL CORRECTION	Auto / Manual		
	IMAGE FLIP	None / Ceiling Mounted / Rear / Rear, Ceiling Mounted		
INPUT SIGNALS	TILT ANGLE	Adjusting foot up to 10 degrees		
	DIGITAL PC INPUT	SXGA+ / SXGA / WXGA / XGA / SVGA / VGA		
	SCANNING FREQUENCY	H:15~75 kHz, V:50~85 Hz		
	ANALOG PC INPUT	UXGA / SXGA+ / SXGA / WXGA / XGA / SVGA / VGA	WUXGA / UXGA / WSXGA+ / SXGA+ / WSXGA / SXGA / WXGA / XGA / SVGA / VGA	
	SCANNING FREQUENCY	H:15~75 kHz, V:50~85 Hz		
	DOT CLOCK	170MHz or less		
	VIDEO INPUT	NTSC / PAL / SECAM / NTSC4.43 / PAL-M / PAL-N		
	COMPONENT INPUT	1080p / 1080i / 1035i / 720p / 576p / 576i / 480p / 480i		
	DIGITAL VIDEO INPUT	HDMI: 1080p / 1080i / 1035i / 720p / 576p / 480p		
	TERMINALS	INPUT	DVI-I 29PIN	Digital PC input / Analog PC input / Digital Video input
HDMI			Version 1.3 Deep Color / Digital Video input & Audio input (Linear PCM)	
D-SUB 15PIN			Analog PC input	
5-BNC			D-sub 15 pin	D-sub 15 pin
MINI DIN 4PIN			S-Video input	N / A
RCA			Video input	
USB			USB Type 'A' Connection / PictBridge input	N / A
OUTPUT		STEREO MINI-JACK	Stereo Audio input x 3	
		D-SUB 15PIN	Analog PC output	N / A
CONTROL		STEREO MINI-JACK	Stereo Audio Output x 1	
		RS-232	D-sub 9pin	
BUILT-IN SPEAKER		RJ-45	Yes	
			1W (Mono)	
LAMP	TYPE	230W NSH (AC)	275W NSH (AC)	
	LAMP LIFE (NORMAL/QUIET)	2000 / 2500 Hours	2000 / 3000 Hours	
REMOTE CONTROL	SENSOR	Wireless Infrared, Front/Back		
RATINGS	FAN NOISE (NORMAL/QUIET)		35/31 dB	36/32 dB
	POWER	CONSUMPTION (NORMAL/ QUIET / STANDBY)	330W / 270W / 15W	400W / 330W / 11W
		VOLTAGE	AC100 to 240V, 50/60Hz	
	TEMPERATURE	OPERATING	41° to 95° F (5° to 35° C)	
		STORAGE	-22° to 104° F (-30° to 60° C) / 5%RH ~ 90%RH	
	DIMENSIONS (W x D x H)		13.0 x 13.4 x 4.8 in / (332 x 340 x 121 mm)	11.2 x 13.2 x 4.5 in / (284 x 336 x 114 mm)
WEIGHT		11.5 lbs (5.2 kg)	10.9 lbs (4.94 kg)	

PRODUCT DIMENSIONS (inches)

SX80 Mark II D



WUX10 Mark II D



PRODUCT ACCESSORIES

ITEM CODE	DESCRIPTION
2396B001	RS-LP04 REPLACEMENT LAMP (SX80 Mark II D)
2678B001	RS-LP05 REPLACEMENT LAMP (WUX10 Mark II D)
3098B001	RS-CL10 CEILING MOUNT (SX80 Mark II D)
3095B001	RS-CL07 CEILING MOUNT (WUX10 Mark II D)
3096B001	RS-CL08 CEILING EXTENSION : (16" - 24")
3097B001	RS-CL09 CEILING EXTENSION : (24" - 39")
7502A001	LV-CA29 DVI-D CABLE
1332V132	REALIS ROLLING PROJECTOR CASE

Specifications are subject to change without notice. Weight and dimensions are approximate. Canon and IMAGEANYWARE are registered trademarks of Canon Inc. in the United States and may also be a registered trademark in other countries. DICOM is the registered trademark of the National Electrical Manufacturers Association for its standards publications relating to digital communications of medical information. Other names and products not mentioned above maybe registered trademarks or trademarks of their respective companies. Error and omissions expected. Projected images simulated.

Warning: Unauthorized recording of copyrighted materials may infringe on the rights of copyright owners and be contrary to copyright laws ©2009 Canon U.S.A., INC.

©2009 Canon U.S.A., INC. 0135W259 6/09 PRINTED IN U.S.A.

Canon

image*ANYWARE*

1-800-OK-CANON
usa.canon.com/projectors

Canon U.S.A., Inc.
One Canon Plaza
Lake Success, NY 11042 U.S.A.

Canon Canada, Inc.
6390 Dixie Road
Mississauga, Ontario L5T 1P7 Canada

USA.CANON.COM/PROJECTORS