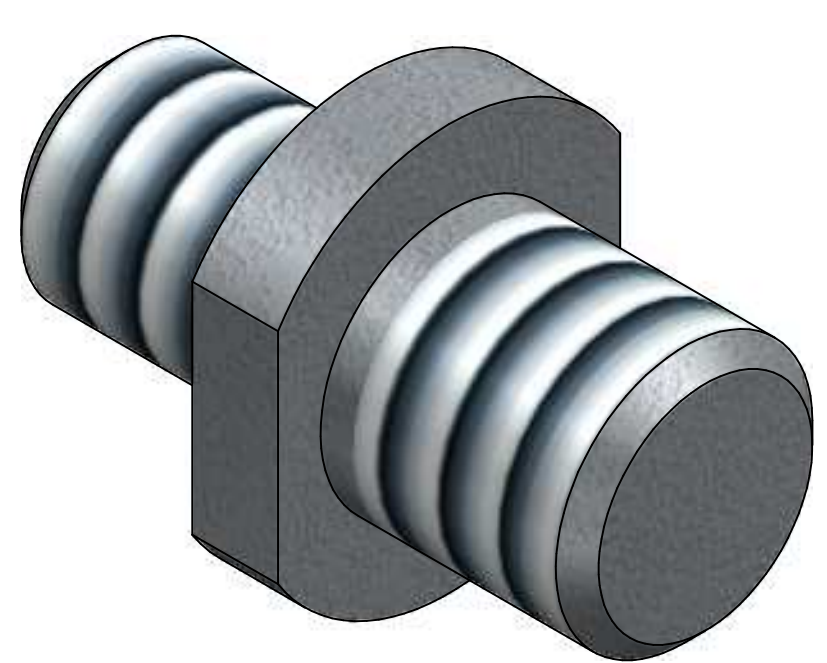
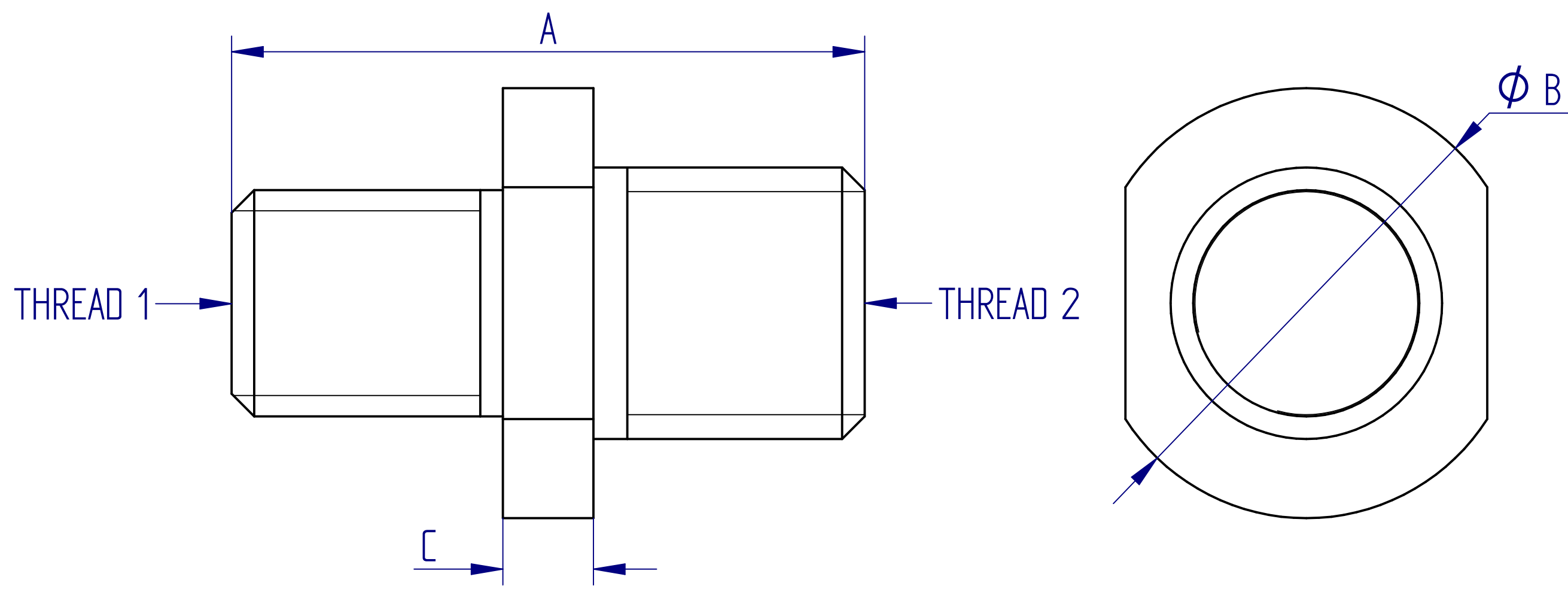


ALL DIMENSIONS ARE IN MILLIMETRES
FOLLOWED BY INCHES: MM (IN")



DRAWING APPLIES TO PT NO:
432-331,333,335,364 5:1 @ A3

432-XXX M-M Thread Adaptors

Mecmesin
testing to perfection