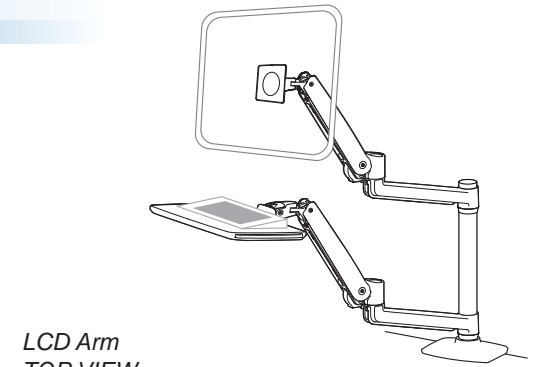
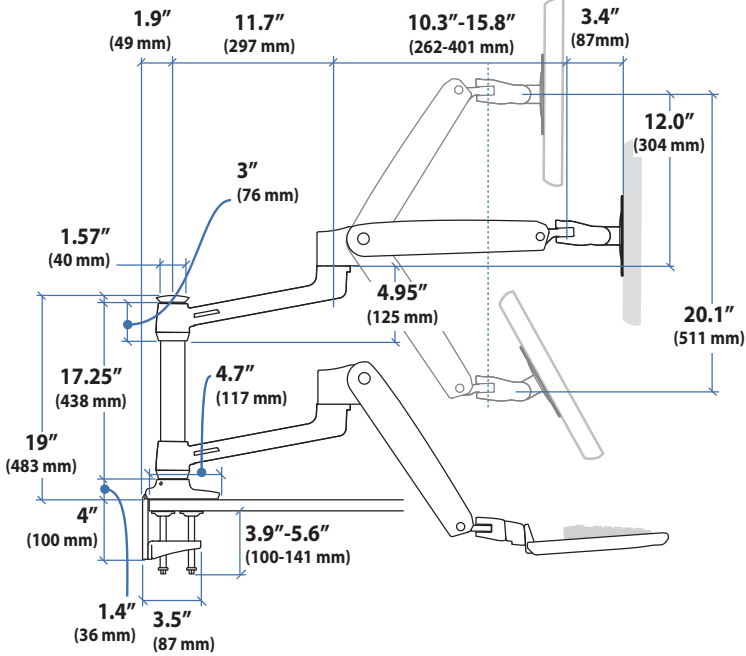


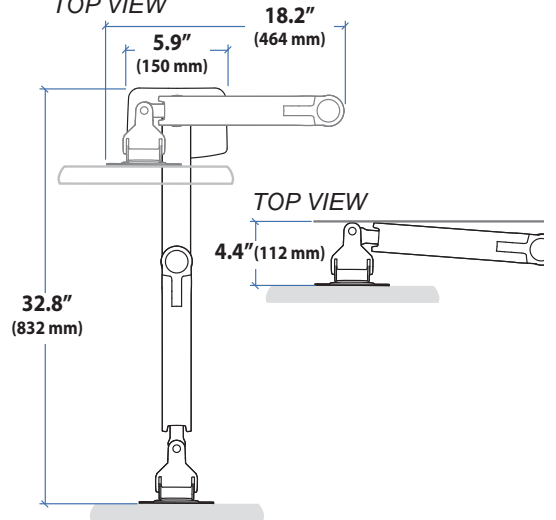
WorkFit LX, Sit-Stand Desk System

Dimensions

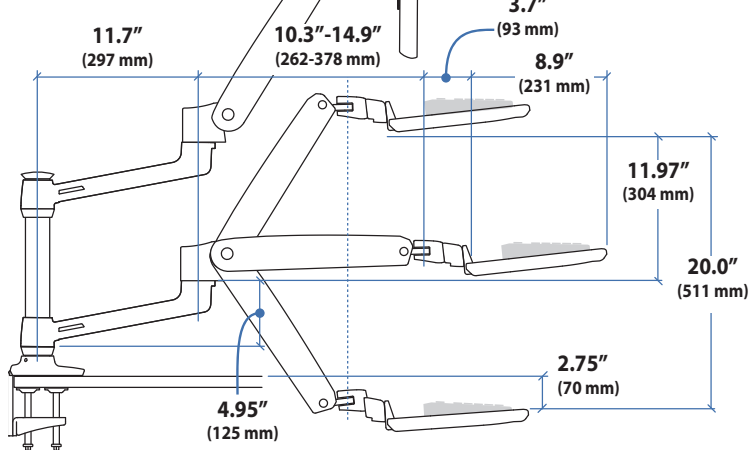
SIDE VIEW



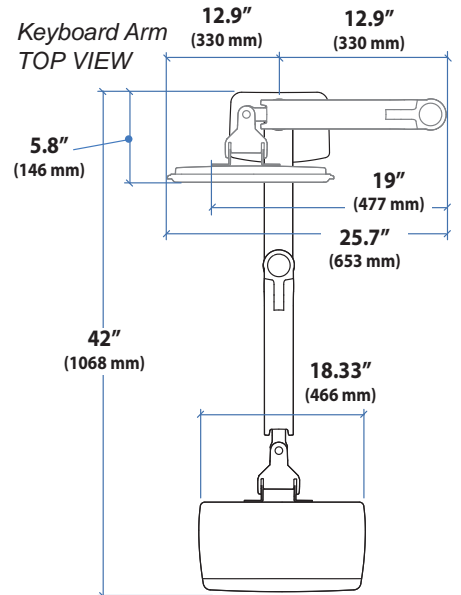
LCD Arm TOP VIEW



SIDE VIEW



Keyboard Arm TOP VIEW



© 2014 Ergotron, Inc. rev. 04/07/2014 DIM-LXDeskCombo Content is subject to change without notification

Americas Sales and Corporate Headquarters

St. Paul, MN USA
 (800) 888-8458
 +1-651-681-7600
 www.ergotron.com
 sales@ergotron.com

EMEA Sales

Amersfoort, The Netherlands
 +31 33 45 45 600
 www.ergotron.com
 info.eu@ergotron.com

APAC Sale

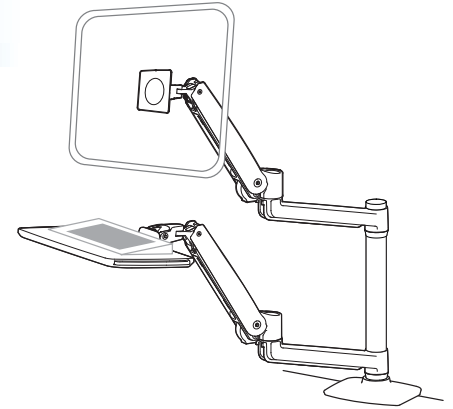
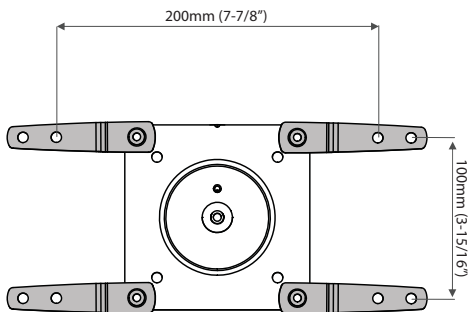
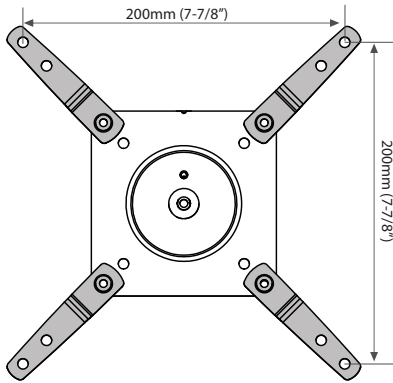
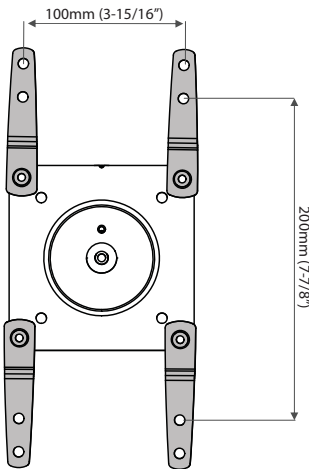
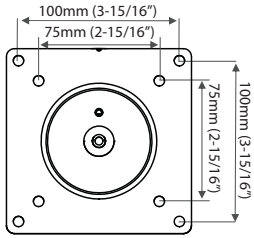
Tokyo, Japan
 www.ergotron.com
 apaccustomerservice@ergotron.com

Worldwide OEM Sales

www.ergotron.com
 info.oem@ergotron.com

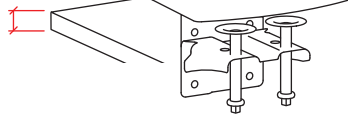


DISPLAY ATTACHMENT

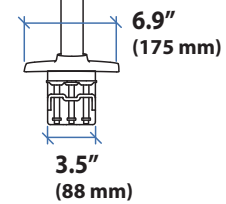


CLAMP

0.78"-2.56"
(20-65mm)



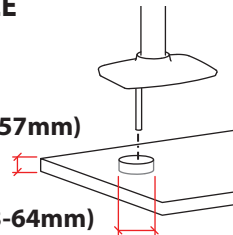
FRONT VIEW



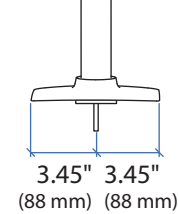
GROMMET HOLE

0.78"-2.25" (20-57mm)

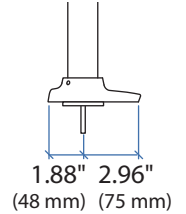
0.5"-2.5" (13-64mm)



FRONT VIEW



SIDE VIEW

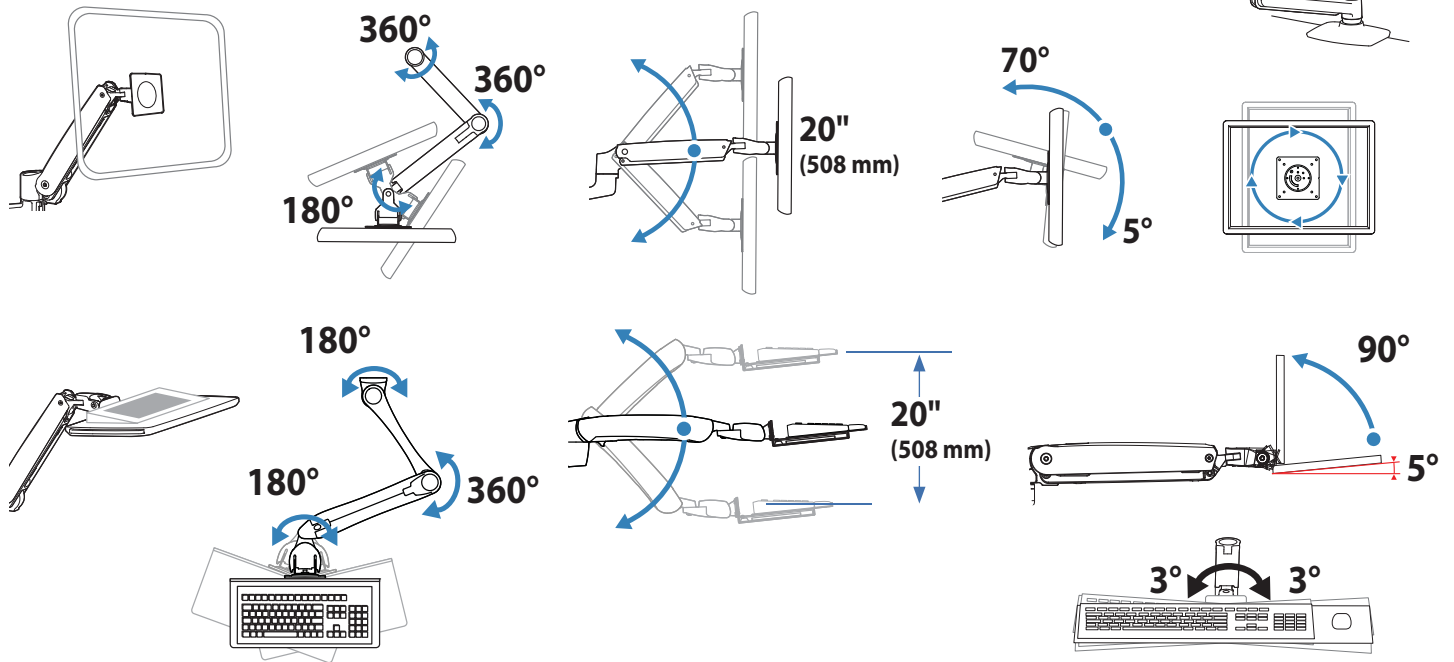


Ergotron®

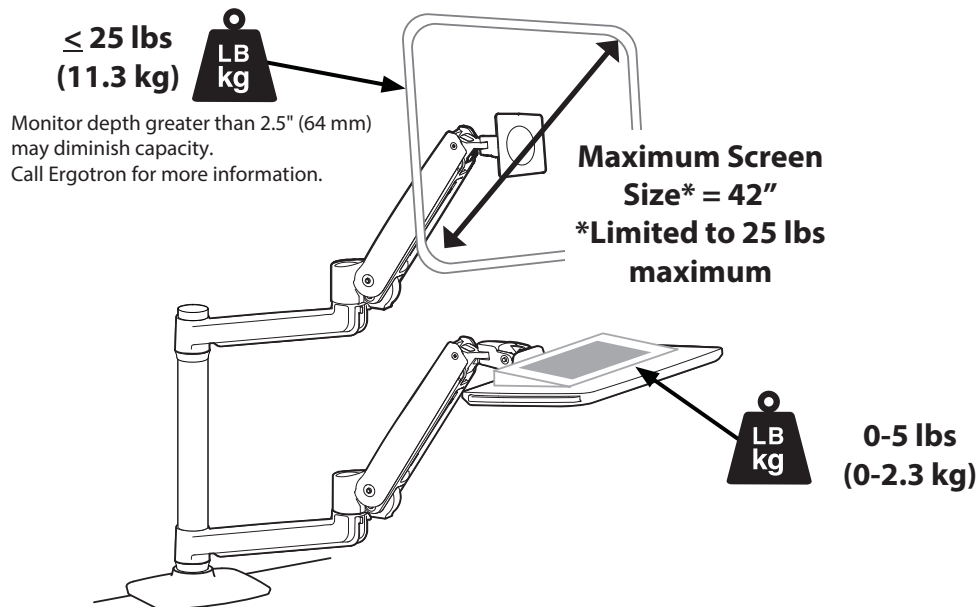
WorkFit LX, Sit-Stand Desk System

Dimensional & Range of Motion Illustrations

Range of Motion



Weight Capacity



© 2014 Ergotron, Inc. rev. 04/07/2014 DIM-LXDeskCombo Content is subject to change without notification

Americas Sales and Corporate Headquarters

St. Paul, MN USA
 (800) 888-8458
 +1-651-681-7600
 www.ergotron.com
 sales@ergotron.com

EMEA Sales

Amersfoort, The Netherlands
 +31 33 45 45 600
 www.ergotron.com
 info.eu@ergotron.com

APAC Sale

Tokyo, Japan
 www.ergotron.com
 apaccustomerservice@ergotron.com

Worldwide OEM Sales

www.ergotron.com
 info.oem@ergotron.com

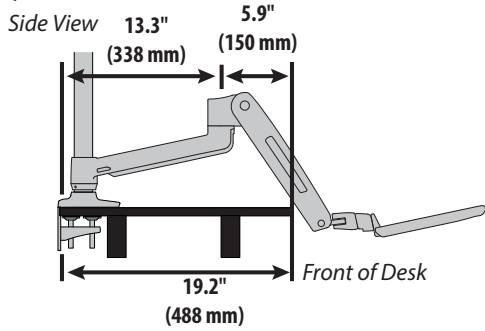


WorkFit LX, Sit-Stand Desk System

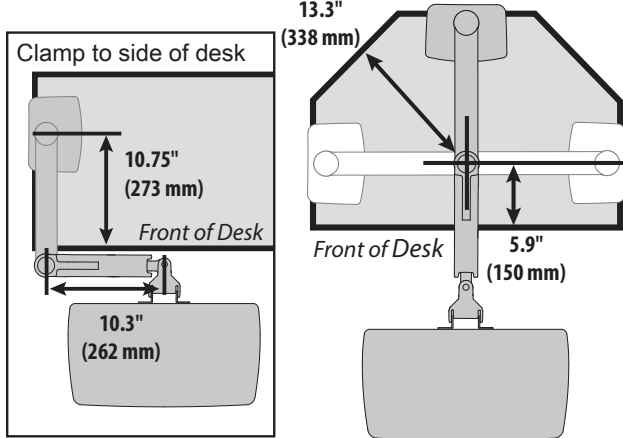
Desk Placement

Maximum dimensions to allow keyboard arm to lower below front of desk.

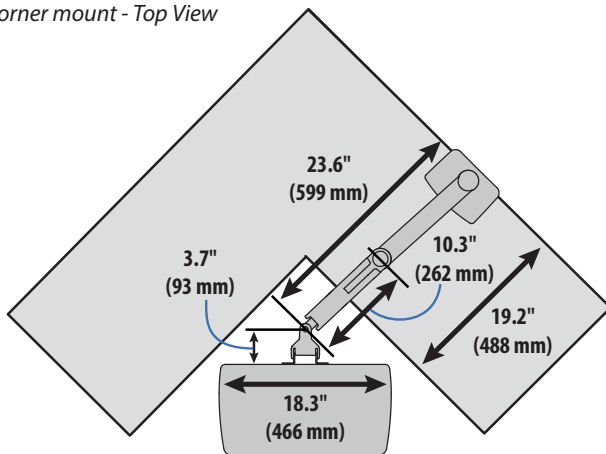
Clamp to rear of desk



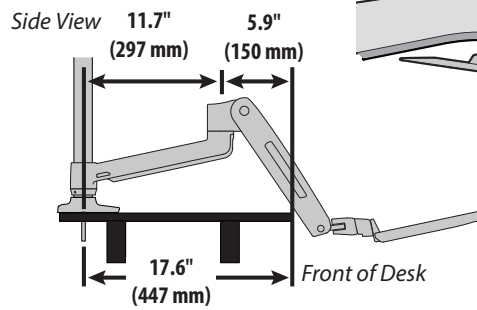
Top View



Corner mount - Top View

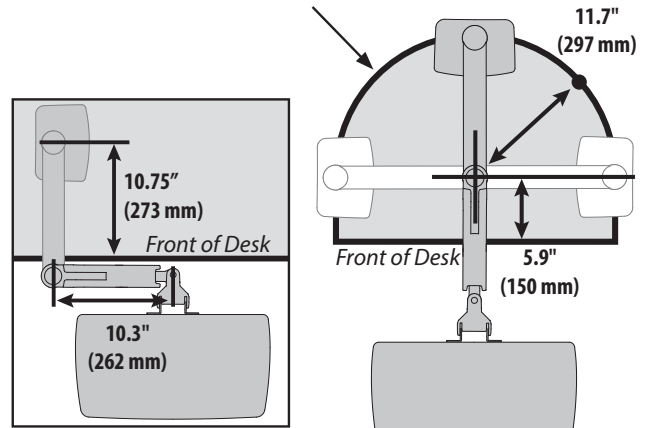


Grommet Hole



Top View

Grommet hole can be located anywhere along this arch.



Corner mount - Top View

