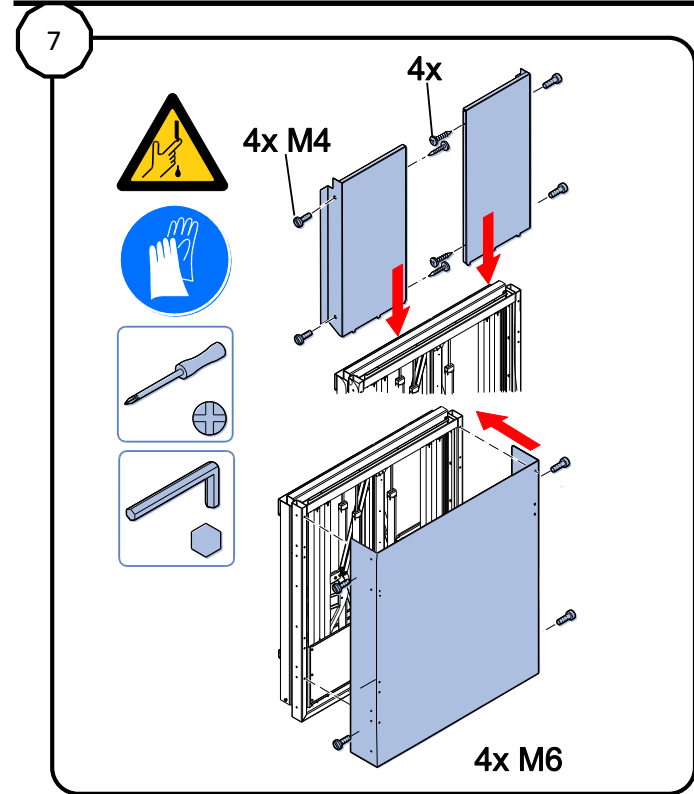


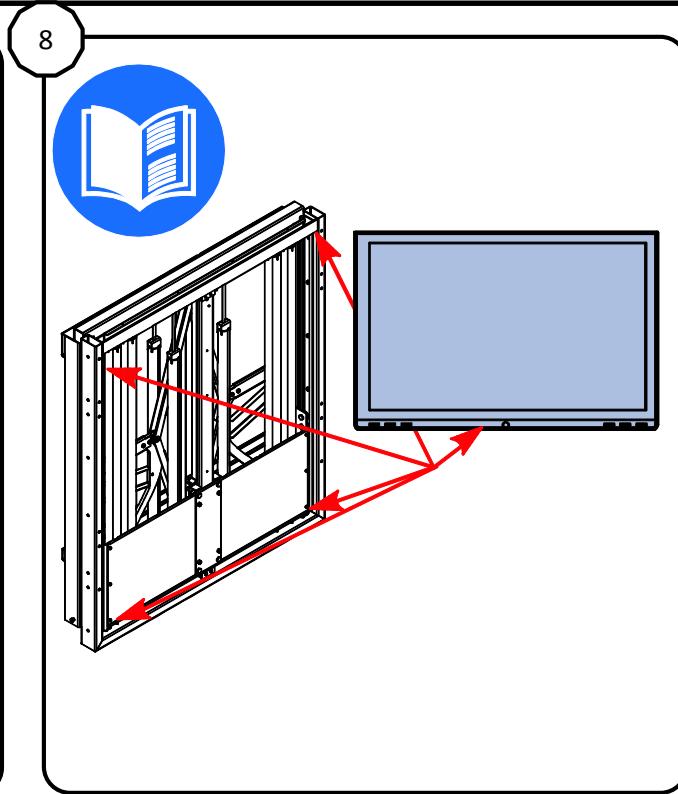


BalanceBox®650

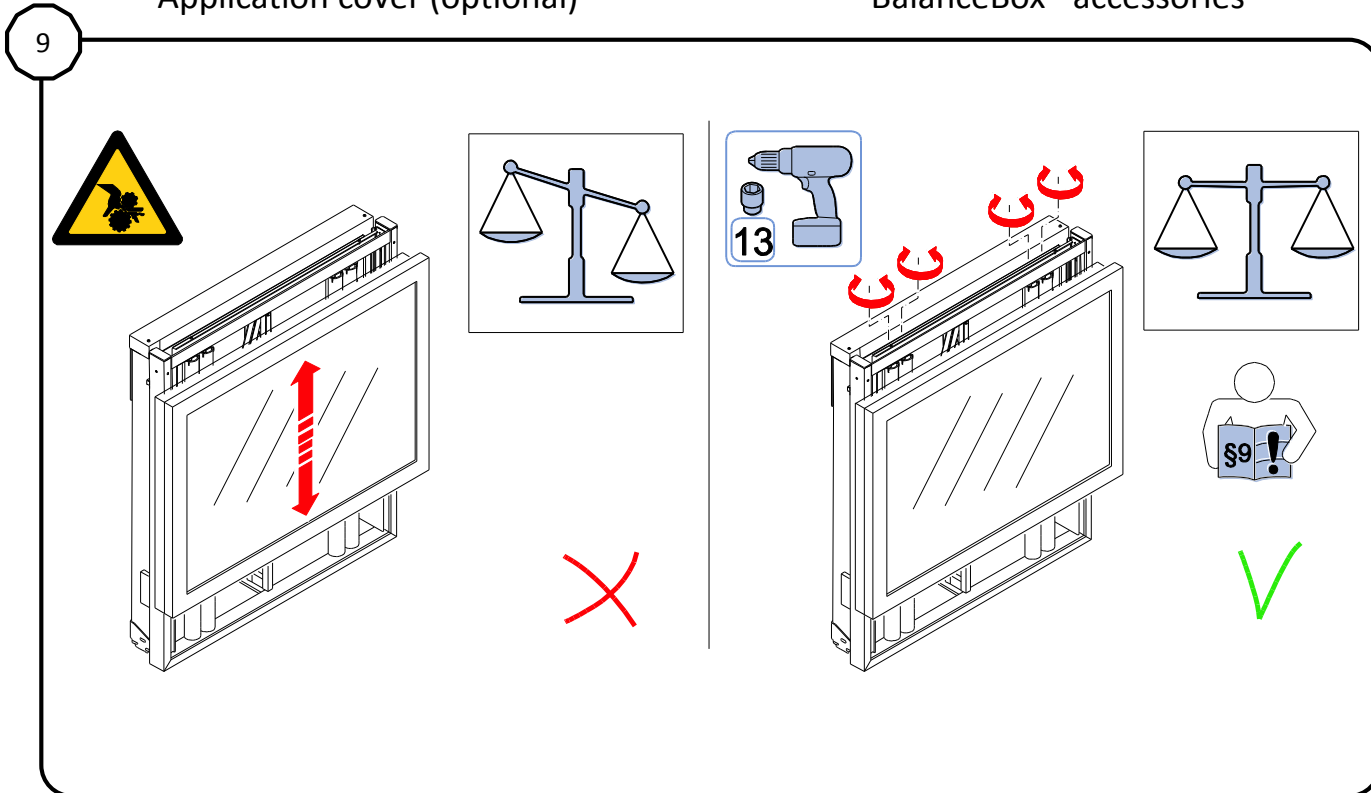
For use with large touchscreens



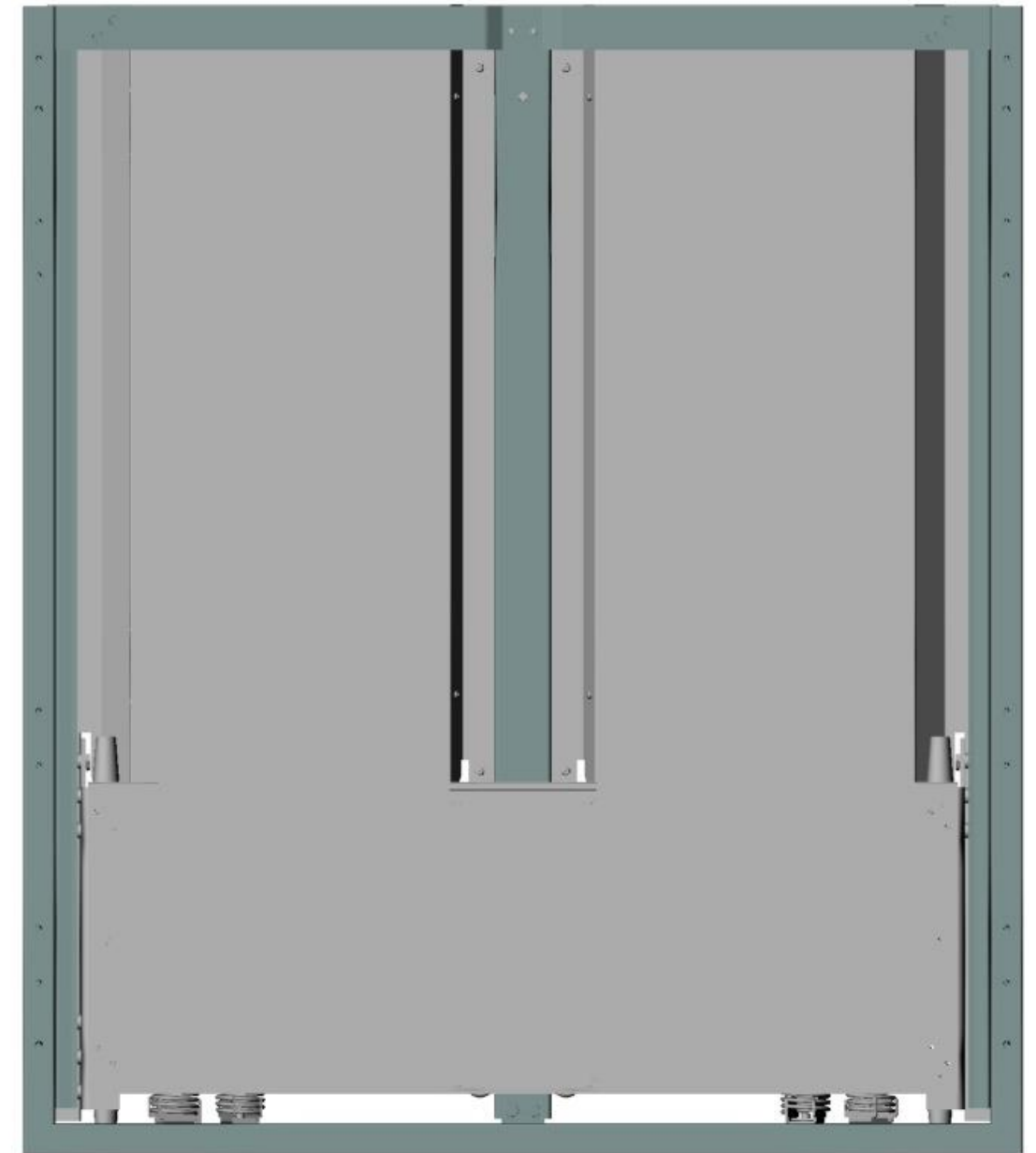
Mount wall frame covers and Application cover (optional)



Mount the touchscreen, use BalanceBox® accessories



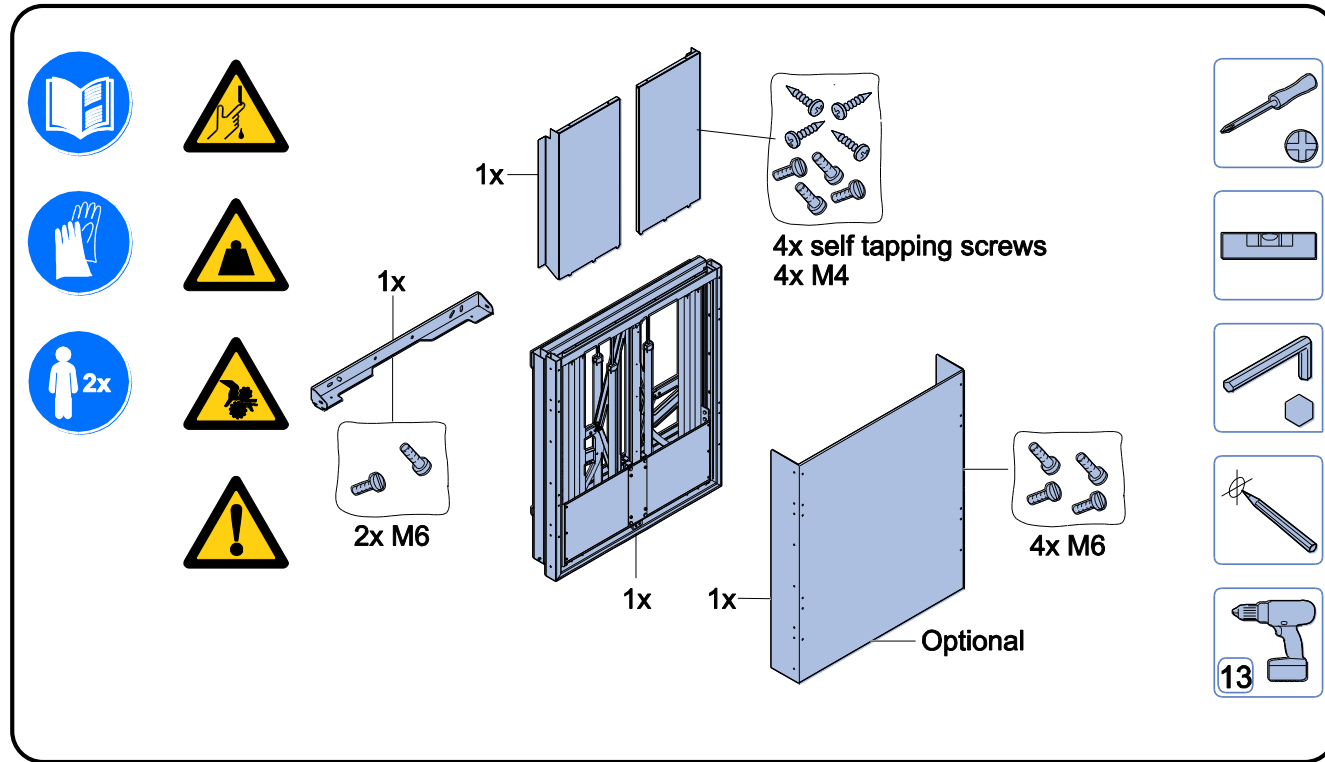
Set the balance, use a drill-driver with a 13 mm socket on 2 outer springs marked green
Drive counter clockwise 5 seconds each until balanced



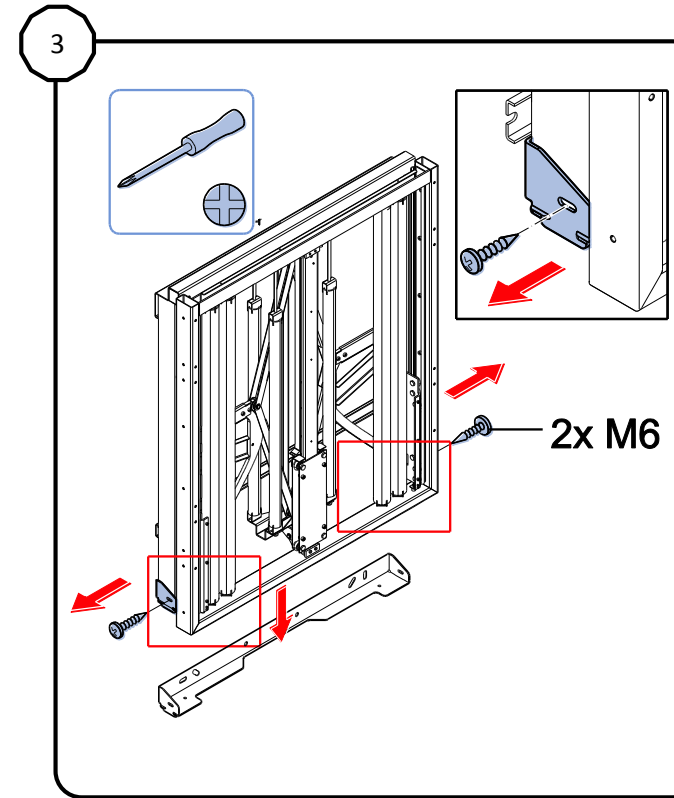
The information in this leaflet can be subject to changes.

Partnr: 902811-00

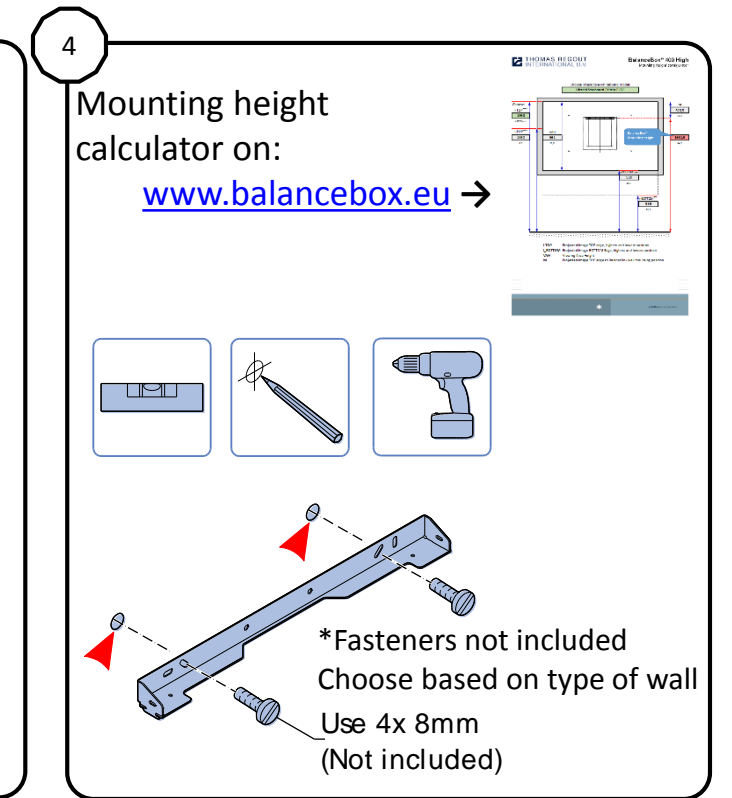




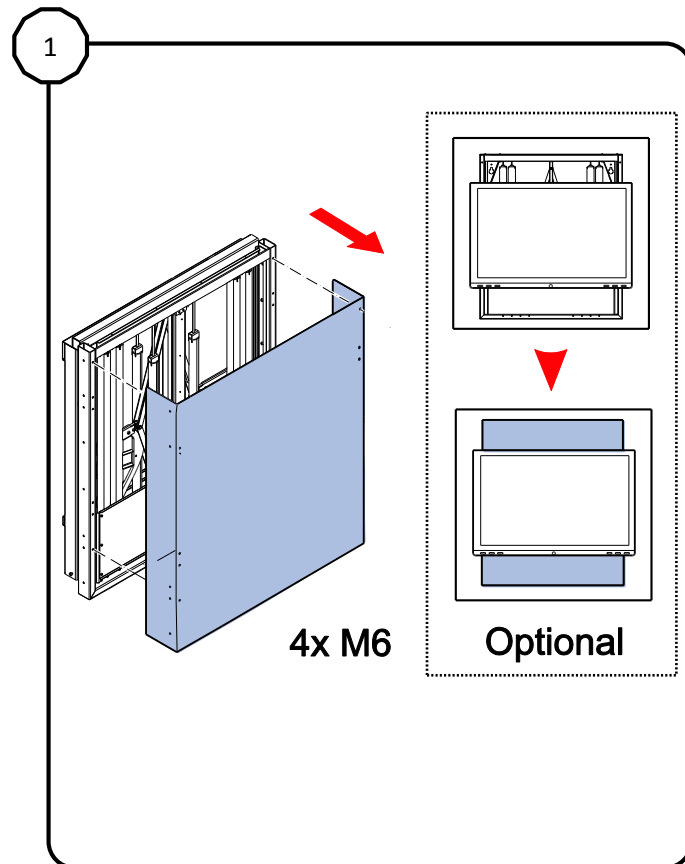
Safety warnings, contents of the box, tools needed



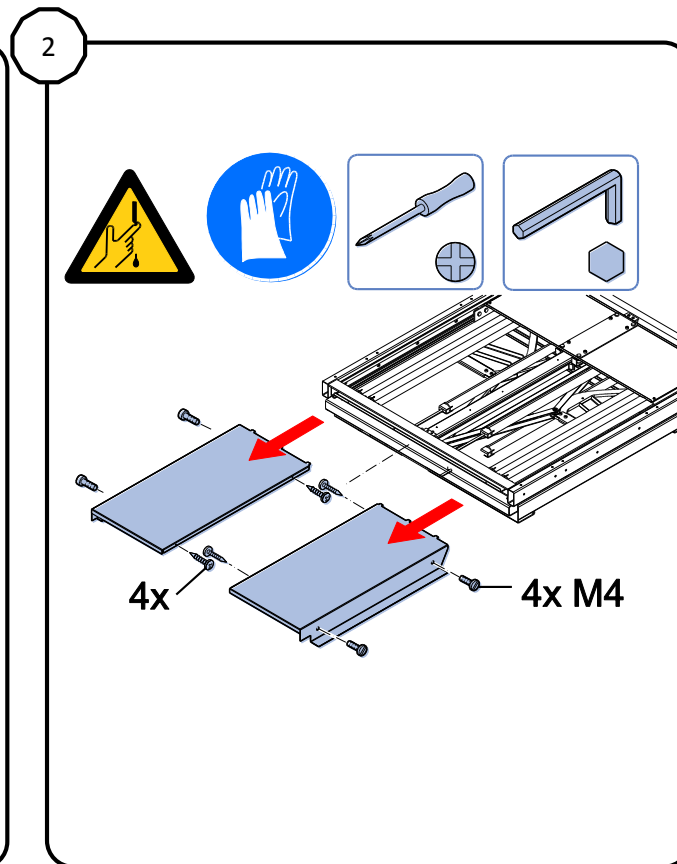
Remove wall bracket



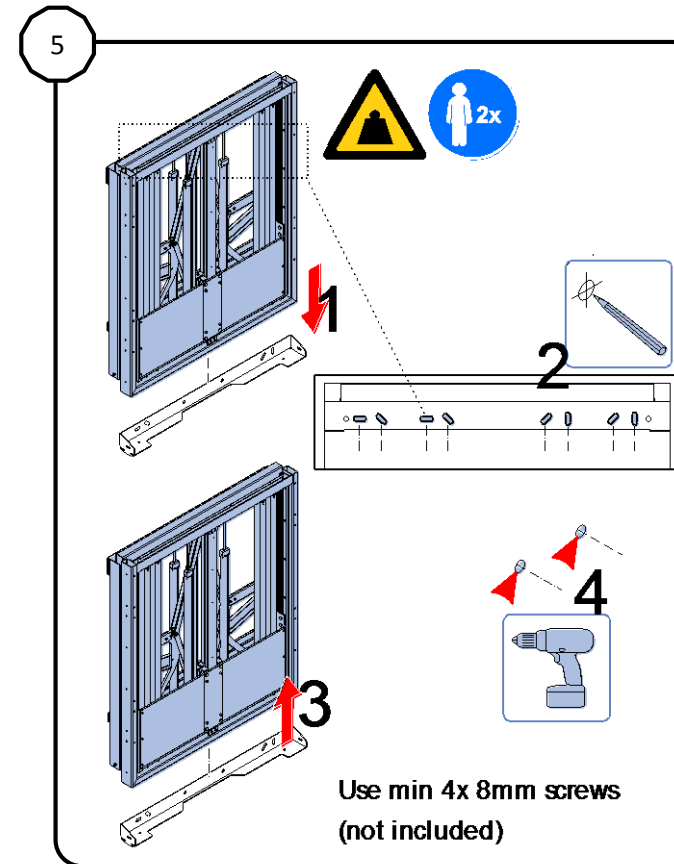
Mount bottom wall bracket level to the wall



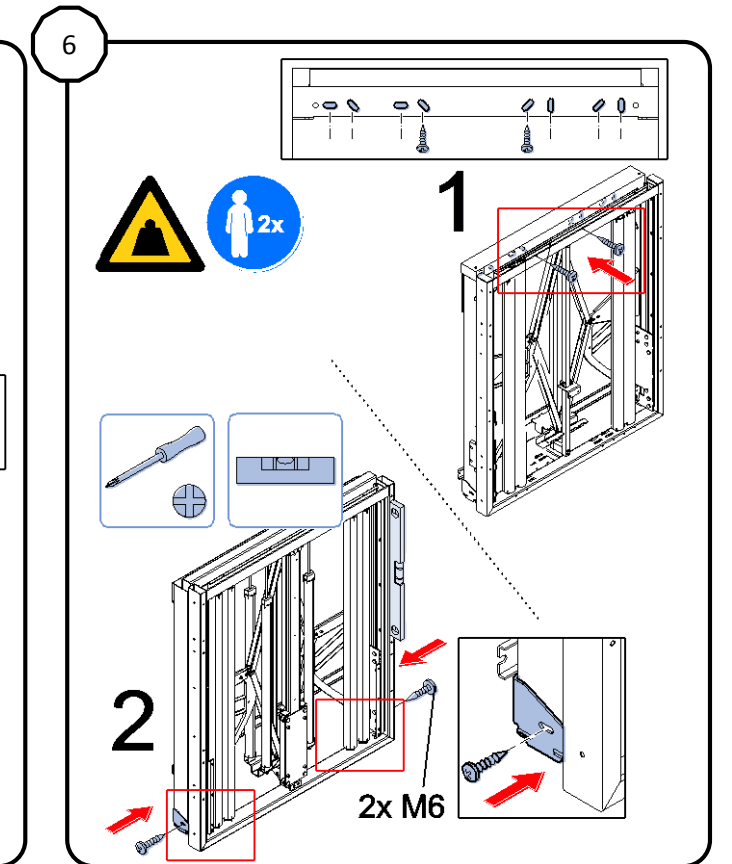
Remove application cover (optional)



Remove wall-frame covers



Lift BalanceBox on wall bracket, mark top holes. Take BalanceBox down and drill holes



Fix BalanceBox at the top. Then level and fix at the bottom

