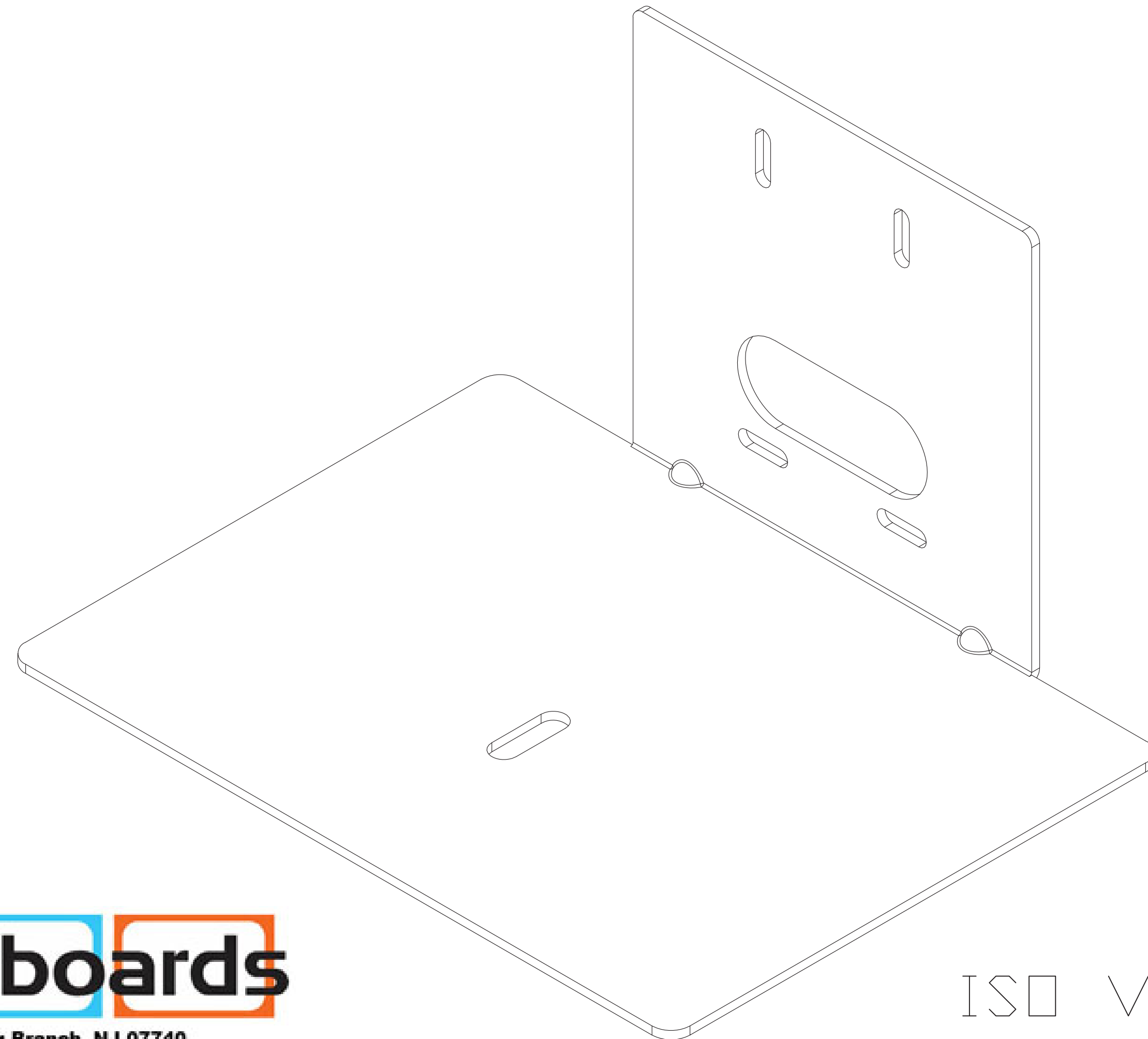
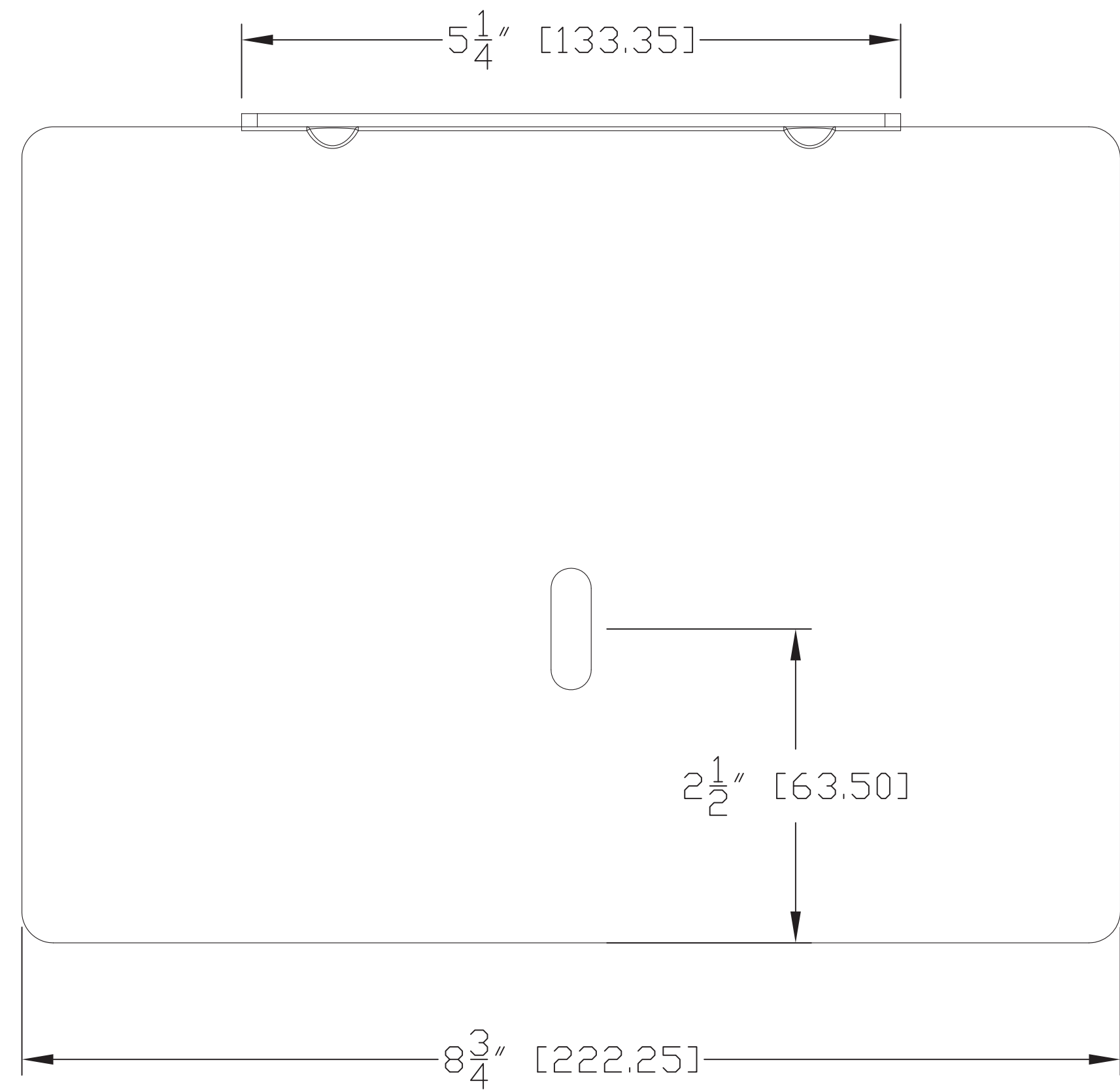


Top View

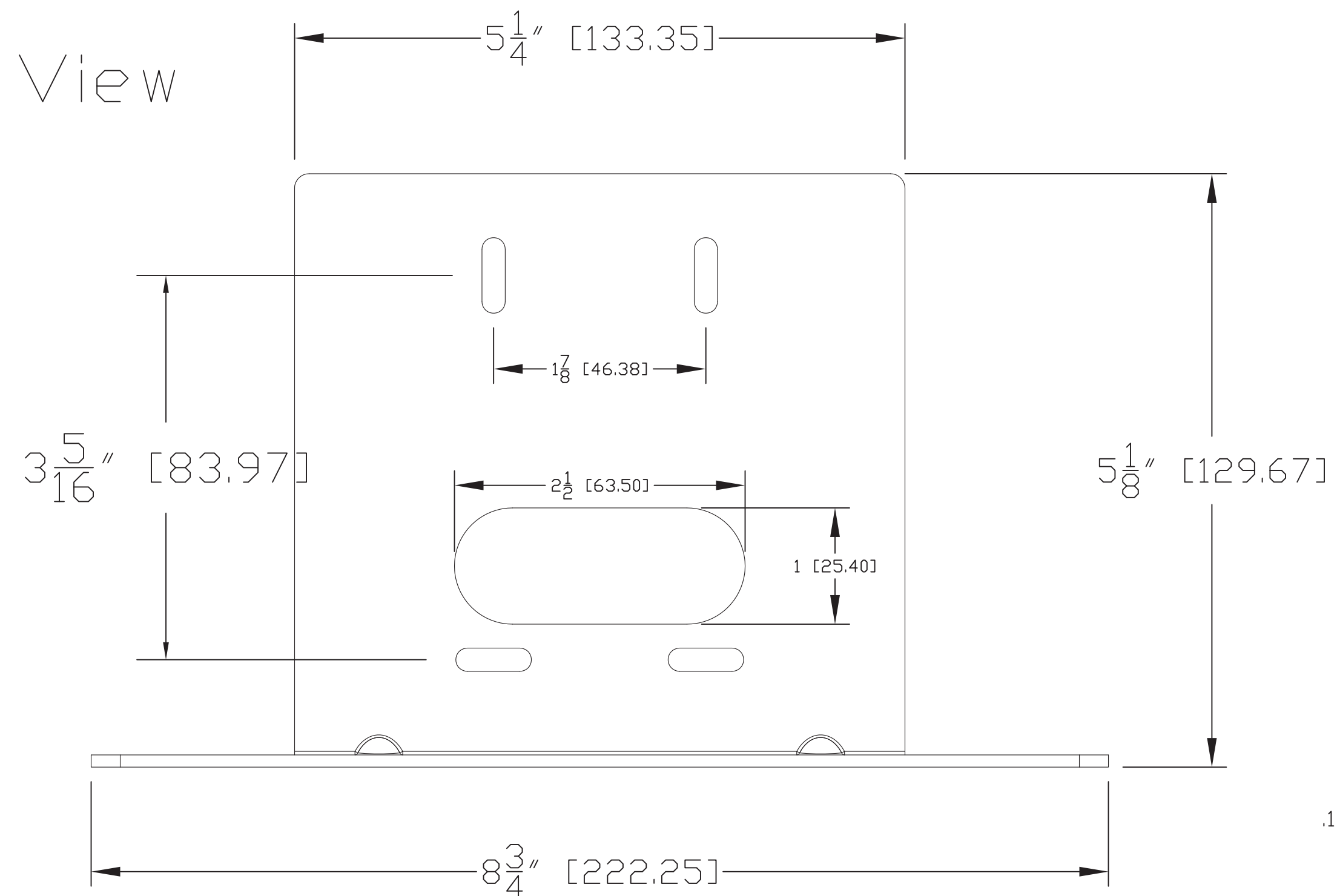


ISO View

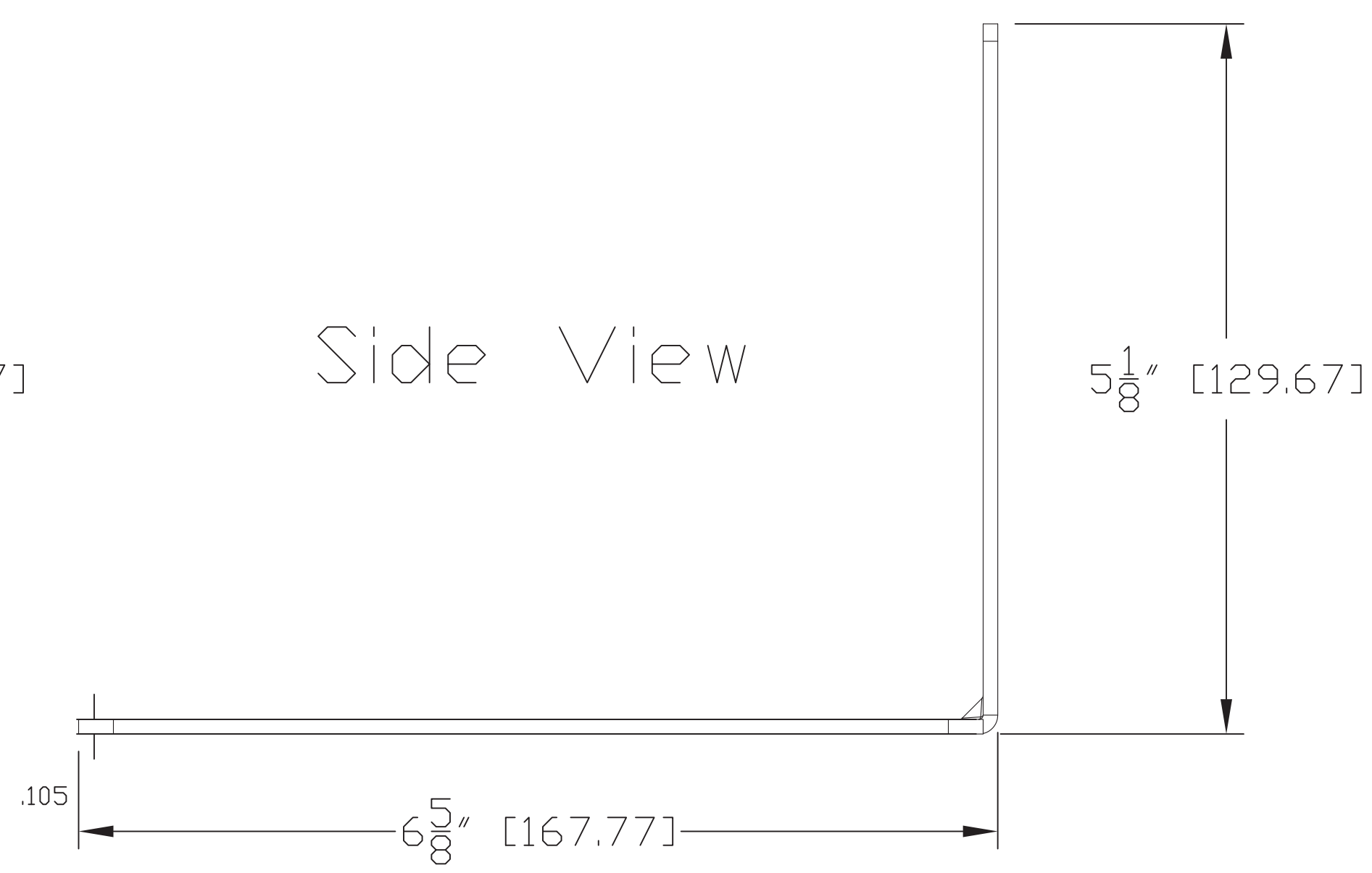


205 Westwood Ave, Long Branch, NJ 07740
 Phone: 866-94 BOARDS (26273) / (732)-222-1511
 Fax: (732)-222-7088 | E-mail: sales@touchboards.com

Front View

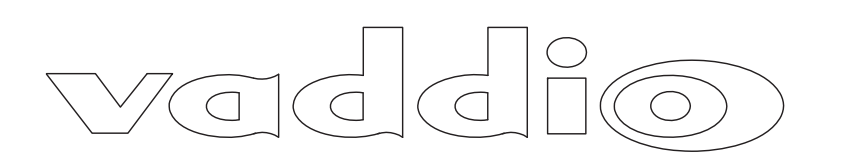


Side View



GENERAL NOTES:

DIMENSIONS ARE IN INCHES (mm) UNLESS OTHERWISE NOTED.
 DO NOT DISTRIBUTE WITHOUT EXPRESS WRITTEN PERMISSION
 OF VADDIO. DUE TO OUR CONTINUING EFFORTS TO ENHANCE
 OUR PRODUCTS, WE RESERVE THE RIGHT TO CHANGE
 SPECIFICATIONS WITHOUT PRIOR NOTICE OR OBLIGATION.



UNLESS OTHERWISE NOTED DIMENSIONAL LIMITS APPLY AFTER FINISH MACHINED SURFACES 125 EDGES & FILLETS R .05/205 FRACTIONS ± 1/32 ANGLES ± 1°		THIS DRAWING, INCLUDING ALL SUBJECT MATTERS INDICATED THEREON OR DERIVED THEREFROM, COMPRISES PROPRIETARY INFORMATION AND IS THE EXPRESS PROPERTY OF VADDIO. All Rights Reserved-Copyright 2006	
DEC. XI ± .015 XXX ± .005 XXXX ± .000		Title 535-2000-217 for Cisco Precision HD PTZ Camera	
DRAWN JAS	CHECKED RAR	APPROVED RAR	DATE 3/16/07
MATERIAL CRS SHT, .105 (12 GA), 1008		SCALE 1:1	ANSI D
FINISH PAINT, BLACK FLAT POWDER COAT, PCC# 806-394		SHEET 1-1	DRAWING NO. 217
TITLE Thin Profile Wall Mount for Cisco Precision HD		REV. B	