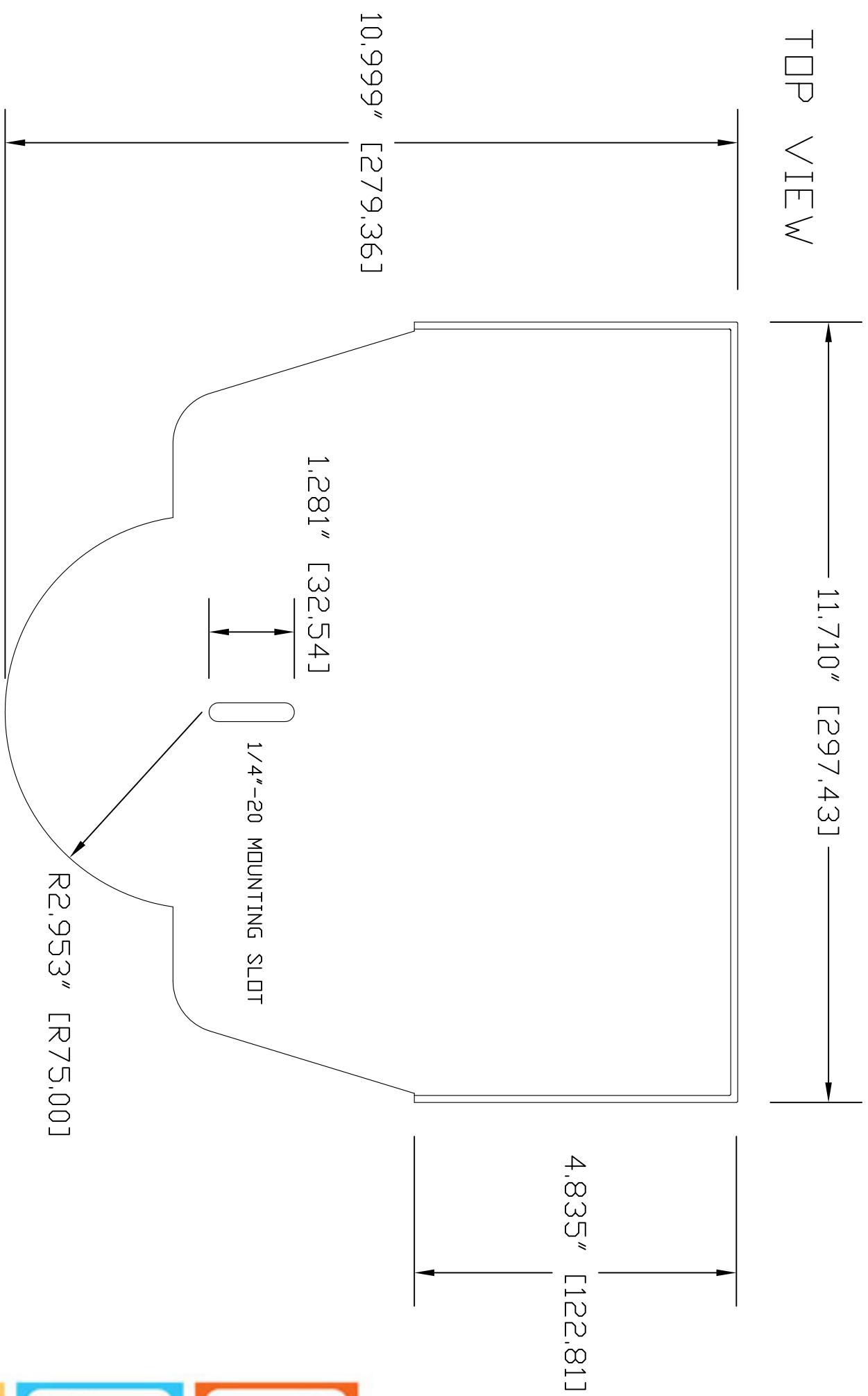
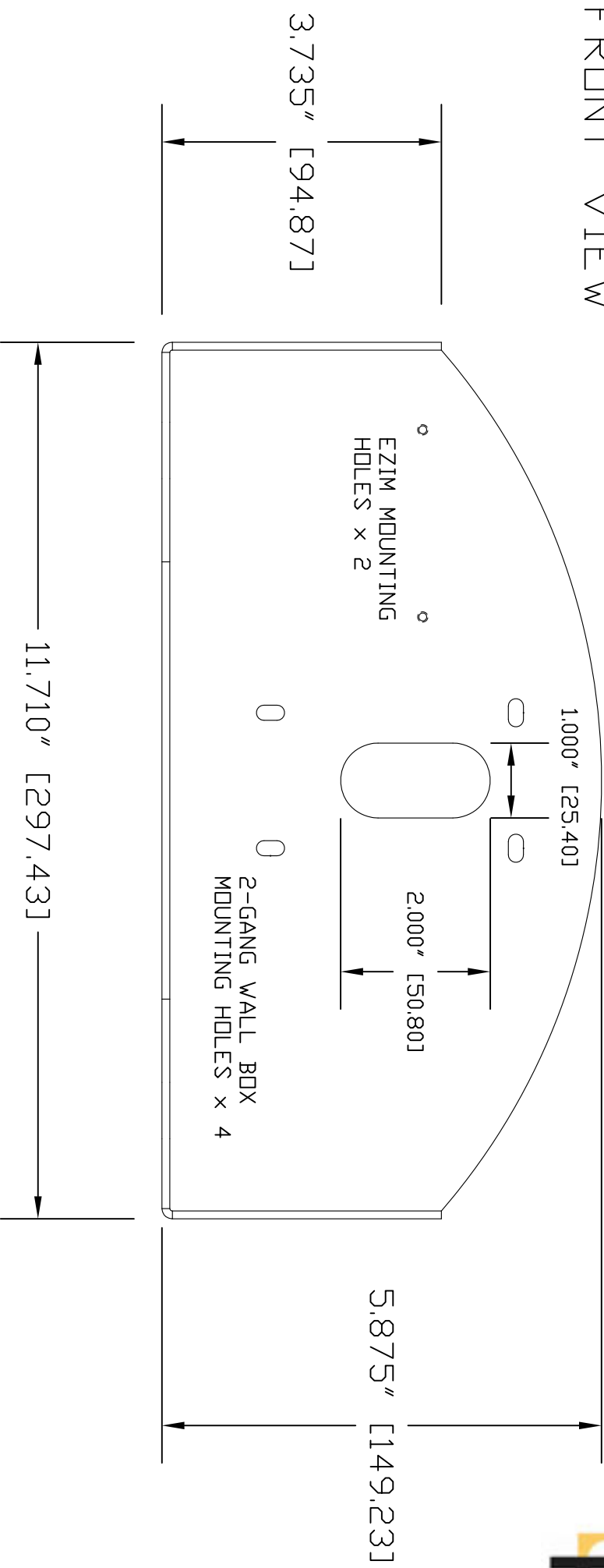


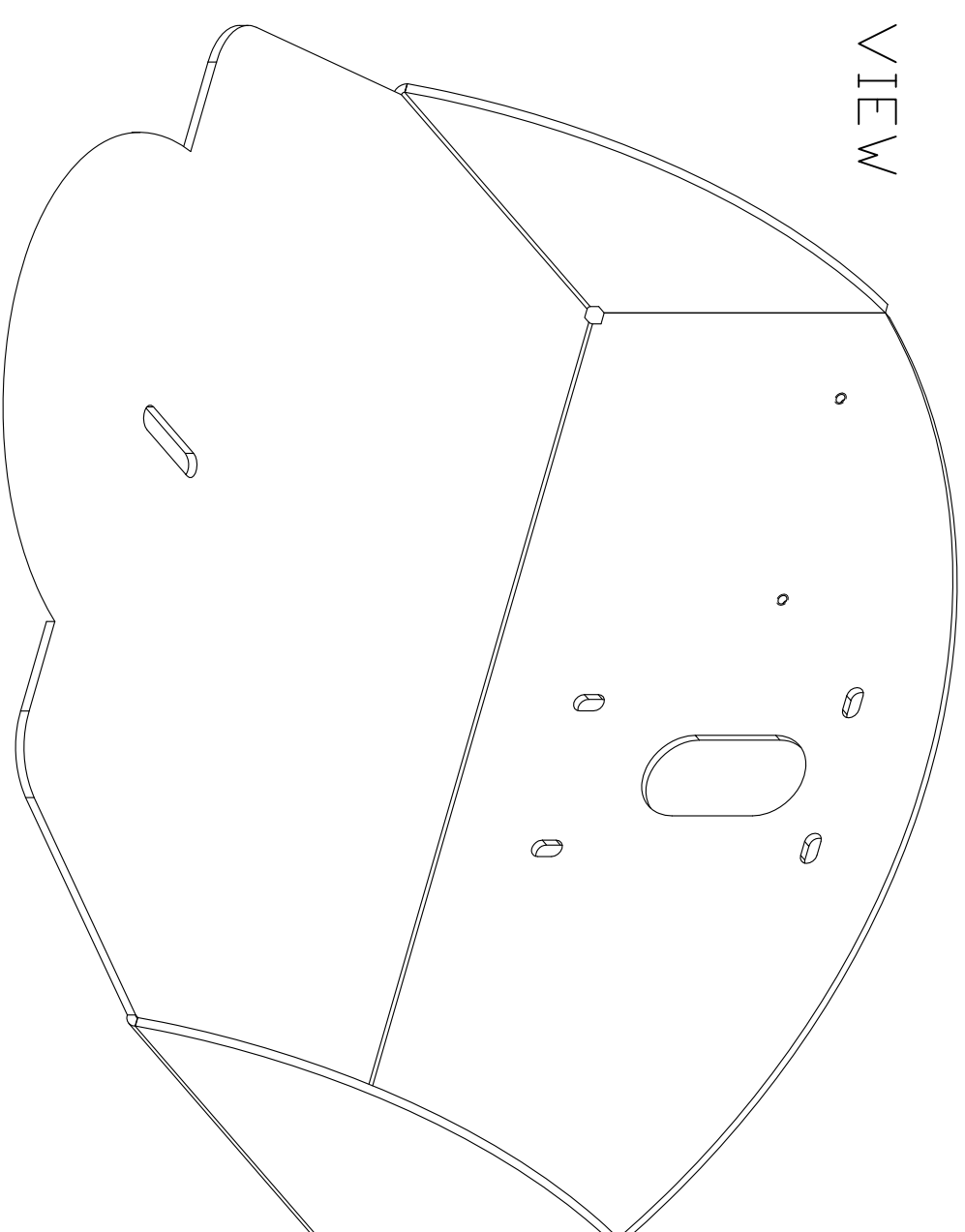
TOP VIEW



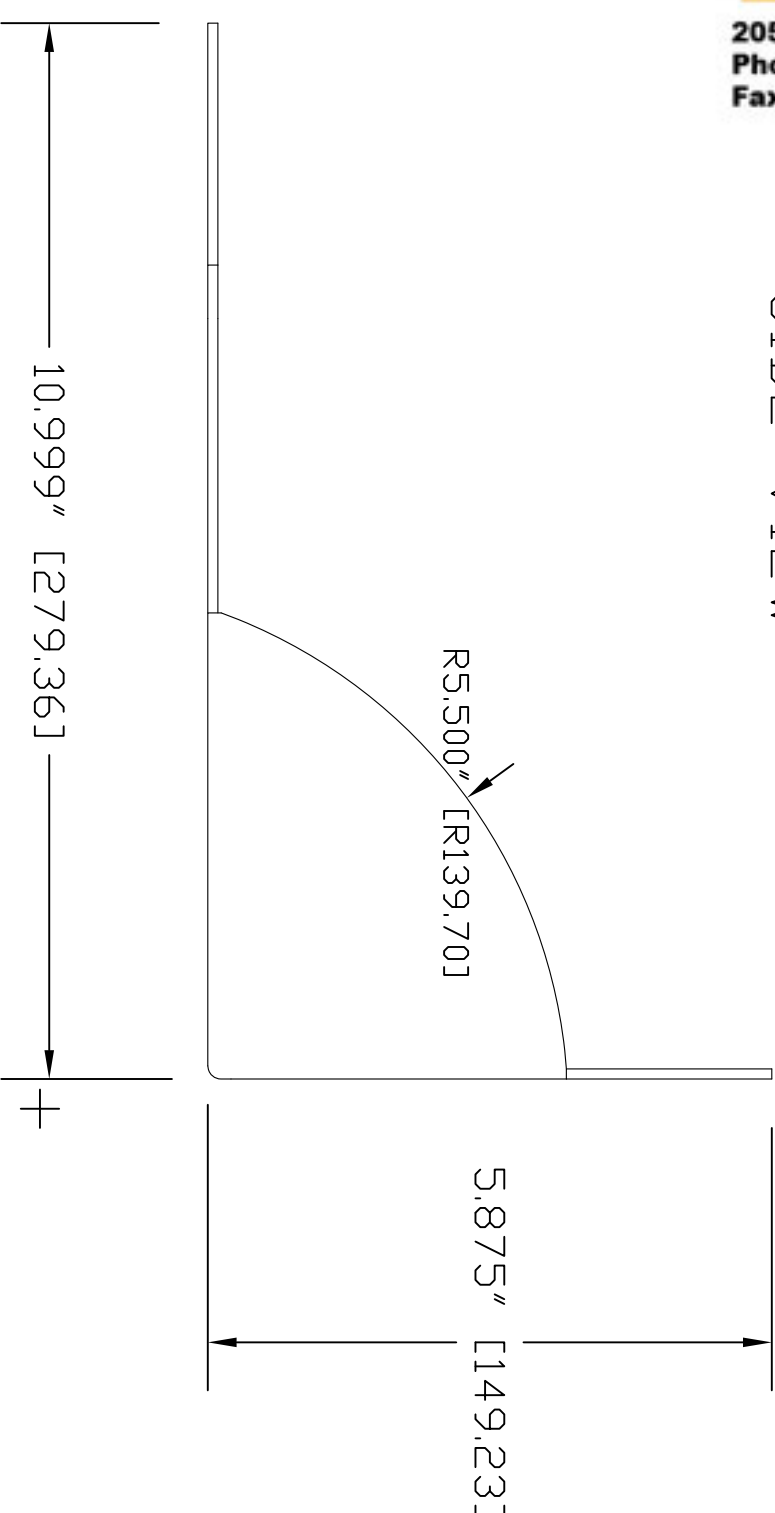
FRONT VIEW



ISD VIEW

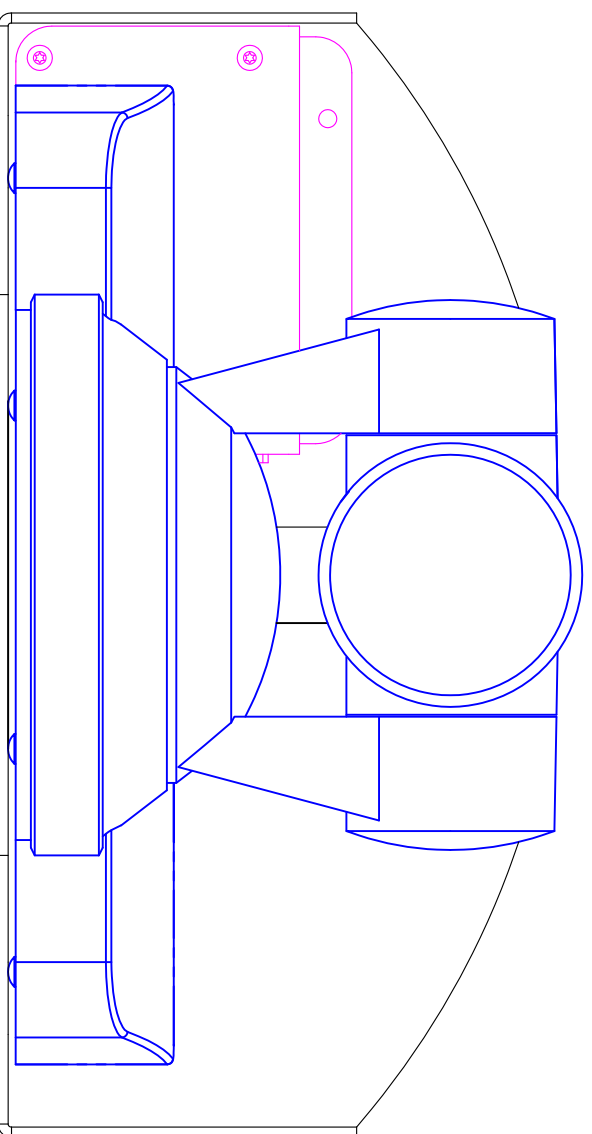


SIDE VIEW



205 Westwood Ave, Long Branch, NJ 07740
 Phone: 866-94 BOARDS (26273) / (732)-222-1511
 Fax: (732)-222-7088 | E-mail: sales@touchboards.com

BONUS FIGURE:
 EVI-HD1 AND
 EZIM MOUNTED



GENERAL NOTES:
 DIMENSIONS ARE IN INCHES (mm) UNLESS OTHERWISE NOTED.
 DO NOT DISTRIBUTE WITHOUT EXPRESS WRITTEN PERMISSION
 OF VADDIO. DUE TO OUR CONTINUING EFFORTS TO ENHANCE
 OUR PRODUCTS, WE RESERVE THE RIGHT TO CHANGE
 SPECIFICATIONS WITHOUT PRIOR NOTICE OR OBLIGATION.

WallView PRD/CCU HD1 Mount

PART NUMBER 535-2000-227, MULTIPLE VIEWS
 FITS WALLVIEW PRD/CCU HD1 and EZIM (EZCamera Interface Module)

DRAWN WLF/RAR CHECKED APPROVED RAR DATE 9/30/2008

THIS DRAWING, INCLUDING ALL SUBJECT MATTERS INDICATED THEREON OR DERIVED THEREFROM,
 CONSTITUTES PROPRIETARY INFORMATION AND IS THE EXPRESS PROPERTY OF VADDIO.
 All Rights Reserved - Copyright 2008

MATERIALS	12 GA STEEL	SCALE	1:2	DRAWING No.	341-754	REV	B
FINISH	BLACK FLAT POWDERCOAT PCC # 806-394	SIZE	C				