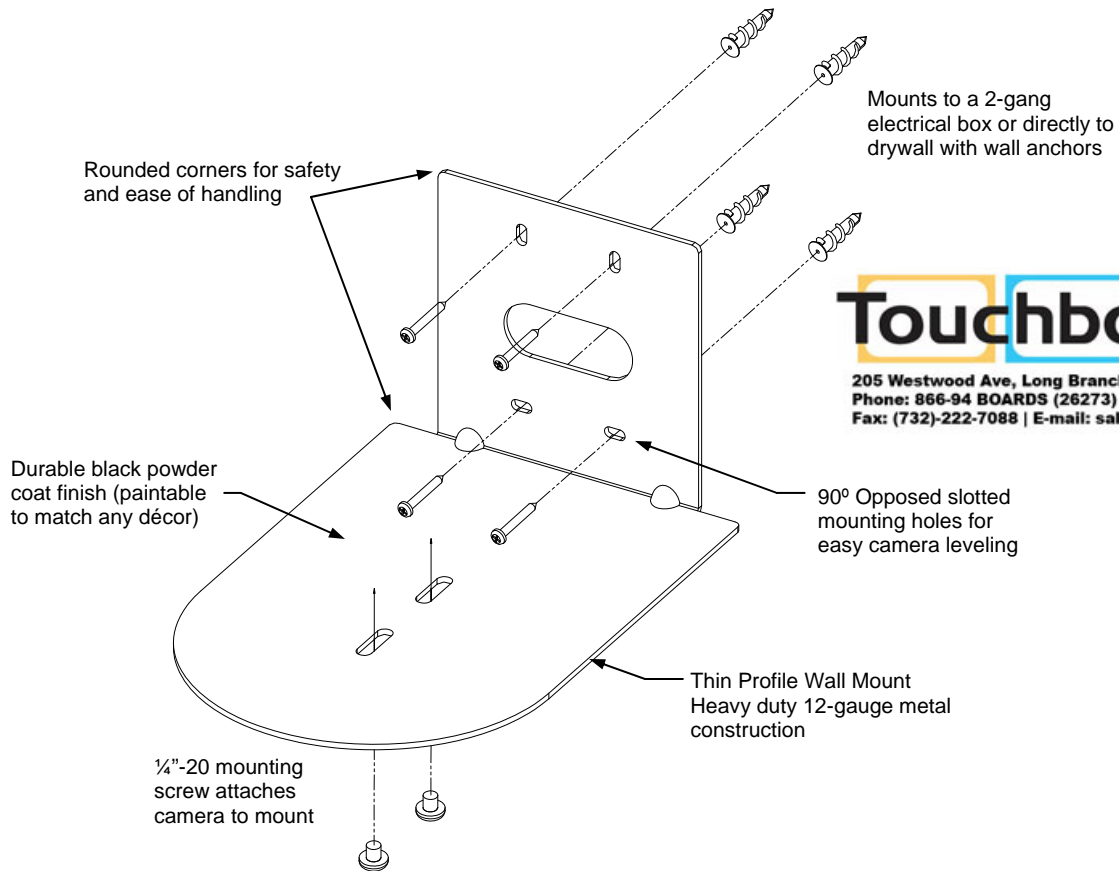


Vaddio™ Thin Profile Wall Mount for ClearVIEW HD-18 PTZ Camera

Part Number: 535-2000-230



UNPACKING:

Carefully remove the product and all of the parts from the packaging.

Unpack and identify the following parts:

- One (1) Thin Profile Mount for Vaddio HD-18 PTZ Camera (camera not included)
- Two (2) 1/4"-20 x 1/2" Mounting Screws
- Four (4) #8 x 1.25" Sheet Metal Screws
- Four (4) Wall Anchors, Self Drilling

MOUNTING THE CAMERA:

The Thin Profile Wall Mount for the Vaddio HD-18 Camera can be mounted to a 2-gang wall electrical wall box or be mounted directly to a drywall surface with the supplied wall anchors or other spiral type wall anchors of the Integrator's choice. The slotted mounting holes are 90° opposed from top to bottom to ensure that the camera can be adjusted and mounted level. Note: When locating the camera, consider viewing angles, lighting conditions, possible line of site obstructions and check for in-wall obstructions where the camera is to be mounted. Pick a mounting location to optimize the performance of the camera.

INTENDED USE:

This Thin Profile Wall Mount was designed, built and tested for use indoors and to support the weight, size and shape of the Vaddio HD-18 Camera only. Using this mount for any other device could damage that device and/or create a potentially unsafe operating condition.

HARDWARE WARRANTY:

Please see the Vaddio website at <http://www.vaddio.com> for the Vaddio Statement of Warranty for all Vaddio Products. The Statement of Warranty covers the policies and procedures of the Hardware Warranty, Exclusions, Customer Service, Technical Support, Return Material Authorizations (RMA), Voided Warranty, Shipping and Handling and Products Not Under Warranty. The Vaddio Warranty Statement supercedes all other published warranty statements in content and coverages. Vaddio Technical Support can be contacted through the Vaddio website or through e-mail support at <mailto:support@vaddio.com>.