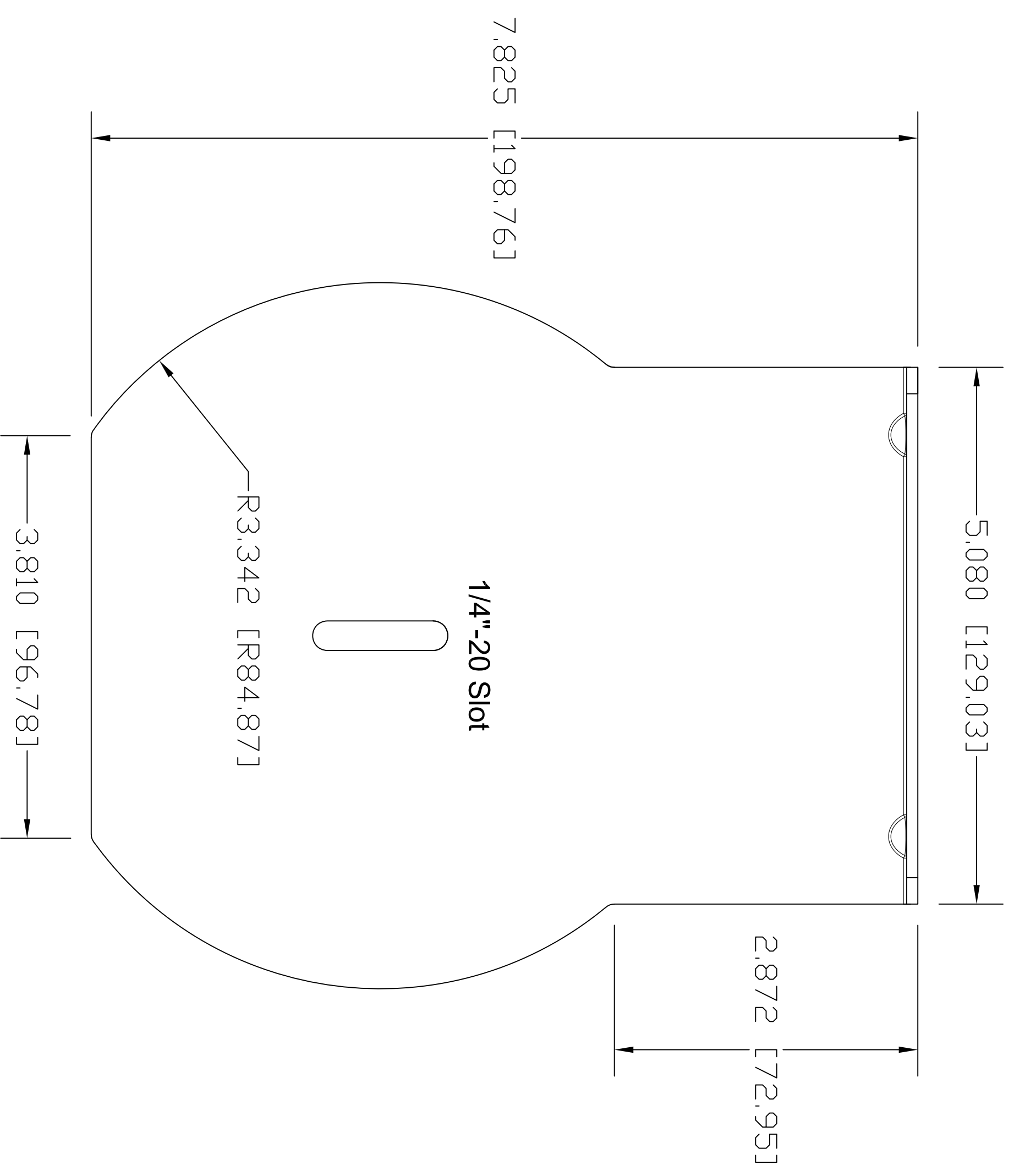
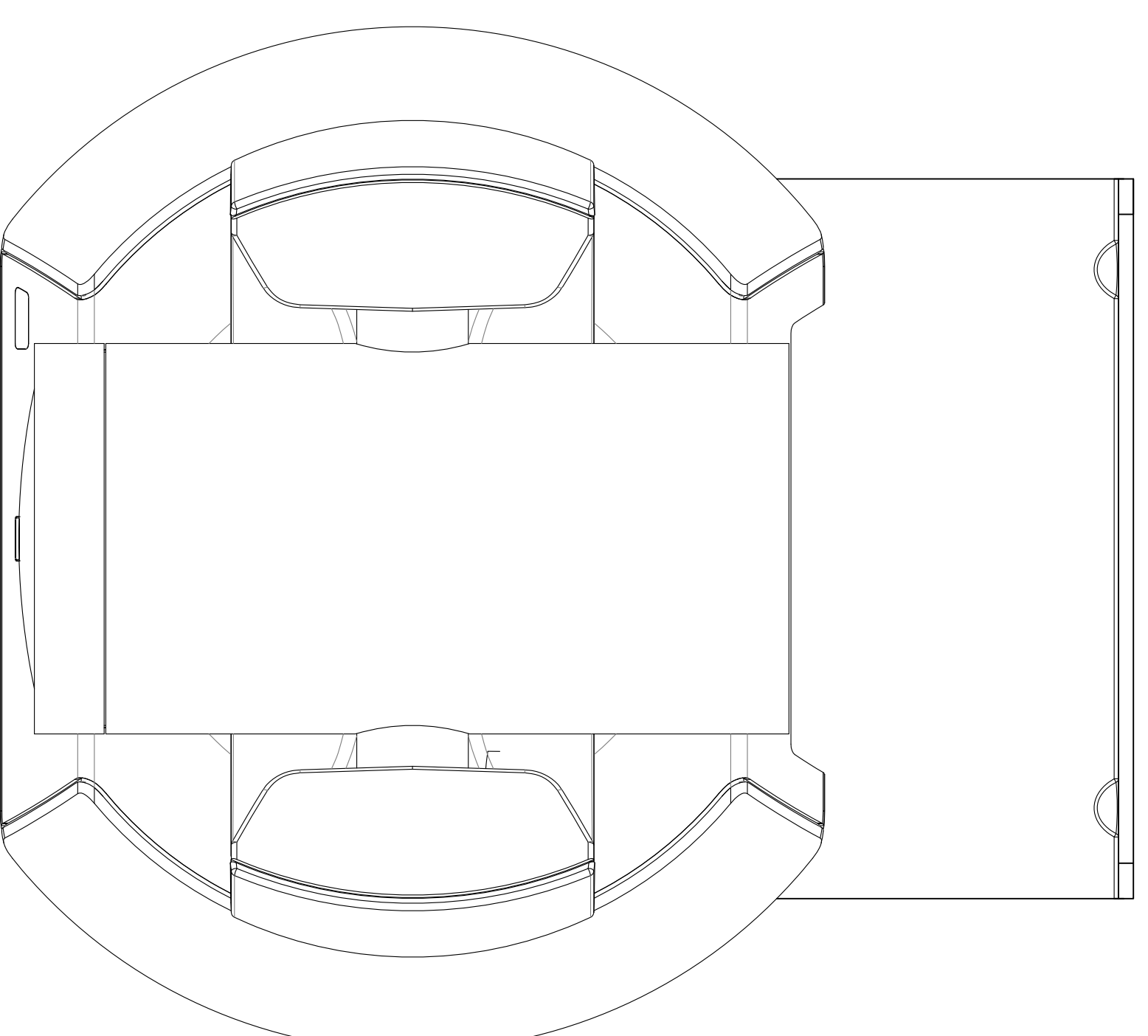


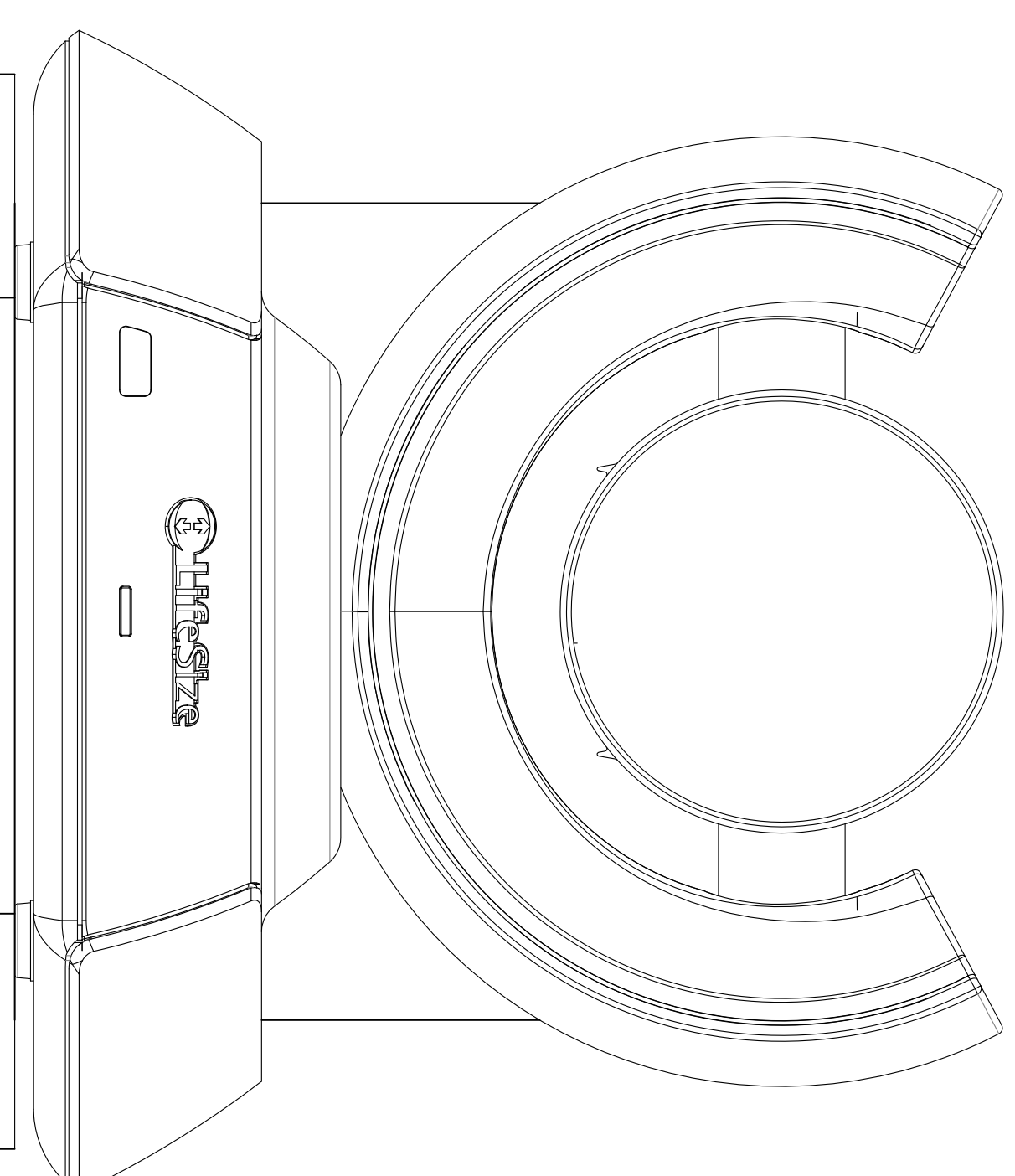
Top View



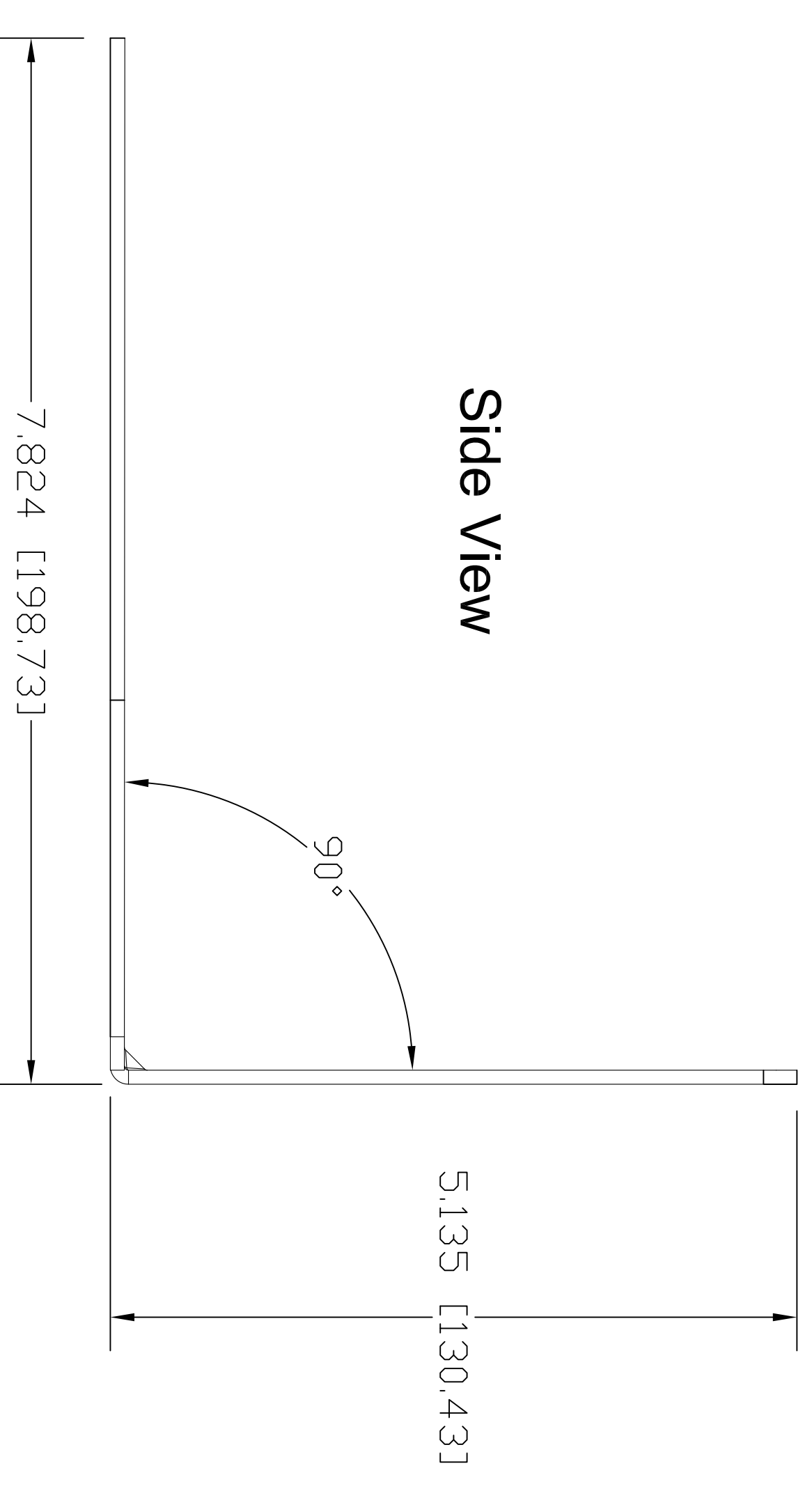
Top View w/LifeSize 10X



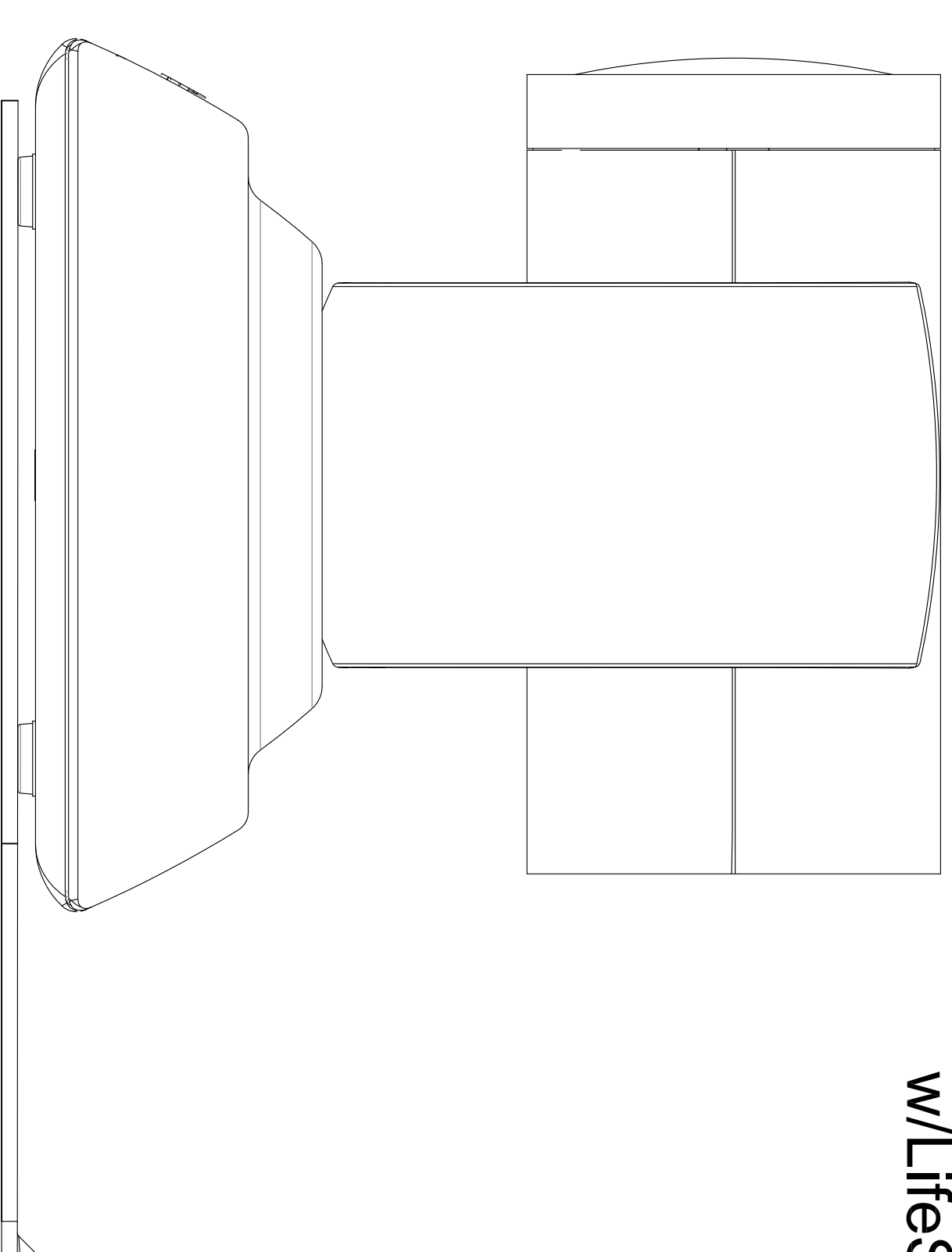
Front View w/LifeSize 10X



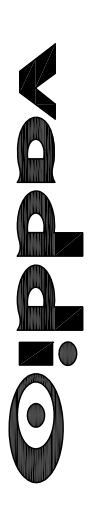
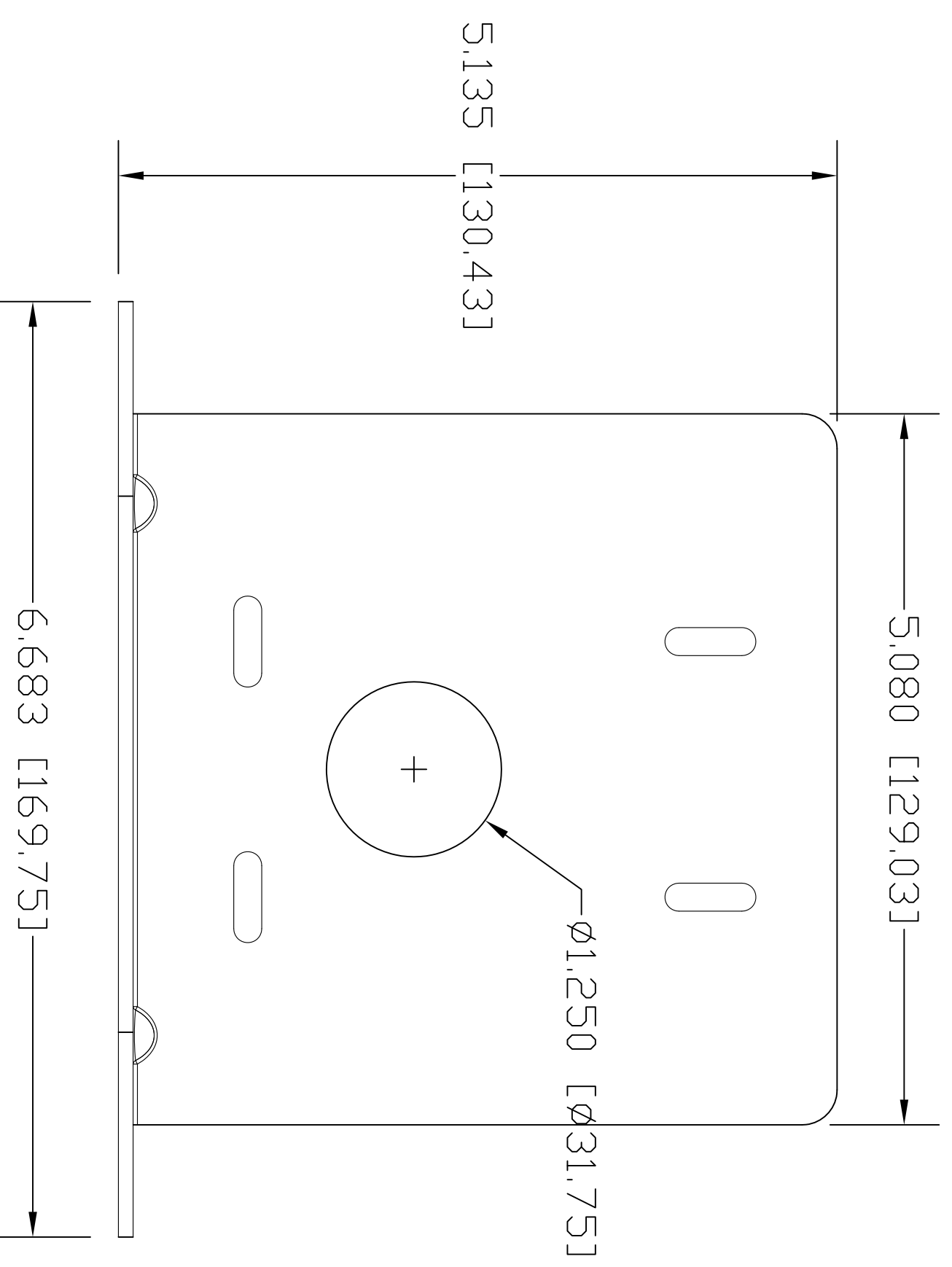
Side View



Side View
w/LifeSize 10X



Front View



GENERAL NOTES:
 DIMENSIONS ARE IN INCHES UNLESS OTHERWISE NOTED.
 DIMENSIONS ARE APPROXIMATE AND SHOULD BE USED AS A GUIDE.
 ALL DIMENSIONS ARE TO CENTER UNLESS OTHERWISE SPECIFIED.
 DIMENSIONS ARE TO CENTER UNLESS OTHERWISE SPECIFIED.
 DIMENSIONS ARE TO CENTER UNLESS OTHERWISE SPECIFIED.

535-2000-234 THIN PROFILE WALL MOUNT

FOR LifeSize 10X PTZ CAMERA - No EZIM

DRAWN	CHECKED	APPROVED	DATE
RAR		RAR	05/24/11
THIS DRAWING, INCLUDING ALL SUBJECT MATTERS INDICATED THEREON OR DERIVED THEREFROM, IS THE PROPERTY OF VADDIO. IT IS TO BE USED FOR THE PROJECT AND PURPOSE SPECIFICALLY IDENTIFIED HEREON. ALL RIGHTS ARE RESERVED. NO PART OF THIS DRAWING IS TO BE REPRODUCED OR TRANSMITTED IN ANY FORM OR BY ANY MEANS, ELECTRONIC OR MECHANICAL, INCLUDING PHOTOCOPYING, RECORDING, OR BY ANY INFORMATION STORAGE AND RETRIEVAL SYSTEM, WITHOUT PERMISSION IN WRITING FROM VADDIO.			
TOLERANCES -	CAS. SMT. UNLS. Q12.50	SCALE	1:1
BLACK POWDERCOAT -	POI 86-394	DRAWING NO.	2000-232
COMMENTS	Surface Finishing Category spec - NOT INCLUDED	SIZE	D
		REV	A