

Vaddio™ Drop Down Series Camera Mounts For Suspended and Drywall Ceilings

Drop Down Ceiling Mount – Small Platform with 12” Long Pipe
For Sony® EVI-D70, EVI-D100, Canon® VC-C50i, Polycom® PowerCam, and LifeSize® cameras- Model # 535-2000-290

Drop Down Ceiling Mount – Small Platform with 24” Long Pipe
For Sony EVI-D70, EVI-D100, Canon VC-C50i, Polycom PowerCam, and LifeSize cameras - Model #535-2000-291

Drop Down Ceiling Mount – Large Platform with 12” Long Pipe
For Sony EVI-HD1, Polycom EagleEye, and TANDBERG® Precision HD cameras - Model # 535-2000-292

Drop Down Ceiling Mount – Large Platform with 24” Long Pipe
For Sony EVI-HD1, Polycom EagleEye, and TANDBERG Precision HD cameras - Model # 535-2000-293

Drop Down Ceiling Mount – HD-18, HD-19 and HD-20 with 26” Long Pipe (approximate length)
For Vaddio ClearVIEW HD-18 PTZ cameras – Model # 535-2000-296

Figure 1:
Large Platform 24” Pipe from the Drop Down Camera Mount Series (below), Off-Set Drop Down Mount with HD-18 (right), Small Platform Drop Down Mount (lower right).



Touchboards
205 Westwood Ave, Long Branch, NJ 07740
Phone: 866-94 BOARDS (26273) / (732)-222-1511
Fax: (732)-222-7088 | E-mail: sales@touchboards.com

Cabling Note: Run all cabling through the mounting pipe before terminating connectors.

Step 1:

For Suspended Ceiling Installations: Mark a position in the center of a ceiling tile where the ceiling mount is to be placed. For suspended ceilings, the hole must be positioned at the mid-point of the ceiling tile (see Figure 2).

For Drywall Ceiling Installations: Mark a position in the ceiling and making sure that there are no obstructions (structural supports, electrical, etc.) in the area above the ceiling where the mount will be installed.

Step 2:

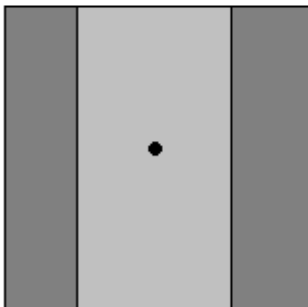
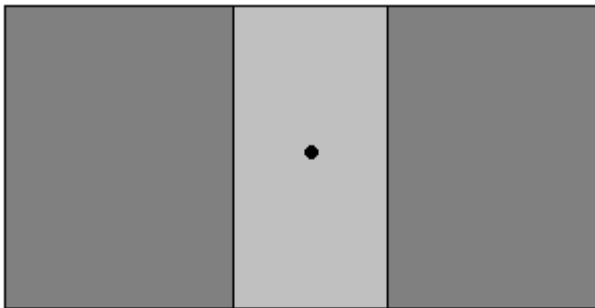
Drill or cut a 1" diameter hole in the tile or drywall at the point where you marked the hole.

For Suspended Ceiling Installations: Place the support brace on the top of the ceiling tile and align the support brace hole with the hole drilled in the ceiling tile.

NOTE: There are six holes drilled in the support brace for attaching the support brace to the building structure where building codes require this additional support.

For Drywall Ceilings: Place the 5" flange over the 1" hole, and mark the four locations in the flange to install appropriate hardware for mounting the flange to the ceiling.

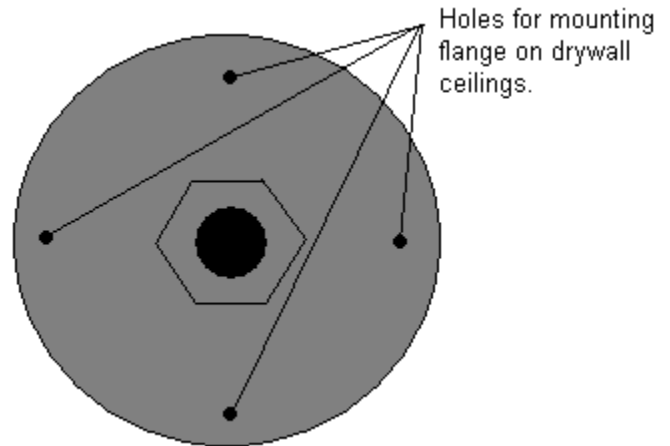
Figure 2: Tile Brace in Suspended Ceiling Detail



Above: Top view of a 2' x 4' ceiling tile with support brace and 1" hole.

Left: Top view of a 2' x 2' ceiling tile with support brace and 1" hole.

Figure 3: Mounting Flange Detail for Drywall Ceiling Installations



Step 3:

Thread the Jam Nut onto the bottom of the 12" or 24" pipe (the side with the shorter threads), then thread the Camera Platform all the way onto the pipe. Back the Camera Platform off the pipe (no more than one rotation) until the back of the Camera Platform aligns with the cable pass-thru. Carefully tighten the Jam Nut down onto the threaded nut of the Camera Platform (see Figure 4).

Step 4:

Thread the painted 5" flange onto the other end of the 12" or 24" pipe (see Figure 5).

Step 5:

For Suspended Ceiling Installations: Slide the pipe with 5" flange end through the hole in the ceiling tile. Place the 5" washer onto the threaded pipe, and screw the hex nut onto the pipe thread and tighten the hex nut down, then thread the Jam Nut onto the top of the pipe and tighten it to the hex nut (see Figure 5). Carefully feed the Cat. 5 cabling through the pipe and the cable pass-thru at the back of the camera mount.

For Drywall Ceiling Installations: Once you have installed appropriate mounting hardware for the flange, carefully pull the Cat. 5 cabling through the 1" hole in your drywall ceiling. Thread the cabling through the pipe, and pull it through the cable pass thru at the back of the camera platform. Place the flange on the ceiling and tighten the screws down onto the mounting hardware.

Figure 4: Camera Platform Mount Detail

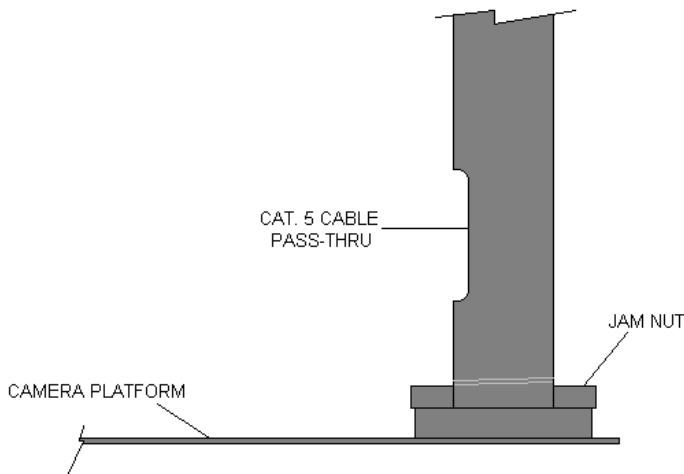
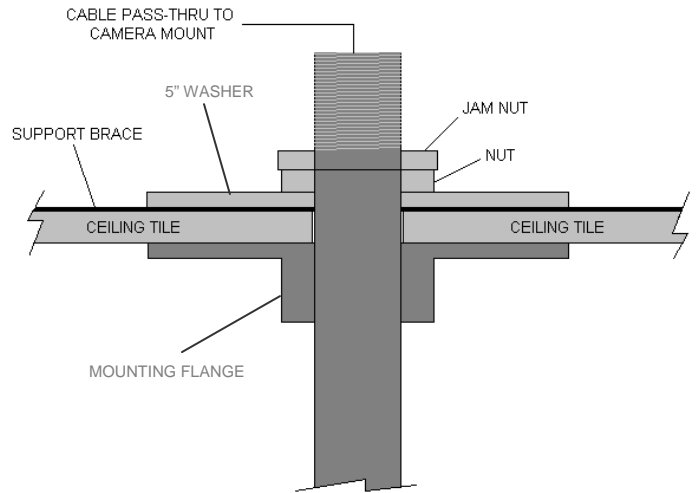


Figure 5: Ceiling Mount Detail





Step 6:

Place your camera onto the mount and secure it to the camera platform using the supplied black screw(s). Connect the Cat. 5 cabling to the back of the camera and carefully feed excess Cat. 5 cabling back into the ceiling.



IMPORTANT NOTE: Use only the provided 3/8" long 1/4"-20 screws with the HD-20

Drop Down Series Small Platform - 12" Pipe Camera Mount (535-2000-290)		Drop Down Series Large Platform - 12" Pipe Camera Mount (535-2000-292)	
	<p>Includes:</p> <ul style="list-style-type: none"> ▪ One (1) Drop Down Small Platform Ceiling Mount with 12" Pipe (fits Sony EVI-D70, EVI-D100, Canon VC-C50i, Polycom PowerCam and LifeSize cameras) ▪ One (1) 1/4"-20 screw for mounting the PTZ cameras described above ▪ One (1) Ceiling Tile Support Brace ▪ Install Guide <p><i>(Camera not included)</i></p>		<p>Includes:</p> <ul style="list-style-type: none"> ▪ One (1) Drop Down Large Platform Ceiling Mount with 12" Pipe (fits Sony EVI-HD1, Polycom EagleEye and TANDBERG Precision HD cameras) ▪ Four (4) – 3mm black screws for mounting the EagleEye camera ▪ One (1) – 1/4"-20 screw for mounting Precision HD or EVI-HD1 PTZ Camera ▪ One (1) Ceiling Tile Support Brace ▪ Install Guide <p><i>(Camera not included)</i></p>

Drop Down Series Small Platform 24" Pipe Camera Mount (535-2000-291)	Drop Down Series Large Platform – 24" Pipe Camera Mount (535-2000-293)	Off-Set Drop Down Series HD-18, HD-19 & HD-20 26" Pipe Camera Mount (535-2000-296)
		
<p>Includes:</p> <ul style="list-style-type: none"> ▪ One (1) Drop Down Small Platform Ceiling Mount with 24" Pipe (fits Sony EVI-D70, EVI-D100, Canon VC-C50i, Polycom PowerCam and LifeSize cameras) ▪ One (1) 1/4"-20 screw for mounting the PTZ cameras described above ▪ One (1) Ceiling Tile Support Brace ▪ Install Guide <p><i>(Camera not included)</i></p>	<p>Includes:</p> <ul style="list-style-type: none"> ▪ One (1) Drop Down Small Platform Ceiling Mount with 12" Pipe (fits Sony EVI-HD1, Polycom EagleEye and TANDBERG Precision HD cameras) ▪ Four (4) – 3mm black screws for mounting the EagleEye camera ▪ One (1) – 1/4"-20 screw for mounting Precision HD or EVI-HD1 PTZ Camera ▪ One (1) Ceiling Tile Support Brace ▪ Install Guide <p><i>(Camera not included)</i></p>	<p>Includes:</p> <ul style="list-style-type: none"> ▪ One (1) Drop Down Platform Ceiling Mount with 26" Pipe – approximate length (fits Vaddio ClearVIEW HD-18, HD-19 & HD-20 cameras) ▪ Two (2) - 1/4"-20 x 5/8" screw for mounting HD-18 and HD-19. ▪ Two 1/4"-20 x 3/8" screws for mounting the HD-20 ▪ USE ONLY 3/8" Long 1/4"-20 SCREWS FOR HD-20 ▪ One (1) Ceiling Tile Support Brace ▪ Install Guide <p><i>(Camera not included)</i></p>

INSTALLING THE MOUNT AND CAMERA:

The Drop Down Series of camera mounts can be mounted to either 2 foot square or 2' by 4' ceiling tiles, or a drywall ceiling. Note: When locating the camera, consider viewing angles, lighting conditions, line of site obstructions and check for vibration where the camera is to be mounted. Pick a location to optimize the performance of the camera. The integrator is responsible for following building codes, determining the suitability of the suspended or drywall ceiling to carry the load of the camera and mount, as well as to make sure that the camera is secured to the camera platform.

INTENDED USE:

These products were designed, built and tested for use indoors and to support the weight, size and shape of the prescribed products only. Using these mounts for any other devices could damage that device and/or create potentially unsafe operating conditions.

HARDWARE WARRANTY:

Please see the Vaddio website at <http://www.vaddio.com> for the Vaddio Statement of Warranty for all Vaddio Products. The Statement of Warranty covers the policies and procedures of the Hardware Warranty, Exclusions, Customer Service, Technical Support, Return Material Authorizations (RMA), Voided Warranty, Shipping and Handling and Products Not Under Warranty. The Vaddio Warranty Statement supercedes all other published warranty statements in content and coverages. Vaddio Technical Support can be contacted through the Vaddio website or through e-mail support at support@vaddio.com.