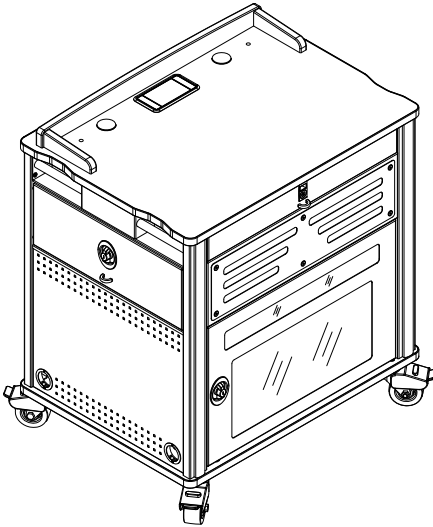
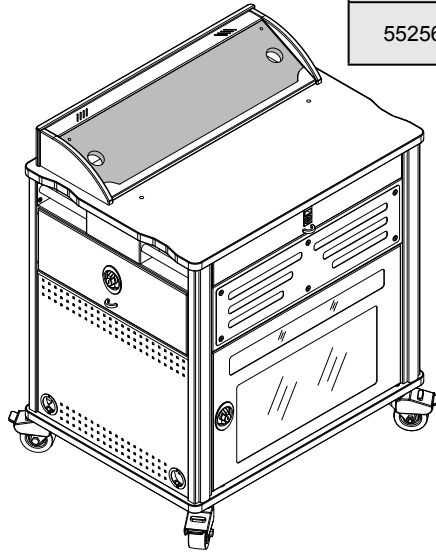


## Technical Specifications

LH Drawer	RH Drawer	
55253	55254	Standard Media Manager V2
55256	55257	with Overbridge Control Console™ (also requires 96507 insert panel)



Media Manager V2  
with LH drawer, Heavy-Duty  
casters and surround  
55253HDS



Media Manager V2 with OCC,  
LH drawer and Heavy-Duty casters  
55256HD  
shown with insert panel (shaded)

# Touchboards

205 Westwood Ave, Long Branch, NJ 07740  
Phone: 866-94 BOARDS (26273) / (732)-222-1511  
Fax: (732)-222-7088 | E-mail: sales@touchboards.com

The Media Manager is simply the standard from which the podium lectern industry is based. Two locking slide-out drawers and flip-up shelf are standard features. Grommets are strategically placed throughout the Media Manager for well-organized cord management. Removable doors allow easy equipment installation and access. Instructors and integrators alike will appreciate the state-of-the-art lectern furniture design.

## Features and Benefits

- Pull-out locking drawer on full-extension ball bearing drawer slides provide security and quick access to a document camera. Anti-skid pad at bottom of drawer prevents camera movement.
- Durable powder coated steel chassis provides a long-lasting finish
- Scratch and impact-resistant high-pressure laminate top provides a durable, useful worksurface for instructors
- Standard flip-up shelf with cord grommet provides a convenient additional worksurface
- Full-width pull-out locking laptop storage drawer/keyboard tray provides easy-access and secure storage for a laptop or keyboard with a flip-down wrist pad that provides keyboarding comfort
- Toe kick (TK) version available when mobility is not necessary or desired
- Standard worksurface surround provides privacy and styling
- Double-bolt, keyed locking front and rear doors provide security and easy-access
- Available in right or left-hand drawer versions
- Blank overbridge console version allows custom cutouts and installation of presentation controllers
- Four inboard 4" swivel locking Heavy-Duty (HD) casters with metal construction provide easy-rolling, and quiet mobility (rated for 300 lb each)
- Rack-rail equipment mounting (11RU)
- Quick-release door hinges allow front and rear doors to be removed for full-access
- Removable acrylic viewing/access panel on the front door provides easy monitoring and access to internal equipment
- Ventilated side panels help keep equipment cool
- Worksurface and base panel vinyl edging protects walls and furniture
- One rectangular worksurface grommet provides cable access or the ability to mount a power module (non OCC)
- Two 2" cable grommets (left and right) on the worksurface or overbridge provide cable access (non OCC)
- Cable grommets throughout the unit keep wires and cords organized
- Recessed handles on both ends of cart provide control when mobile
- Designated storage space for an internal CPU
- Rack rails can be mounted on the left or right side of the lectern
- Pre-drilled left and right worksurface mounting holes provide easy installation of a monitor arm
- Quick-change front and rear logo/cord-access panels simplify adding or changing logos and accessing cords
- Lectern ships fully-assembled with handle for quick, simple integration and deployment
- Wide variety of options and accessories allow unit to be configured to most situations
- SCS Indoor Advantage Certified; meets or exceeds applicable ANSI-BIFMA test standards
- Warranted to be free of all defects in materials and workmanship for 10 years
- Assembled in Chippewa Falls, WI, USA

Base	
HD	4" Heavy Duty casters
TK	Toe Kick
HDS	4" Heavy Duty casters & Surround (non-overbridge models only)
TKS	Toe Kick & Surround (non-overbridge models only)

## Color Options

Standard laminate / color combinations

Wild Cherry / Black  
(CHB)



Indigo Organix / Black  
(IB)



Indigo Organix / Dark Gray  
(ID)



Fusion Maple / Black  
(FMB)



Standard color combination refers to the quickest deliverable product color combination. Custom laminates and color combinations are available-additional lead-times and up-charges may apply. Call 1-800-235-1262 for further information.

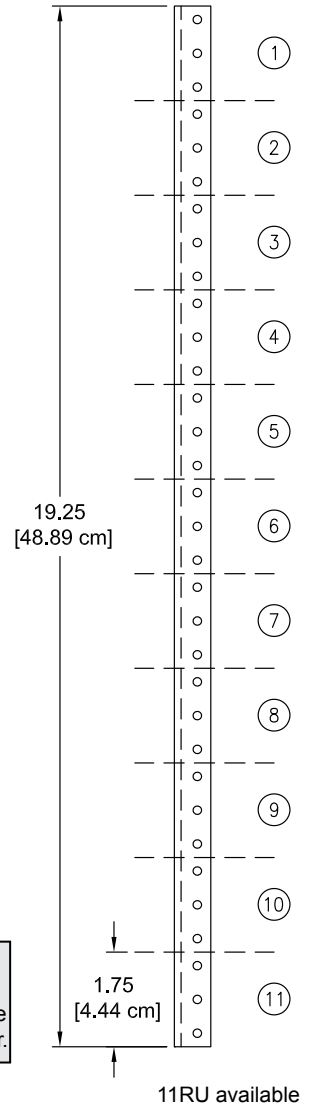
# Construction

- The worksurface and base panel is constructed from 1.063" thick NAUF (No Added Urea Formaldehyde) composite board with .030" high-pressure laminate on one face, and a balancing phenolic backer on the opposing face
- Metal components consist of 16-gauge and 20-gauge steel
- 16-gauge steel doors and corner columns
- Worksurface and base panel edges are covered with 3mm vinyl edge band
- All metal components are finished with a scratch-resistant powder coat epoxy
- Solid wood corner trim
- Each Media Manager V2 Lectern is factory-assembled with casters, packaged, and shipped on its own skid

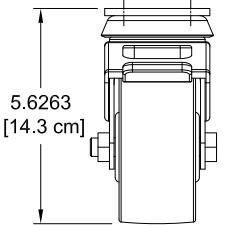
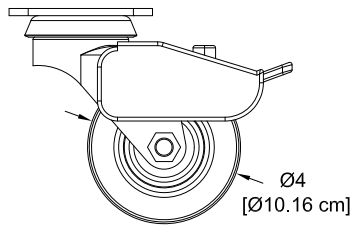
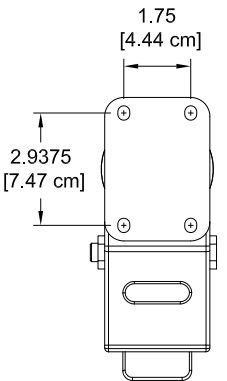
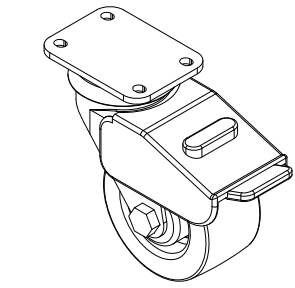
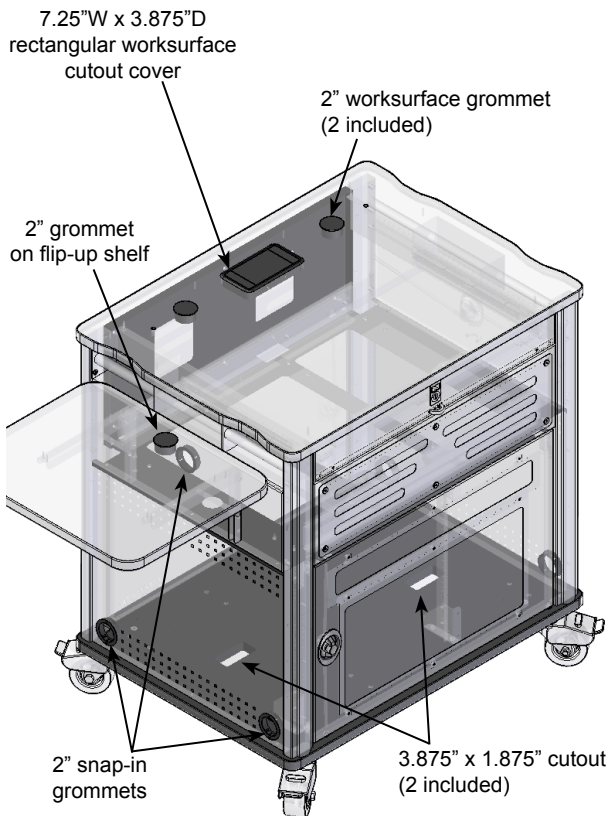
# Specifications

Internal area (nominal)	34.5"W x 25"D x 19"H
CPU area (nominal)	12"W x 25"D
Standard rack rail	11RU
4" Heavy-Duty wheels	weight capacity 300 lbs each
Document camera drawer	22.9375"W x 26.9375"D (8" top to bottom clearance)
Flip-up shelf	<ul style="list-style-type: none"> <li>• 23.4375"W x 18.063"D x 1" thick</li> <li>• Supports a maximum of 50 lbs</li> <li>• Shelf hinges lock into place in the upright position</li> <li>• Installed opposite drawer</li> </ul>
Shipping weights (nominal)	304 lb [138 kg] - 55254HD 307 lb [139 kg] - 55254TK 310 lb [141 kg] - 55253HD, 55254HDS 324 lb [147 kg] - 55253HDS, 55253TK, 55254TKS 329 lb [149 kg] - 55256HD, 55256TK, 55257HD, 55257TK 344 lb [156 kg] - 55253TKS

Specifications subject to change without notice

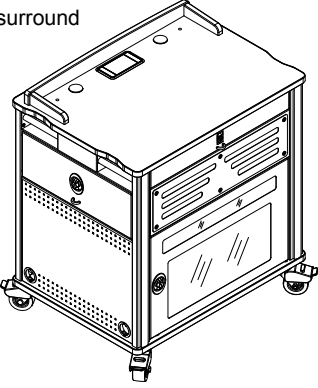
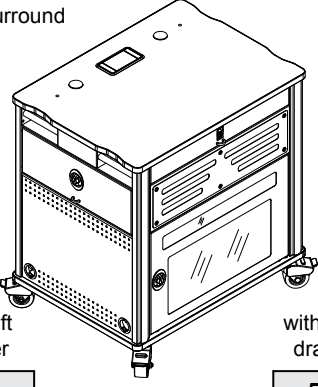
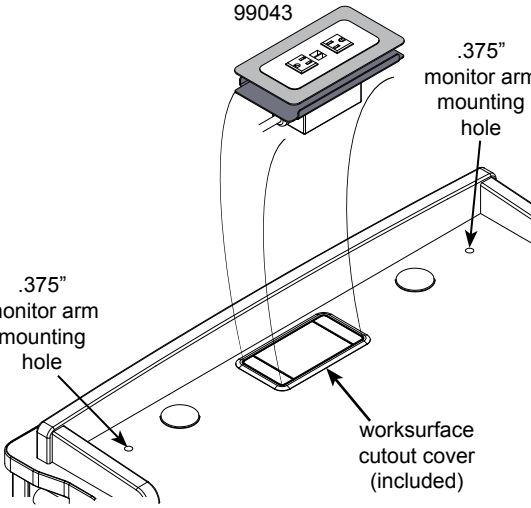
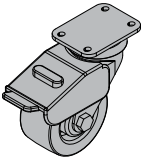
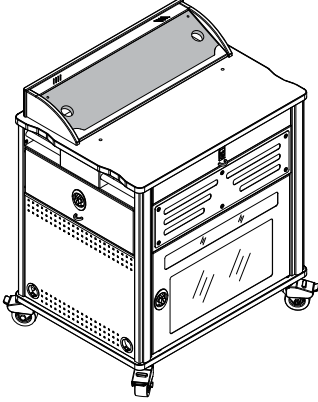
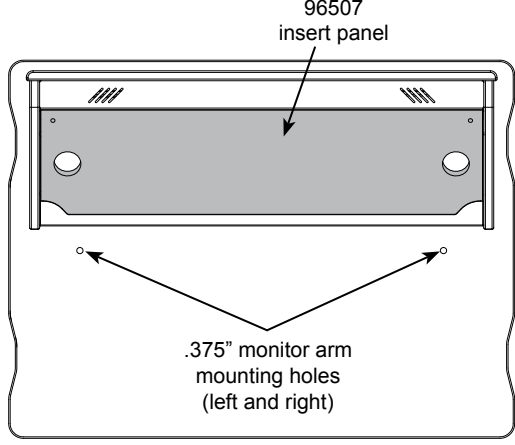
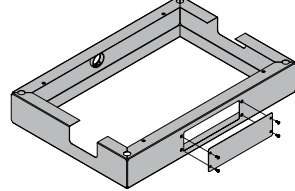


Note: The rack rails are factory-installed in the Media Manager on the side opposite the document camera drawer.

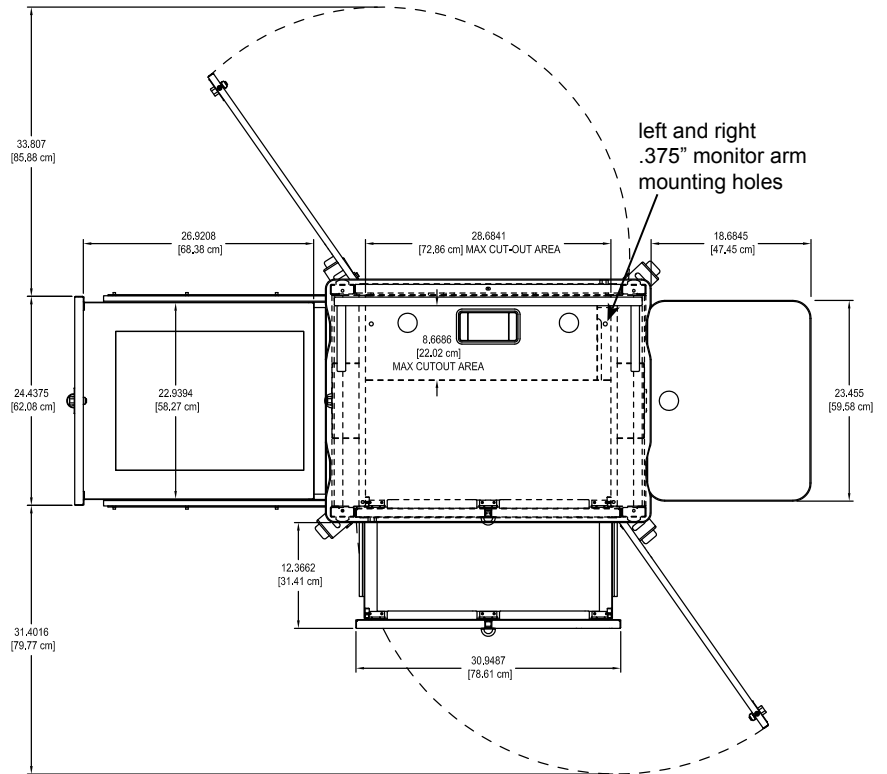
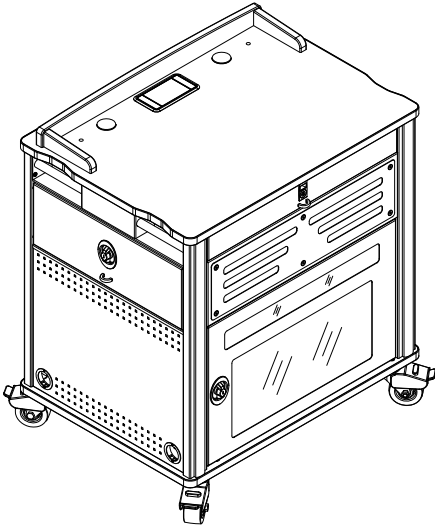


4" Heavy-Duty caster (HD)

# Models

	Worksurface:	Base Options:
<p align="center"><b>Standard MMV2 Lectern</b></p> <p>(S) with surround</p>  <p>without surround</p>  <p>with left drawer <span style="float: right;">with right drawer</span></p> <p><b>55253</b> <span style="float: right;"><b>55254</b></span></p>	 <p>99043</p> <p>.375" monitor arm mounting hole</p> <p>.375" monitor arm mounting hole</p> <p>work surface cutout cover (included)</p> <p>One work surface cutout with cover for use with optional Cove Power Module (not included). Includes two 2" grommet holes with covers for routing cords from work surface, and two .375" holes with plugs for optional monitor arm mounting.</p>	 <p align="center">X 4 <b>HD</b> 4" Heavy-Duty casters</p>
<p align="center"><b>MMV2 Lectern with Overbridge Control Console</b></p>  <p>Note: The insert panel shown (<i>shaded</i>) is <u>not</u> included with the lectern or overbridge. This option needs to be ordered separately to complete the overbridge.</p> <p>with left drawer <span style="float: right;">with right drawer</span></p> <p><b>55256</b> <span style="float: right;"><b>55257</b></span></p>	 <p>96507 insert panel</p> <p>.375" monitor arm mounting holes (left and right)</p> <p>Overbridge with blank insert panel for custom cutouts (see p.8 for dimensions). Overbridge is not available separately. Includes two 2" grommet holes with covers. Work surface in front of overbridge includes two .375" holes with plugs for optional monitor arm mounting.</p>	 <p align="center"><b>TK</b> Standard Toe Kick</p>

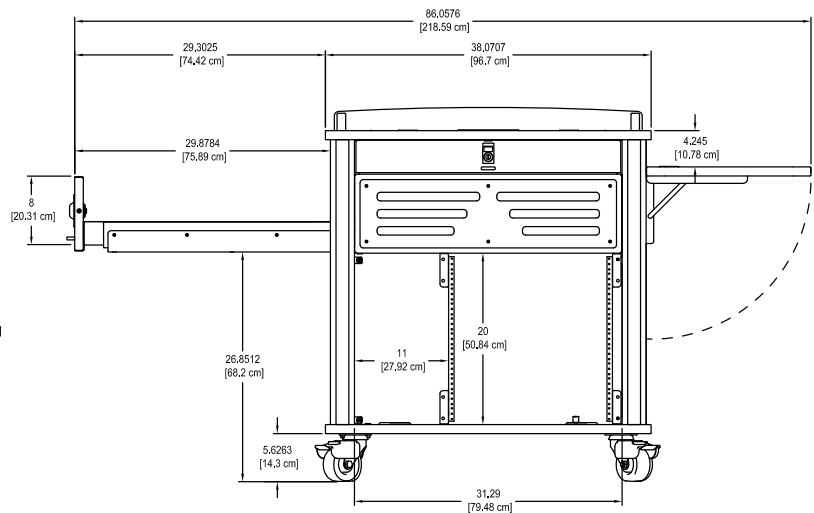
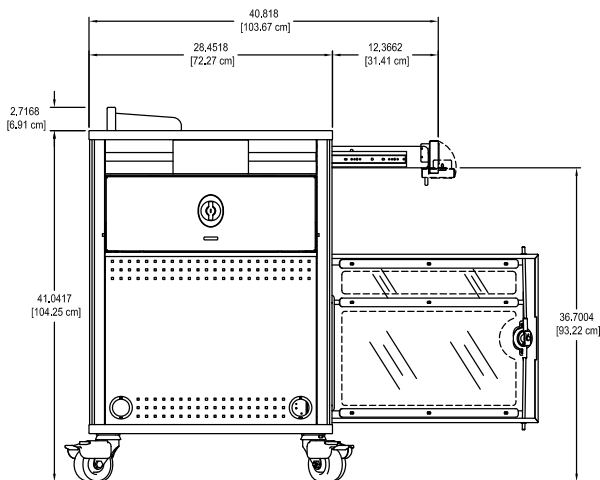
Media Manager V2  
with Heavy-Duty casters and surround



**55253HDS standard left-hand drawer  
"as-shipped" configuration**

- Document camera drawer opens on left side of unit
- Flip-up shelf mounted on the right side
- Right-hinged doors
- Rack rail mounted in right-side position

Note: It is possible for the customer to switch the document camera drawer, flip-up shelf, and rack rail to the opposite side of the unit after purchase, but not recommended. Contact Spectrum for further information.

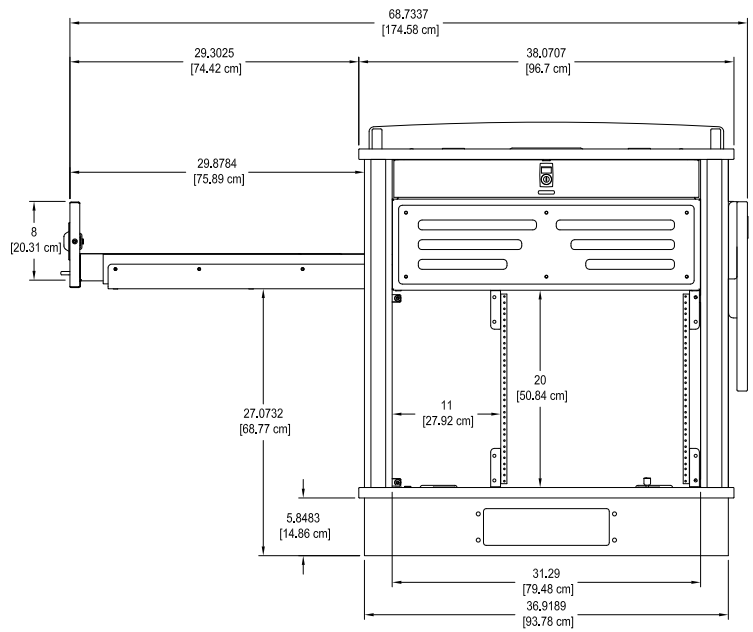
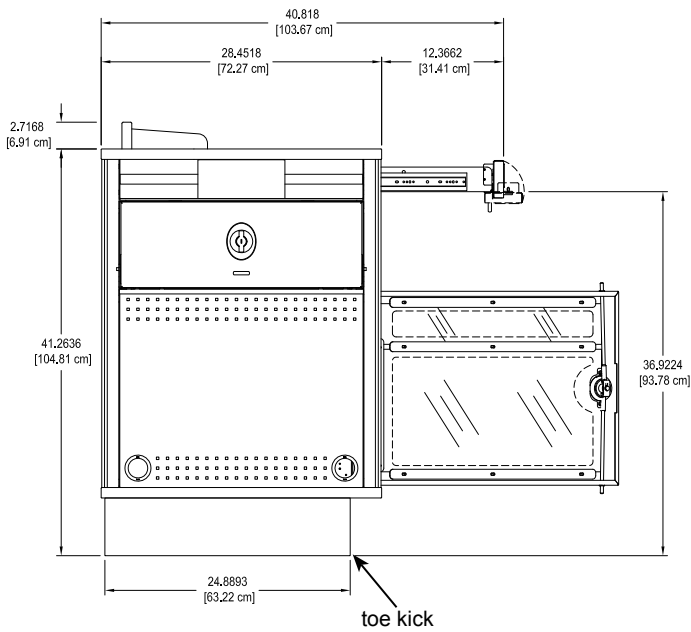


(shown with instructor  
side door removed)

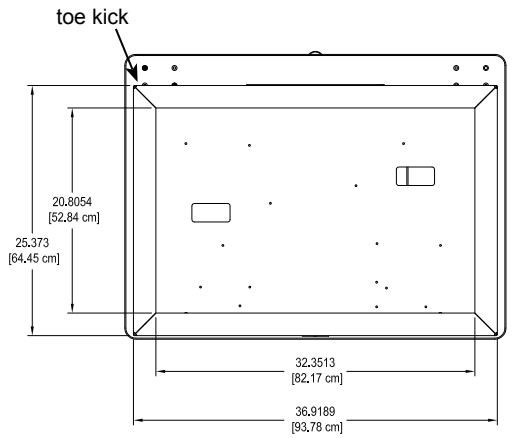
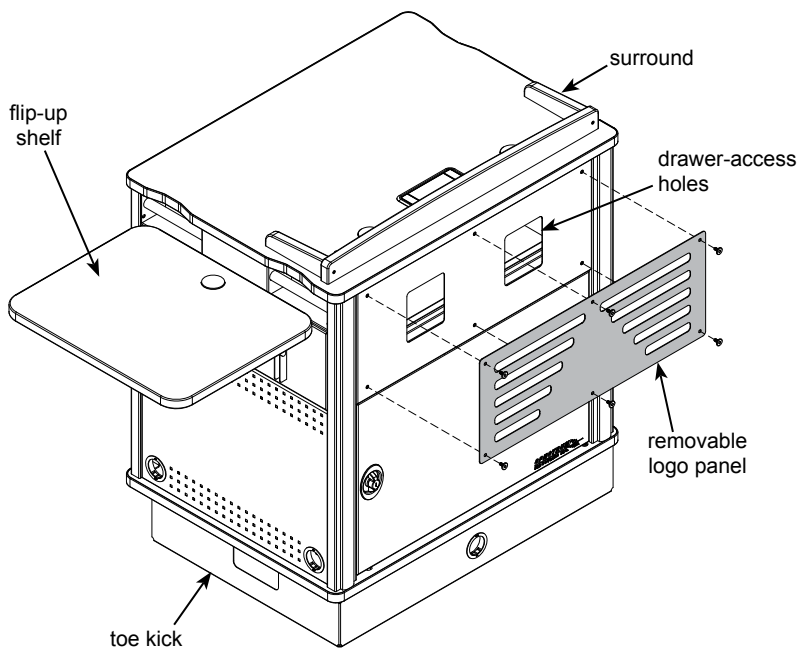
Note: On multiple lecterns, drawer and door locks can be keyed the same or differently. A modification can be made to key the locks on a single lectern differently or to key all the lecterns differently-an up-charge and lead-time will apply. (Standard locks are all keyed the same.)

Modified worksurface cutouts should be reviewed by Spectrum to ensure clearance of brackets, keyboard slides, or other objects under the worksurface.

Media Manager V2  
with Toe Kick and surround

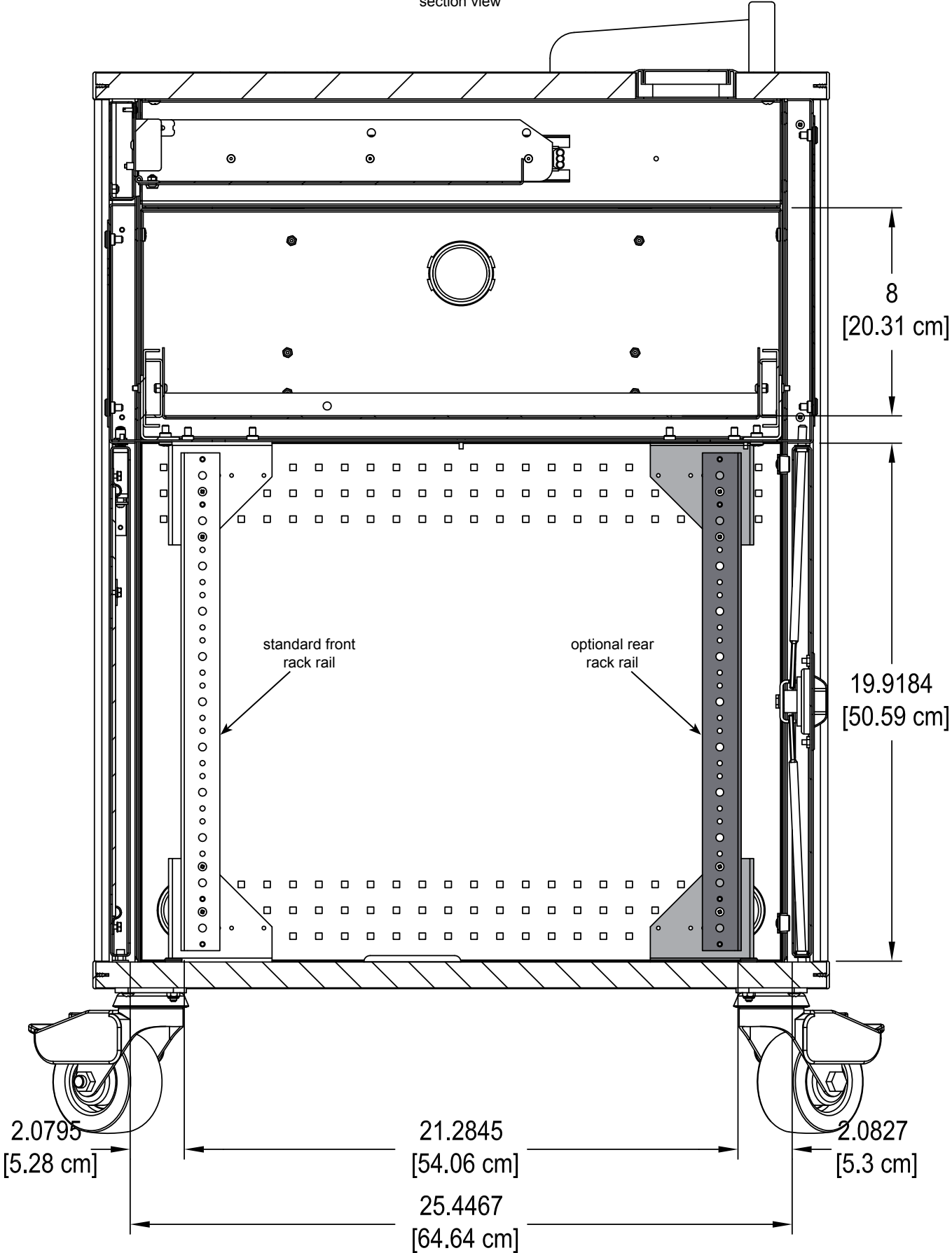


(shown with door removed)

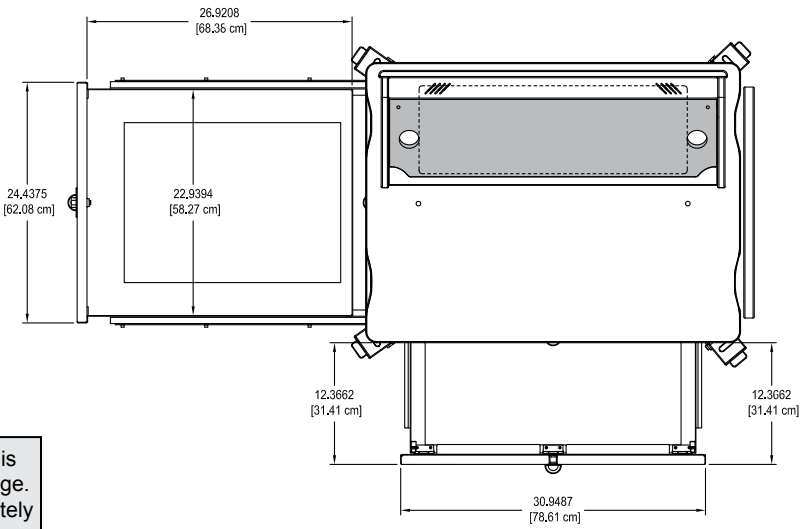
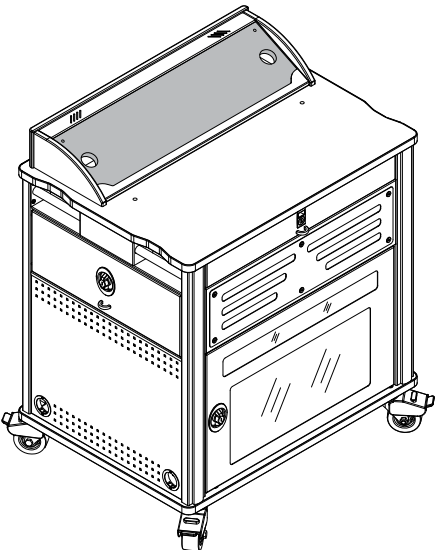


bottom view

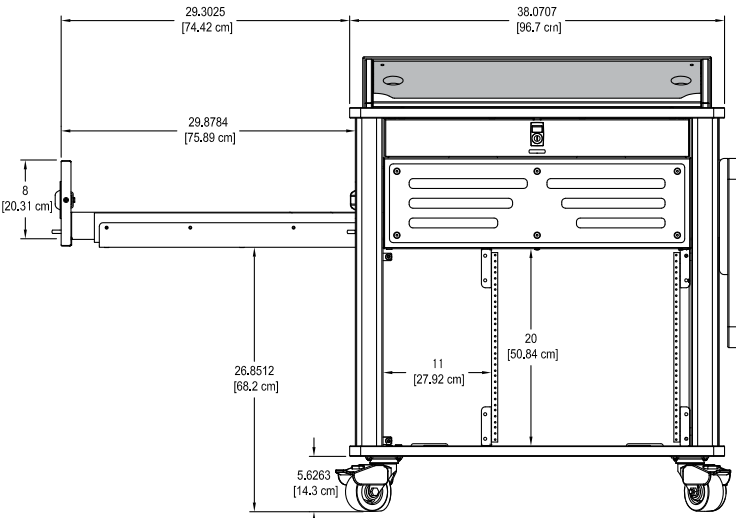
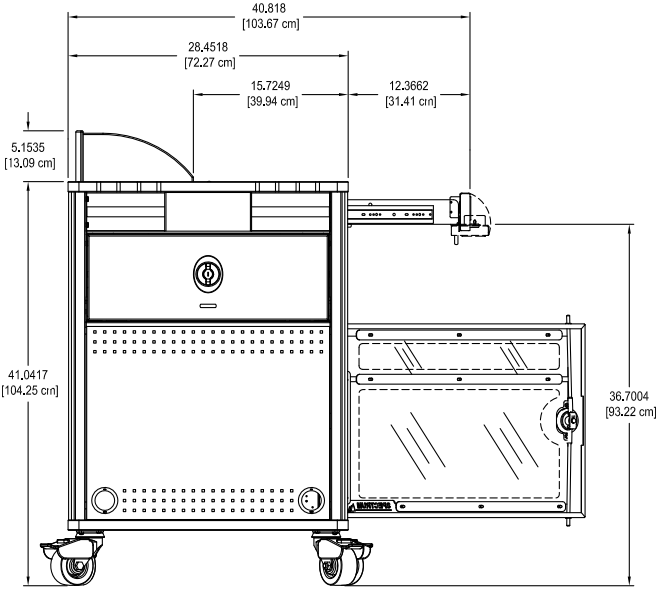
Media Manager V2  
section view



Media Manager V2  
with Overbridge Control  
Console and casters

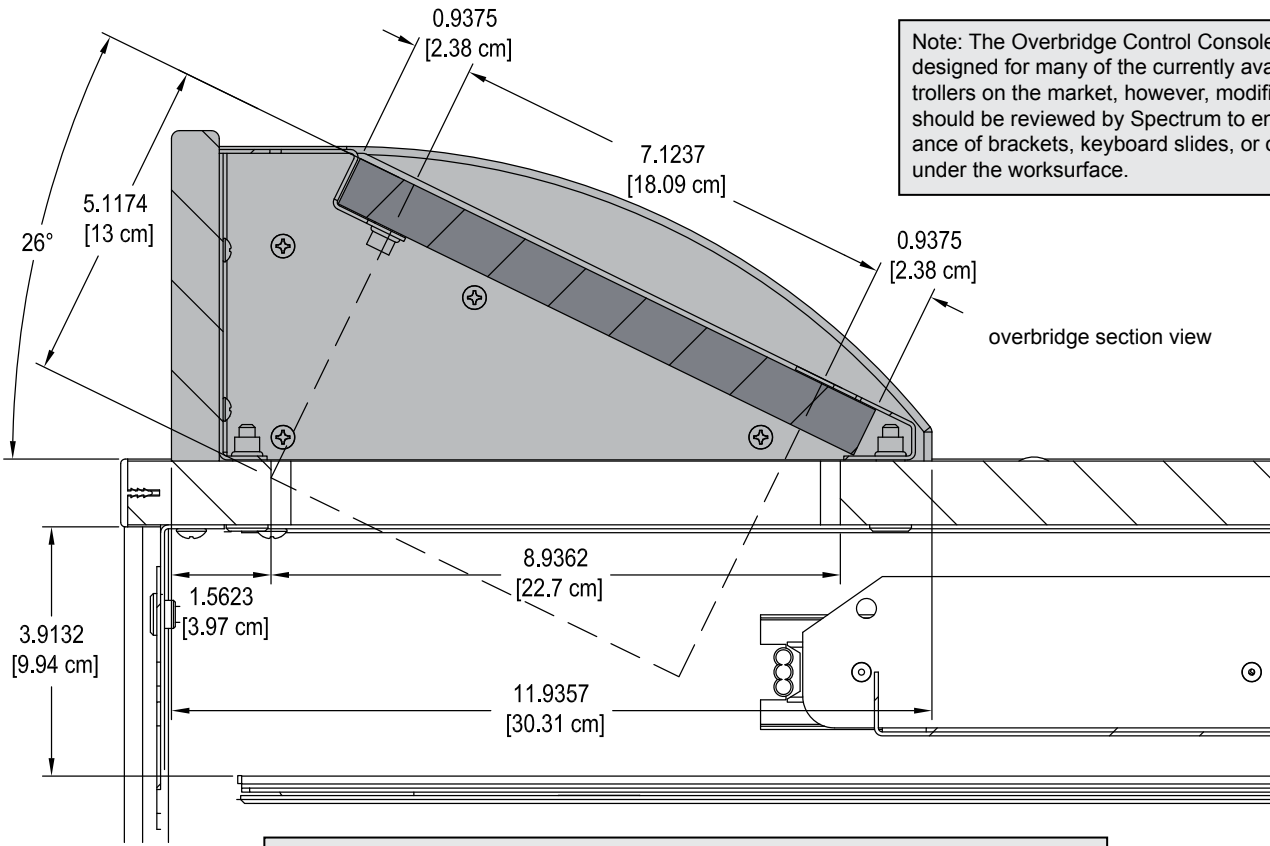
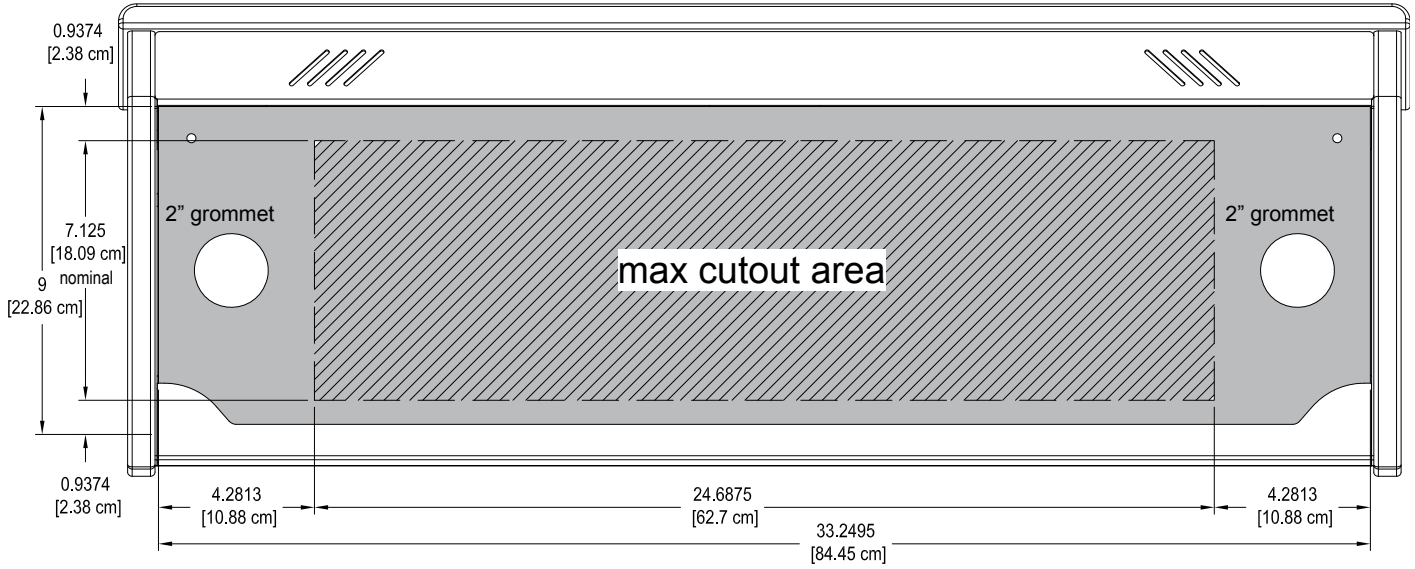


Note: The insert panel shown (*shaded*) is not included with the lectern or overbridge. This option needs to be ordered separately to complete the overbridge.



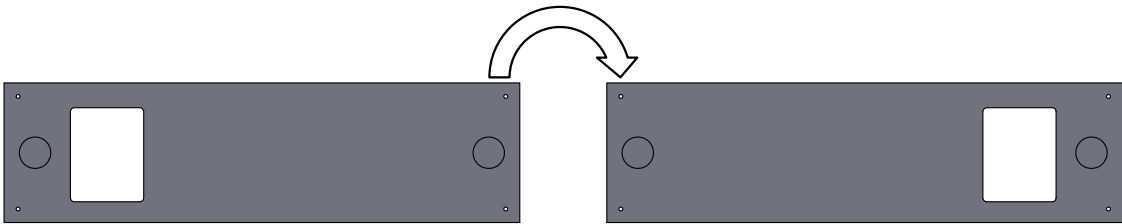
(shown with instructor side door removed)

Media Manager V2 overbridge panel blank  
(flat view)



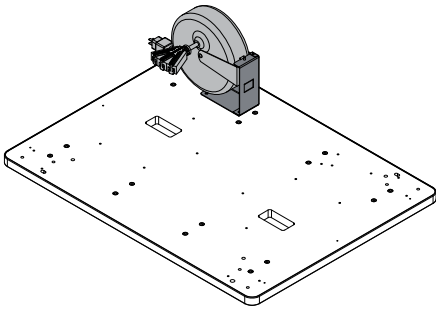
Note: The Overbridge Control Console™ has been designed for many of the currently available controllers on the market, however, modified cutouts should be reviewed by Spectrum to ensure clearance of brackets, keyboard slides, or other objects under the worksurface.

Note: The insert panel shown (*shaded*) is not included with the lectern or overbridge. This option needs to be ordered separately to complete the overbridge. This insert panel is horizontally symmetrical and can be easily removed, rotated 180°, and re-installed if a cutout needs to be relocated to the opposite side of the overbridge.

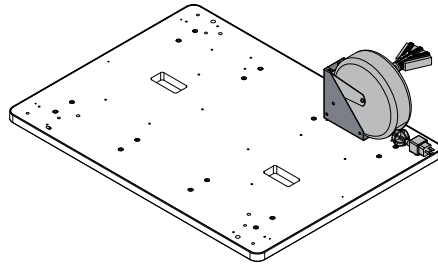




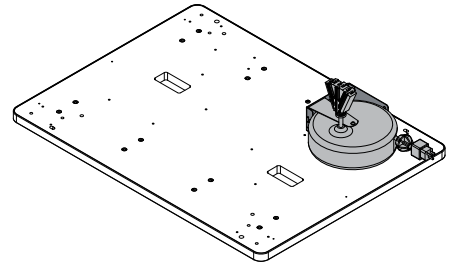
available positions on base panel for optional cord reel



vertical left  
(takes up 6RU)

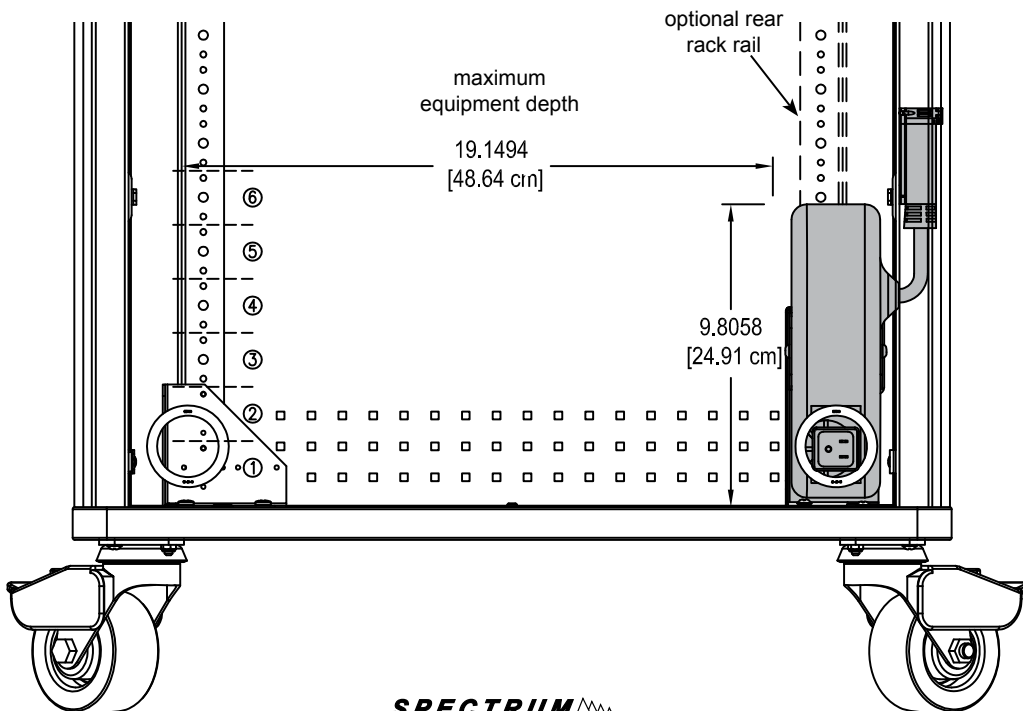
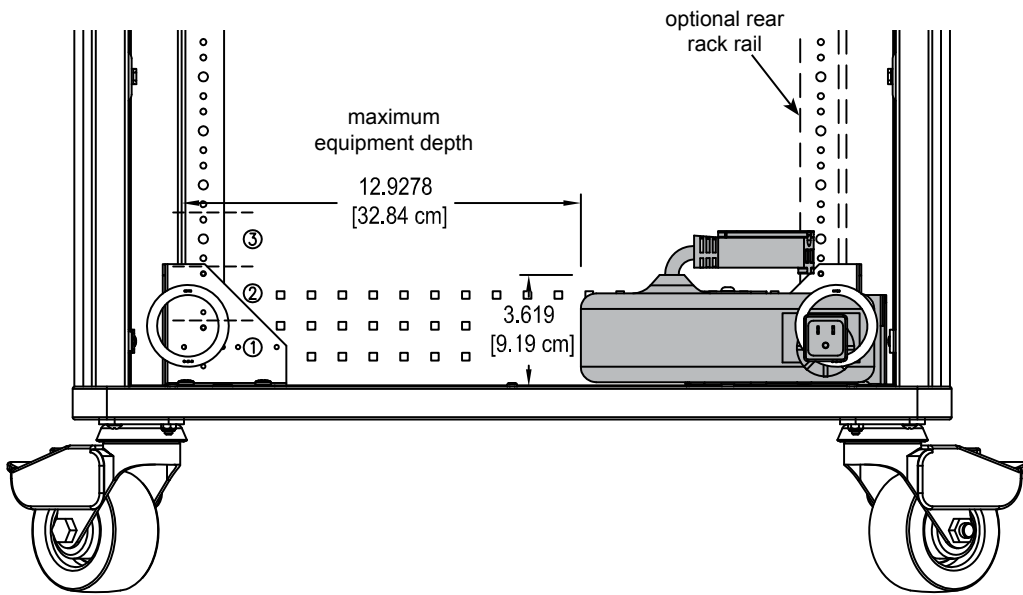


vertical right  
(takes up 6RU)

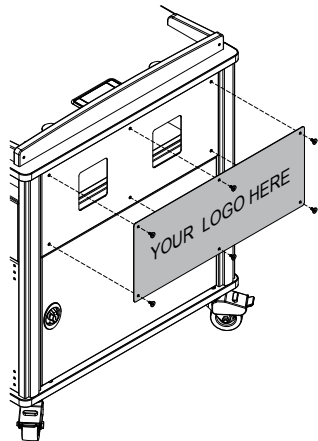


horizontal right  
(takes up 3RU)

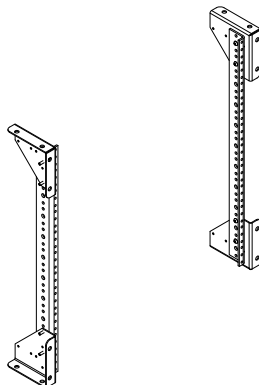
Media Manager with optional universal cord reel kit 99037  
(available rack spacing)



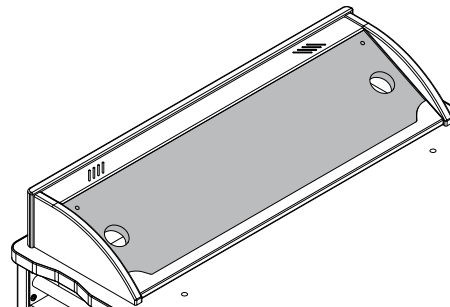
# Options



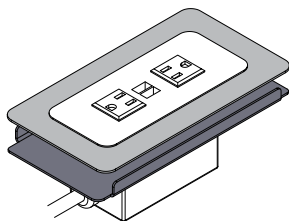
**Custom-cut logo panel**  
(audience side)  
22.5"W x 9"H  
55241



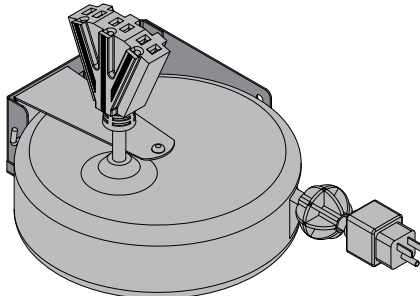
**Media Manager V2  
Rear Rack Rail Kit**  
11RU  
55238




**Overbridge Insert Panel**  
for overbridge version only-contact Spectrum to  
specify cutout size(s) and position(s)-  
overbridge not available separately  
(includes two 2" grommets with covers)  
96507 - blank panel  
96507mod - panel with cutout(s)



**Cove Power Module Kit  
with mounting plate**  
9' power cord, 2 AC outlets,  
2 USB charge ports  
7.5"W x 3.25"D x 4.25"H  
99043




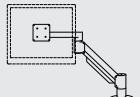


**Universal Cord Reel Kit**  
15' [457.2 cm] retractable, 12 AWG, with  
breaker, includes universal mounting bracket  
(mounts horizontally or vertically inside  
lectern to base panel) 10 lbs [.45 kg]  
99037

Note: When installed, the cord  
reel takes up rack units from  
the bottom of the rack rail.

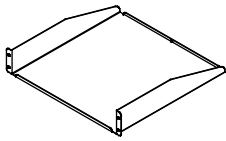
Horizontal installation: 3RU  
Vertical installation: 6RU

 The cord reel is intended to provide temporary access to electrical outlets for  
Spectrum mobile lecterns. Check local electrical codes prior to installation.

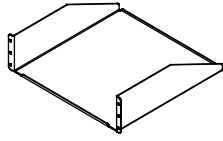


**Flat Panel Monitor Arms and Tablet Mounts**  
(See the Spectrum website or catalog for the latest  
available monitor arm and tablet mounting options)

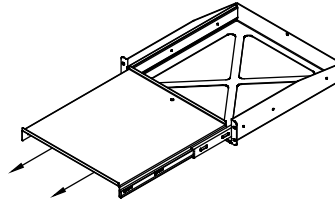
# Rack-mount accessories



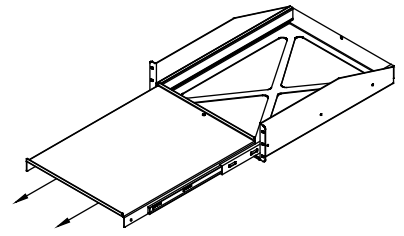
**Cantilever Shelf (2RU)**  
17.5"W x 18"D x 3.5"H  
(50 lbs max load)  
97504



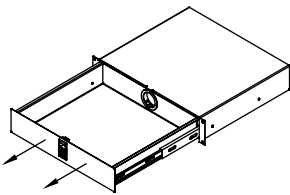
**Cantilever Shelf (3RU)**  
17.5"W x 18"D x 5.25"H  
(80 lbs max load)  
97502



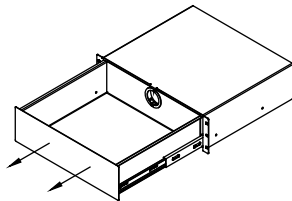
**Pull-Out Shelf (2RU)**  
16.5"W x 17.75"D  
(50 lbs max load)  
97505



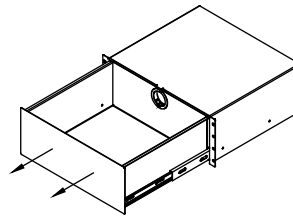
**Pull-Out Shelf (3RU)**  
16.5"W x 21.75"D  
(80 lbs max load)  
97503



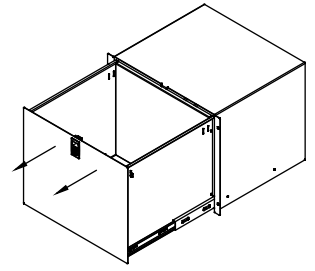
**Locking Drawer (2RU)**  
interior dims:  
15.75"W x 13.6875"D x 2.875"H  
(25 lbs max load)  
97514



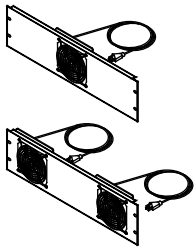
**Drawer (3RU)**  
interior dims:  
15.9375"W x 14.5"D x 5.25"H  
(50 lbs max load)  
97518



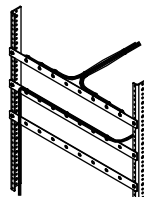
**Drawer (4RU)**  
interior dims:  
15.9375"W x 14.5"D x 7"H  
(50 lbs max load)  
97519



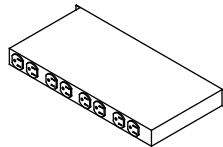
**Locking File Drawer (8RU)**  
with file holder  
interior dims:  
15.75"W x 13.5625"D x  
13.3125"H  
(50 lbs max load)  
97515



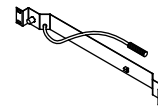
**Cooling Fans (3RU)**  
19"W x 2"D x 5.25"H  
Single Fan-97507  
Double Fan-97506



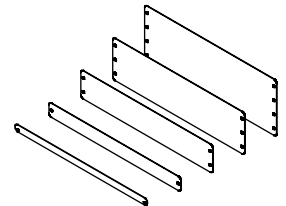
**Wire Lace Kit**  
3 lace straps included  
95517



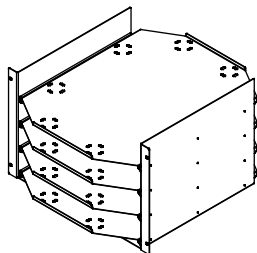
**9-Outlet Power Strip (1RU)**  
19"W x 9"D x 1.75"H  
99021



**Flexible Halogen Light (1RU)**  
19"W x 2"D x 1.75"H  
99033



**Rack-Mount Blanks**  
(fills rack spaces where components are not needed)  
97516 - (½ RU)  
97510 - (1RU)  
97511 - (2RU)  
97512 - (3RU)  
97513 - (4RU)



**LT-4 Laptop Storage Unit (7RU)**  
(stores 4 laptops horizontally)  
laptop tray dims:  
16.25"W x 20.5"D x 2.1875"H  
97517

# Warranty

## WE WILL MAKE IT RIGHT FOR YOU!

Spectrum is committed to provide complete customer satisfaction. Each of our products is manufactured from the best materials available and each product is stringently monitored throughout the production process through our P.A.C.E. program (Product Assurance to meet Customer Expectations).

We expressly warrant that Spectrum products will be of good quality and workmanship and free from defect for the period set out in the warranty table below from the date of delivery. This warranty shall not apply to defects or damage resulting from misuse, abuse, neglect, improper care, modification or repair not authorized by Spectrum, or any other cause outside the control of Spectrum. Spectrum will, at its sole option, either repair or replace the defective product.

This warranty is exclusive; no other warranty, written or oral, is expressed or implied. This warranty is given by Spectrum to Buyer and to no other person or legal entity. No Spectrum dealer, distributor, agent or employee is authorized to make any modification or addition to this warranty.

**NOTWITHSTANDING ANYTHING TO THE CONTRARY, SPECTRUM WILL NOT UNDER ANY CIRCUMSTANCES BE LIABLE FOR INDIRECT OR LIQUIDATED DAMAGES, INCLUDING CONSEQUENTIAL, INCIDENTAL AND SPECIAL DAMAGES. IN NO EVENT SHALL SPECTRUM'S LIABILITY, WHETHER UNDER CONTRACT OR WARRANTY, IN TORT OR OTHERWISE, EXCEED THE PURCHASE PRICE RECEIVED BY SPECTRUM FOR THE PRODUCT AT ISSUE AND "RECALL ACTION" EXPENSES. SPECTRUM SHALL NOT BE SUBJECT TO ANY OTHER OBLIGATIONS OR LIABILITIES, WHETHER ARISING OUT OF BREACH OF CONTRACT, WARRANTY, TORT (INCLUDING NEGLIGENCE AND STRICT LIABILITY) OR OTHER THEORIES OF LAW, WITH RESPECT TO PRODUCTS SOLD OR SERVICES RENDERED BY SPECTRUM, OR ANY UNDERTAKINGS, ACTS OR OMISSIONS RELATING THERETO.**

Our Customer Service Department is ready to provide immediate attention to any questions, comments or concerns. They are available to answer your calls Monday through Friday from 7 am to 5 pm CST. In addition your product comments or concerns are welcome via e-mail at: [spectrum@spectrumfurniture.com](mailto:spectrum@spectrumfurniture.com).

Warranty Table

effective 1/1/2015

Item	Warranty Period
Adjustable Crank/Electric Desk Legs	• 1 Year
Flat Panel Desk Gas Cylinders	
Chairs <ul style="list-style-type: none"> <li>• Adjustable Height Chair Parts – including frames, gas cylinders, wood and plastic parts, control handles, casters</li> <li>• Adjustable Height Chair Upholstery</li> <li>• In-Stock Upholstery</li> <li>• Graded-In Fabrics and Customer Owned Material</li> </ul>	<ul style="list-style-type: none"> <li>• 7 Years</li> <li>• 2 Years</li> <li>• 2 Years</li> <li>• No Warranty</li> </ul>
Height Adjustable Columns and Lifts	• 1 Year
General Use Casters	
Electrical	• 2 Years
Keyboard/Mouse Trays	• 1 Year
Flat Panel Monitor Arms <ul style="list-style-type: none"> <li>• Flat Panel Monitor Arm – General Parts</li> <li>• Flat Panel Monitor Arm – Gas Cylinders</li> </ul>	<ul style="list-style-type: none"> <li>• 5 Years</li> <li>• 2 Years</li> </ul>
Desks and Lecterns <ul style="list-style-type: none"> <li>• Computer Desk Chassis</li> <li>• Cart Chassis</li> <li>• Lectern Chassis</li> </ul>	• 10 Years



205 Westwood Ave, Long Branch, NJ 07740  
 Phone: 866-94 BOARDS (26273) / (732)-222-1511  
 Fax: (732)-222-7088 | E-mail: [sales@touchboards.com](mailto:sales@touchboards.com)

