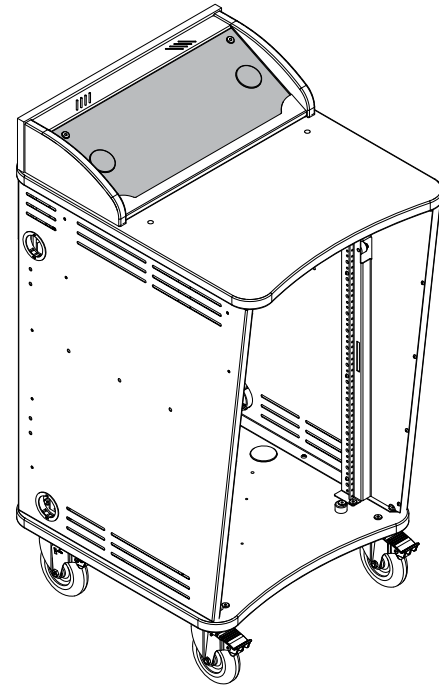
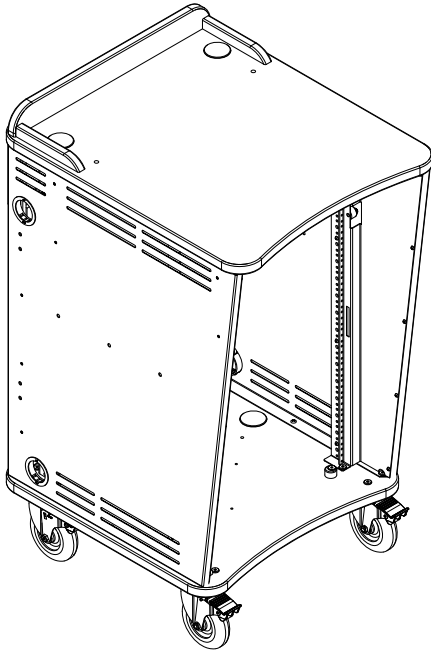


Technical Specifications

55411



Use the Inspiration Plus Lectern where a small-footprint lectern with rack rail for equipment storage is required. The Inspiration Plus Lectern is available in two heights; 36 inch and 42 inch. The 36-inch lectern has 15 rack units available and the 42-inch lectern has 19 rack units. On the audience side is a lockable door that can have an optional custom-cut logo. An optional locking presenter side door is available. The lectern can have either a toe kick or five-inch balloon casters installed for stationary or mobile use. The worksurface is 24-inches wide and 28-inches deep. The worksurface has a surround, two covered wiring holes, and two mounting holes for optional monitor arm installation on the left or right. An optional Overbridge Control Console can be added to the worksurface for additional control access. Up to two optional flip-up shelves can be added to increase the worksurface size. An optional keyboard tray is available. Other options available include a side table that can be mounted to the left or the right side of the lectern, audience side rack rail to double the rack units, and rack-mount accessories (shelves, drawers, cooling fans, and others).

Features and Benefits

- Available in 36" or 42" heights for optimal viewing level
- Durable powder coated steel chassis provides a long-lasting finish
- Scratch and impact-resistant high-pressure laminate top provides a durable, useful worksurface for instructors
- Four inboard 5" locking balloon wheel plate casters with metal construction and non-marring rubber provide the easiest-rolling, and quietest transport in the industry (rated for 325 lb each) (BW / SR)
- Toe kick (TK) version available when mobility is not necessary or desired
- Standard locking audience-side door provides easy-access to equipment (can be flipped to be hinged from the left or right)
- Standard worksurface surround provides privacy and styling
- Blank overbridge console version allows custom cutouts and installation of presentation controllers
- Two 2" cable grommets (left and right) on the worksurface or overbridge provide cable access
- Instructor-side rack-rail equipment mounting (42"H - 19RU, 36"H - 15RU)
- Locking audience side door provides security and easy-access
- Ventilated side panels help keep equipment cool
- Cable grommets keep wires and cords organized
- Can be used in a seated or standing position
- Worksurface and base panel vinyl edging protects walls and furniture
- Lectern ships fully-assembled for quick, simple integration and deployment
- Optional keyboard tray can be installed under worksurface
- Optional flip-up document camera / task shelf provides a convenient additional worksurface
- Optional locking instructor-side door provides security
- Optional 15RU rear rack rail provides additional rack units if necessary
- Optional ADA-compliant side table provides additional presentation space
- Warranted to be free of all defects in materials and workmanship for 10 years
- Designed and assembled in Chippewa Falls, WI, USA

Color Options

See spectrumfurniture.com for complete color options and combinations.

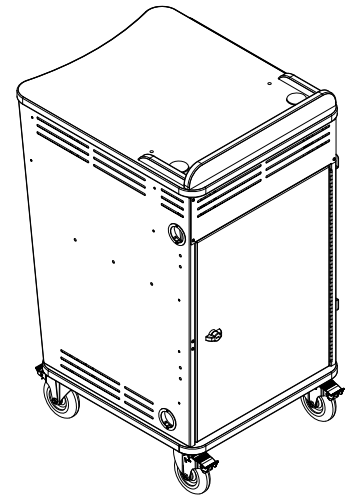
Construction

- The worksurface, base panel, and surround is constructed from 1" thick NAF (no-added formaldehyde) composite board with .030" high-pressure laminate on one face, and a balancing phenolic backer on the opposing face
- Metal components consist of 16-gauge steel
- Worksurface edges are covered with 3mm vinyl
- All metal components are finished with a scratch-resistant powder coat epoxy
- Each Inspiration Plus Lectern is factory-assembled with casters or toe kick, packaged, and shipped on its own skid

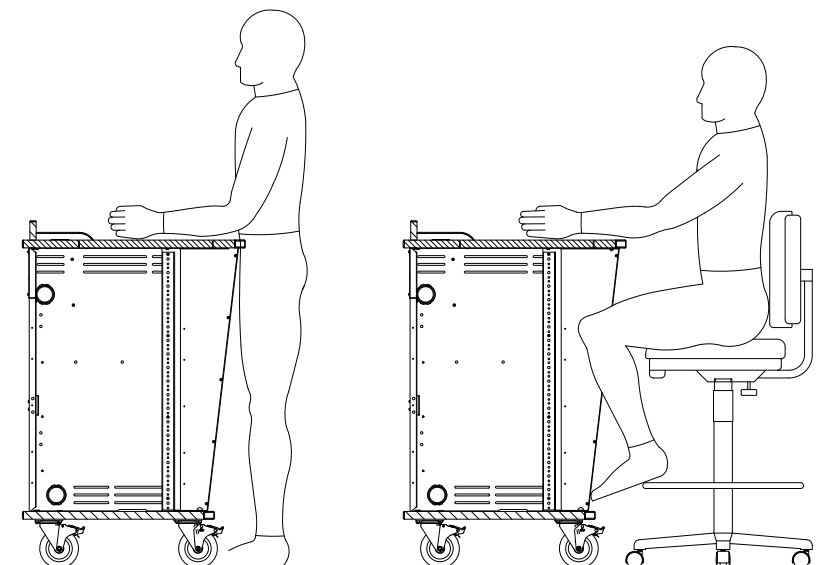
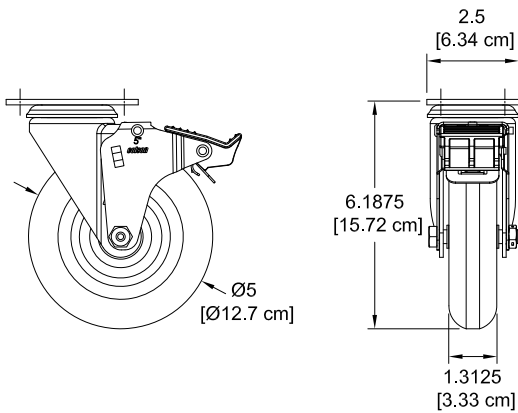
Specifications

Total internal area (nominal)	21.5"W [54.6 cm] x 18.75"D [47.6 cm] x	28"H [71.1 cm] (36"H) 34"H [86.4 cm] (42"H)
Standard rack rail	36"H 15RU	42"H 19RU
5" Balloon Wheels	Weight capacity 325 lb [148 kg] each	
Certifications / Compliance	<ul style="list-style-type: none"> • SCS Indoor Advantage Certified • TAA compliant 	<ul style="list-style-type: none"> • Meets or exceeds applicable ANSI-BIFMA test standards
Unit weight (nominal)	36"H 89 lb [40.4 kg] 99 lb [45 kg] with OCC	42"H 95 lb [43.1 kg] 105 lb [47.7 kg] with OCC
Shipping weight (nominal)	36"H 124 lb [56.3 kg] 134 lb [60.8kg] with OCC	42"H 130 lb [59 kg] 140 lb [63.6 kg] with OCC

Specifications subject to change without notice

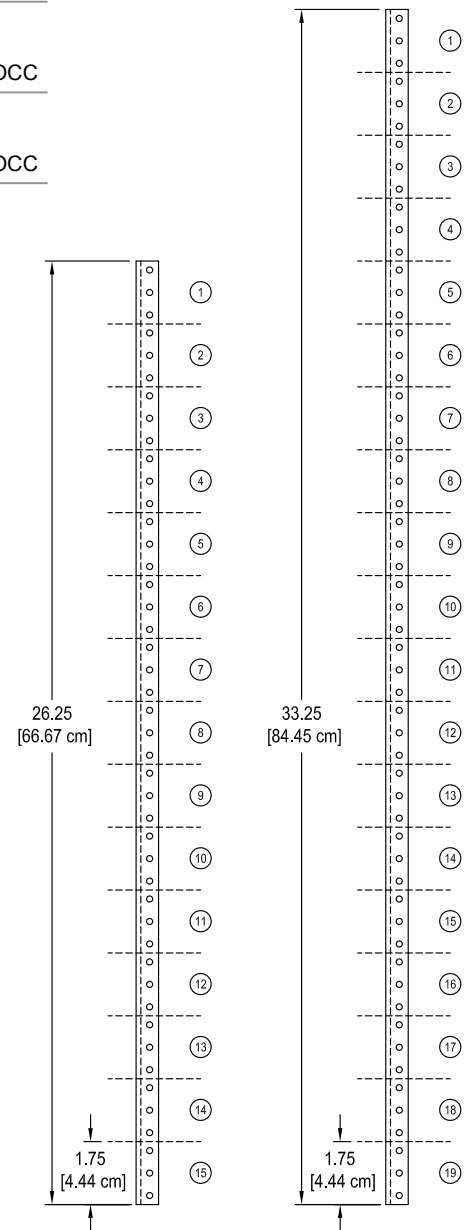


Audience-side view



Standing position
(42" Inspiration Plus shown)

Seated position
(42" Inspiration Plus shown)



36"H
15RU available

42"H
19RU available

Configured Number Breakdown

55411 - FM FM B 42 S1 0 2 5B 0 2 1 1

Parent Number

Instructor-Side Door:

0 = None
1 = Yes

Keyboard Tray:

0 = None
1 = Yes

Cove™ Power Module:

0 = None
1 = Yes-Black
2 = Yes-Silver

Audience-side door with custom logo:

0 = Door only
1 = Door with Custom Logo (*Matching laminate backer*)
2 = Door with Custom Logo (*White laminate backer*)
3 = Door with Custom Logo (*Black laminate backer*)

Base:

5B = Four 5" Swivel Balloon Wheels
SR = Two Swivel / Two Rigid 5" Balloon Wheels
TK = Toe Kick

Flip-Up Shelf: (*Laminate color matches lectern worksurface*)

0 = None
2 = Yes on Right-Side
3 = Yes on Left-Side
4 = Yes on Both Sides (2 shelves)

15RU Rear Rack Rail:

0 = None
1 = Yes

Worksurface Style:

S1 = Surround (no cutouts)
S2 = Surround (with special cutouts)
S4 = Surround with installed Cove power module
B1 = Overbridge Control Console™ - no cutouts
B2 = Overbridge Control Console™ - with special cutouts

Worksurface Height:

36 = 36"H
42 = 42"H

Metal Color:

B = Black
CM = Champagne Metallic
D = Dark Gray
S = Silver Sparkle

	Laminate Color:†	Edgeband Color:
Standard Laminates	FM = Fusion Maple	FM = Fusion Maple
	IO = Indigo Organix	BK = Black (<i>non-matching</i>)
	CH = Wild Cherry	CH = Wild Cherry
Premium Laminates* (28-day lead time)	BK = Black	BK = Black
	BL = Bronze Legacy	BL = Bronze Legacy
	CK = Castle Oak	CK = Castle Oak
	CW = Colombian Walnut	CW = Colombian Walnut
	DZ = Desert Zephyr	DZ = Desert Zephyr
	EM = Empire Mahogany	EM = Empire Mahogany
	MO = Morro Zephyr	MO = Morro Zephyr
	MZ = Misted Zephyr	SN = Silver Northsea (<i>non-matching</i>)
	NP = Nepal Teak	NP = Nepal Teak
	NT = Natural Tigris	NT = Natural Tigris
	PM = Pewter Mesh	PM = Pewter Mesh
	SM = Steel Mesh	SM = Steel Mesh
	TZ = Twilight Zephyr	TZ = Twilight Zephyr
	WF = White Fiesta	BK = Black (<i>non-matching</i>)
	WD = White Chalk Dry Erase	(Matches Laminate Color)

Note: White Chalk Dry Erase laminate is only available on the flip-up shelf option-not the worksurface.

Note: Flip-up shelves configured with white laminate will have the same edgeband color as the worksurface and base panel.

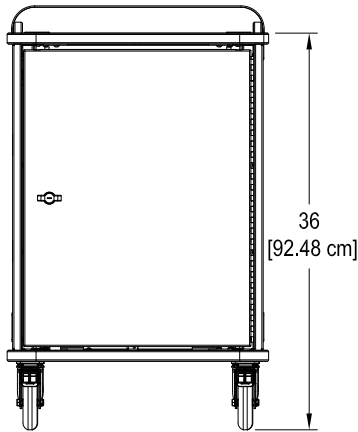
All configured options are factory-installed unless noted otherwise.

* Premium laminate colors require an additional 14 days of lead time.

† Laminate colors come with matching edgeband color, with these exceptions: Indigo Organix Laminate comes with Black edgeband, Misted Zephyr Laminate comes with Silver Northsea edgeband, and White Fiesta Laminate comes with Black edgeband.

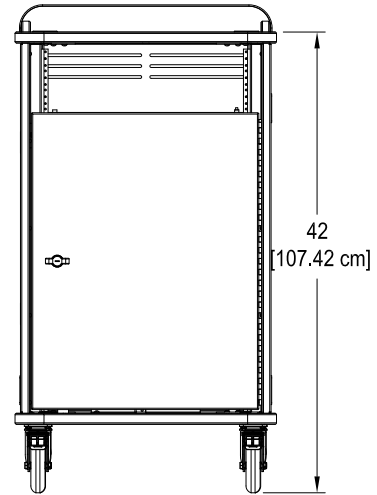
Worksurface Height

ORDER CODE 36 = 36"H



Note: Shown with optional instructor-side door. If the door option is used on a 36"H Inspiration Plus Lectern, a keyboard tray cannot be used.

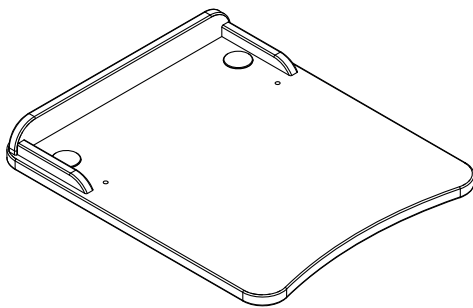
ORDER CODE 42 = 42"H



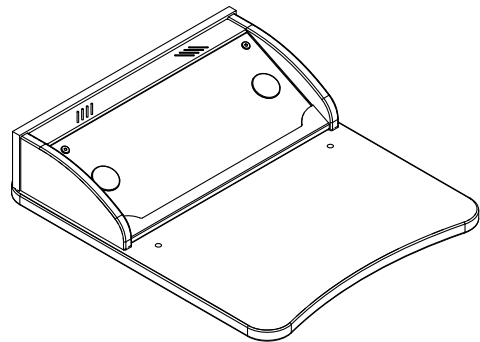
Note: Shown with optional instructor-side door. If the door option is used on a 42"H unit without an installed keyboard tray, a 4RU rack-mount blank should be installed above the door to maintain security.

Worksurface Style

ORDER CODE S1 = Surround



ORDER CODE B1 = Overbridge Control Console

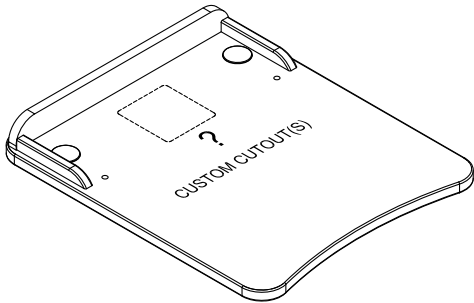


- Surround with two 2" grommet holes with covers in worksurface
- Two .375" holes with plugs for optional monitor arm mounting
- When configured with keyboard tray, the long slide is used

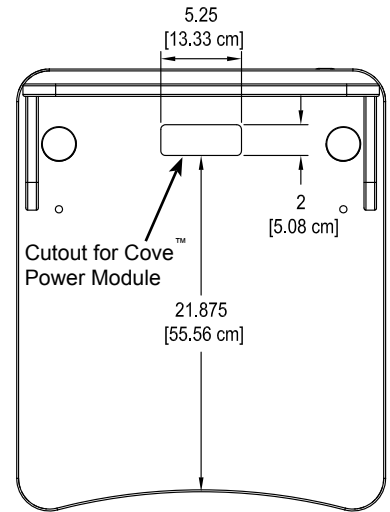
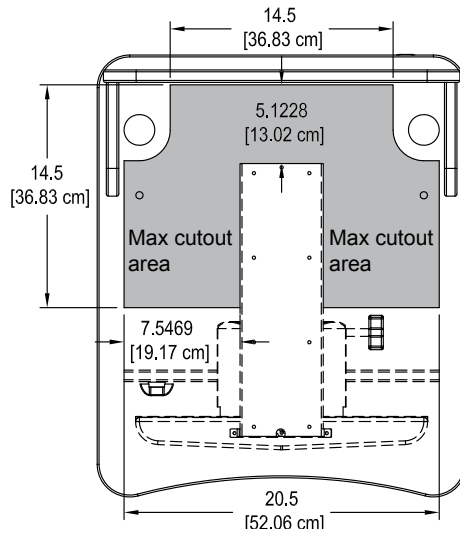
- Overbridge with blank insert panel for custom cutouts (see p.14 for dimensions). Overbridge is not available separately.
- Includes two 2" grommet holes with covers
- Worksurface in front of overbridge includes two .375" holes with plugs for optional monitor arm mounting.
- When configured with keyboard tray, the short slide is used

ORDER CODE S2 = Surround with special cutout(s)

ORDER CODE S4 = Surround with cutout for Cove™ Power Module



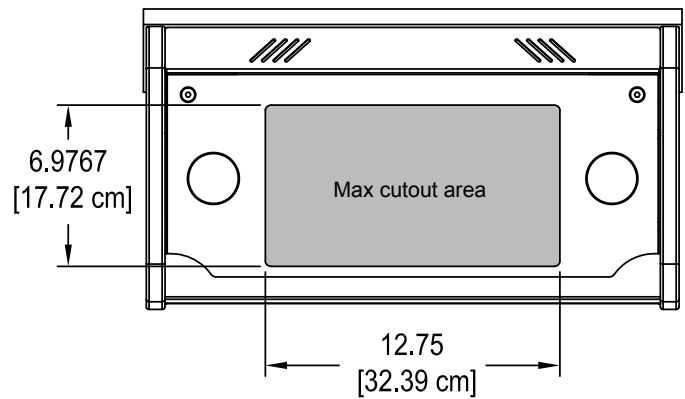
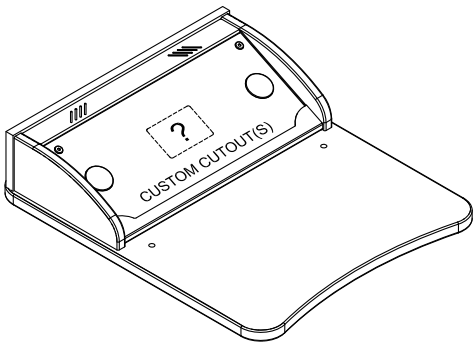
(shown with optional keyboard tray)



- Contact Spectrum to specify cutout size(s) and location(s)
- See location recommendations at right
- When configured with keyboard tray, the cutout size determines if short or long slide is used. Worksurfaces with the standard Cove™ cutout will use the long slide.

ORDER CODE B2 = Overbridge Control Console with special cutout(s)

Inspiration Overbridge insert panel blank (flat view)



- Contact Spectrum to specify cutout size(s) and location(s)
- Panel color: black
- See cutout recommendations at right
- When configured with keyboard tray, the short slide is used

Cutouts in blank overbridge panels can be made by the customer after the lectern has been purchased, but are only recommended within the cutout areas shown.

Spectrum can provide cutouts exactly matching any commercially available data and electrical power outlet, but are only recommended within the maximum cutout areas shown. Cutouts should be reviewed by Spectrum to ensure clearance of brackets, keyboard tray slides, or other objects under the worksurface.

***When ordering a lectern with cutouts, specify complete details of the device(s) (brand, model number, cutout size, quantity, etc.) to the Spectrum sales rep when ordering.**

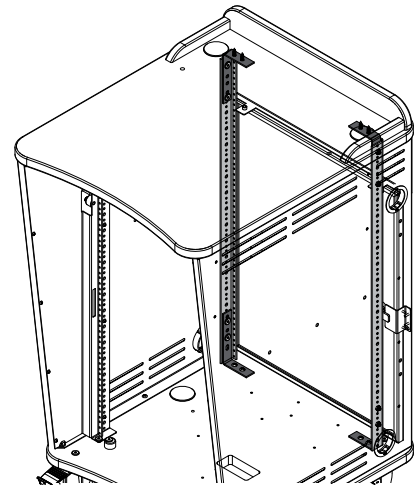
Note: Spectrum Industries, Inc. manufactures furniture that supports a wide variety of power and communication devices from a variety of manufacturers. This lectern is compatible with many Extron, Crestron, Altinex, AMX, and other devices. Spectrum does not resell these products; *please consult your electronic supplier* for the equipment that best suits your needs. Size specifications from the manufacturer can be used to verify the fit.

Note: Some controllers and devices require additional space around the cutout for clamping under the worksurface. Please double check your device specifications to ensure adequate space around the cutout.

ORDER CODE 0 =	None
ORDER CODE 1 =	Yes

15RU Rear Rack Rail Kit

- Set of 2 rails with mounting brackets

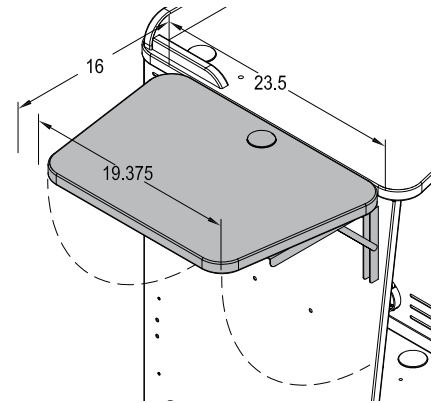


Flip-Up Shelf Option

Flip-Up Shelf - 55412

- Shelf hinges lock into place in the upright position
- Includes 2" grommet
- Mounts on left or right (max 2 per unit)
- Shelf factory-installed level with worksurface

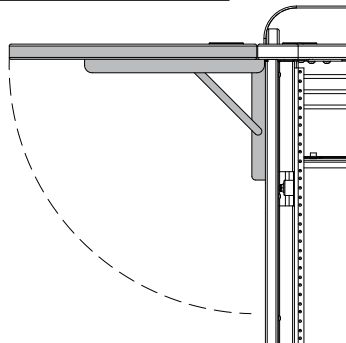
Weight capacity:	35 lb [15.9 kg]
Dimensions:	16"W [40.6 cm] x 19.375"D [49.2 cm]



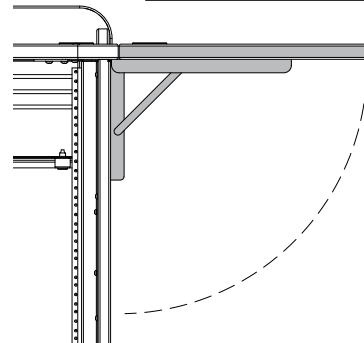
Note: Power and communication wiring for document cameras, laptop computers, and/or projectors placed on the flip-up shelf should be routed on top of the audience-side of the shelf. Use of the shelf grommet hole for wiring will result in pinching of the cords when the shelf is folded.

ORDER CODE 0 = None

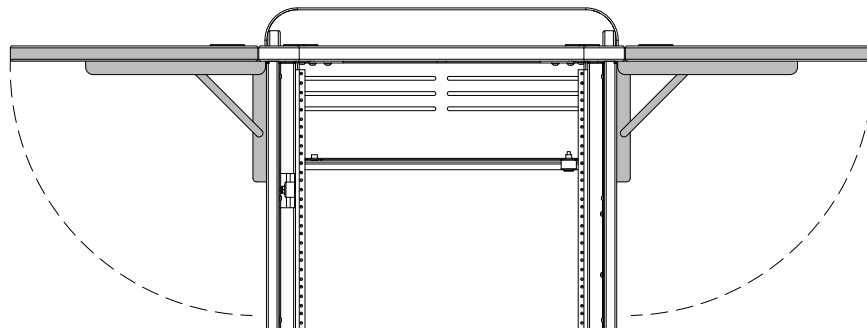
ORDER CODE 3 =
Installed on Left (1 shelf)



ORDER CODE 2 =
Installed on Right (1 shelf)



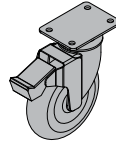
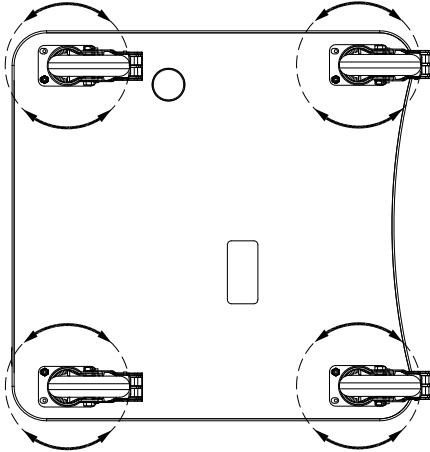
ORDER CODE 4 = Installed on both sides (2 shelves)



ORDER CODE 5B = Four 5" Swivel Balloon Wheels

BW
5" Balloon Wheels (four swivel)

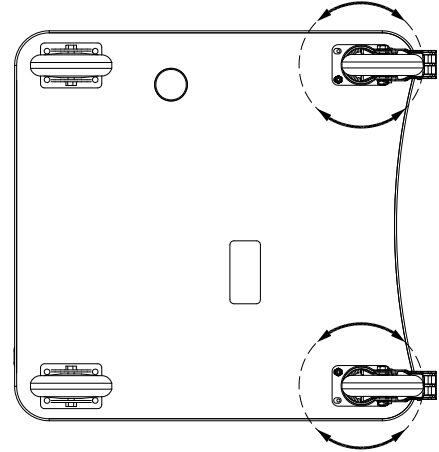
Provides more maneuverability in tight spaces, but less control when mobile



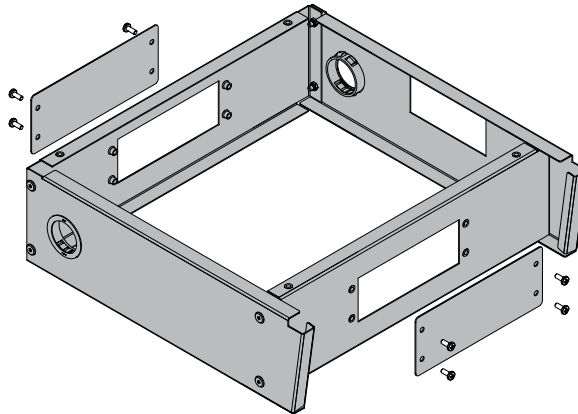
ORDER CODE SR = Two Swivel / Two Rigid 5" Balloon Wheels

SR
5" Balloon Wheels (two swivel / two rigid)

Provides more control when mobile, but less maneuverability in tight spaces



ORDER CODE TK = Toe Kick



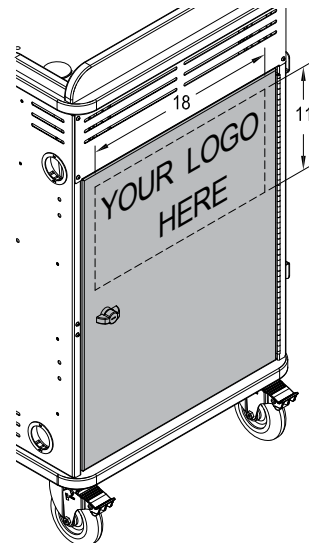
Audience-Side Door with Custom Logo

ORDER CODE 0 =	Door only
ORDER CODE 1 =	Audience-side door with custom logo (with <u>matching laminate</u> backer)
ORDER CODE 2 =	Audience-side door with custom logo (with <u>white laminate</u> backer)
ORDER CODE 3 =	Audience-side door with custom logo (with <u>black laminate</u> backer)

Audience-Side Door with Custom Logo

- Available for 36"H, or 42"H Inspiration lecterns
- With single bolt lock
- To get door customized-contact Spectrum for details
- New logos require a first time logo charge

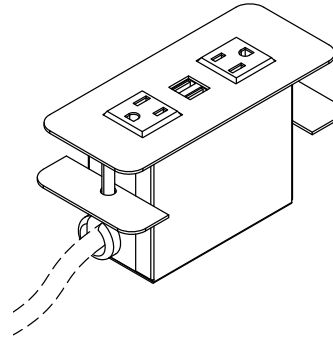
Dimensions: 20.875"W [53 cm] x 27.25"H [69.2 cm]
 Available logo area: 18"W [45.7 cm] x 11"H [27.9 cm]



ORDER CODE 0 =	None
ORDER CODE 1 =	Yes-Black
ORDER CODE 2 =	Yes-Silver

Cove™ Power Module

- Two power receptacles
- Two USB charge ports
- Thumbscrew clamps
- Requires worksurface cutout
- ETL listed
- Available in Black or Silver
- Factory-installed



Cutout required:	5.25"W [13.3 cm] x 2"D [5.1 cm] (mounts to surface thicknesses up to 1.5")
Power cord:	9' [274 cm] with 90° flat plug with 45° rotation
Power receptacles:	12A, 120 VAC spill-resistant
USB charging ports:	2.1A (10.5W)
Dimensions:	6"W [15.2 cm] x 2.5"D [6.35 cm] x 3.18"H [8.1 cm]
Unit weight:	2.29 lb [1 kg]

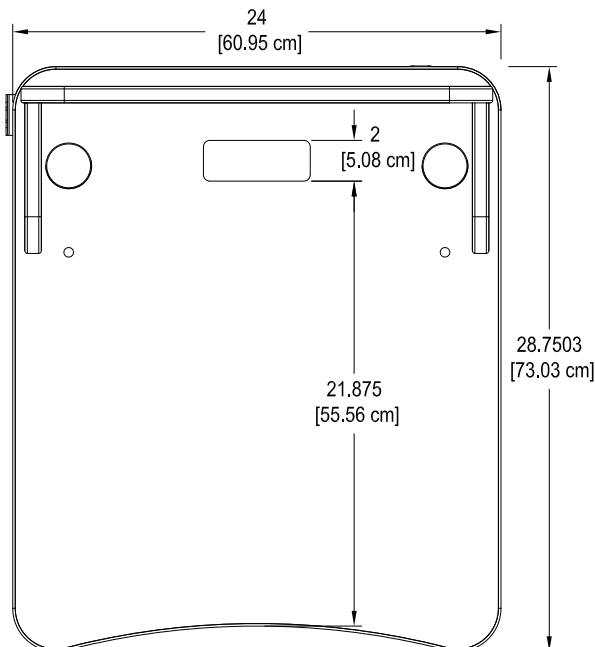
Black Cove™ Power Module



Silver Cove™ Power Module



Standard Cove location
(available in Surround version only)



ORDER CODE 0 =	None
ORDER CODE 1 =	Yes

Adjustable Econo Keyboard Tray

- Keyboard tray: 18.375"W [46.67 cm]
- Max 1 per unit

Capacity:	1 Keyboard
Dimensions:	18.97"W [2.46 cm] x 16.7"D [42.4 cm]
Platform clamping range:	5.375"D [13.7 cm] - 9.25"D [23.5 cm] <i>(Keyboard depth must be within this range)</i>
Tilt	+ / - 15°

Keyboard Tray with Long Slide:

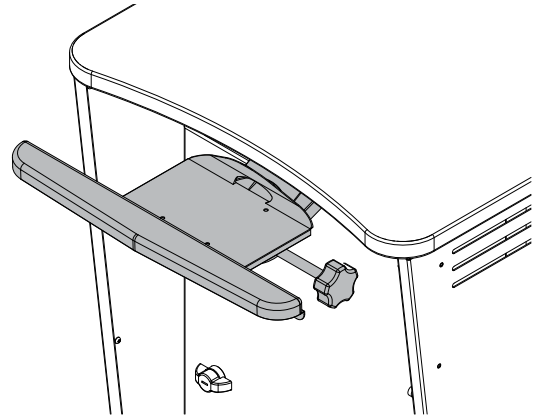
17.75"D [45.1 cm]

- Included on configured lecterns with:
- Surround worksurfaces

Keyboard Tray with Short Slide:

13.75"D [30.5 cm]

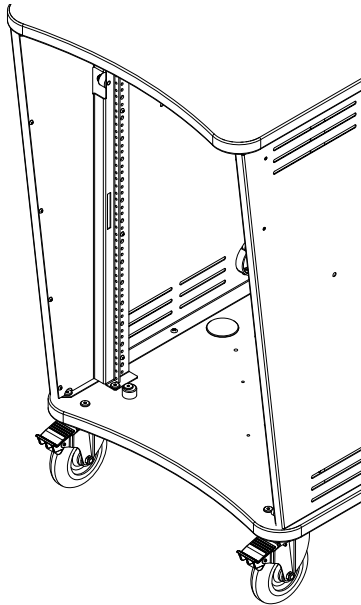
- Included on configured lecterns with:
- Overbridge worksurface
 - Surround worksurface with large custom cutouts



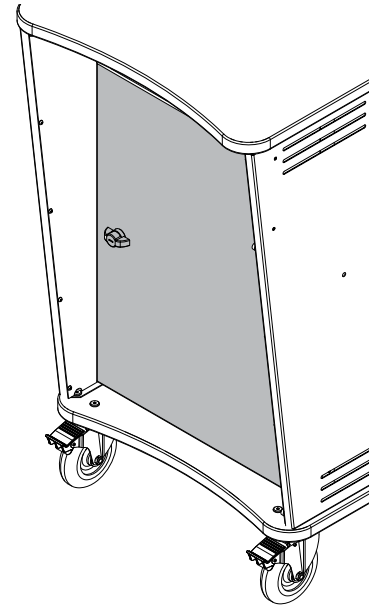
Note: The keyboard tray occupies 3RU at top of rack rail. Shown with optional instructor-side door. If the door option is used on a 36"H Inspiration Plus Lectern, a keyboard tray cannot be used.

Instructor-side door

ORDER CODE 0 = None



ORDER CODE 1 = Yes



Instructor-Side Door

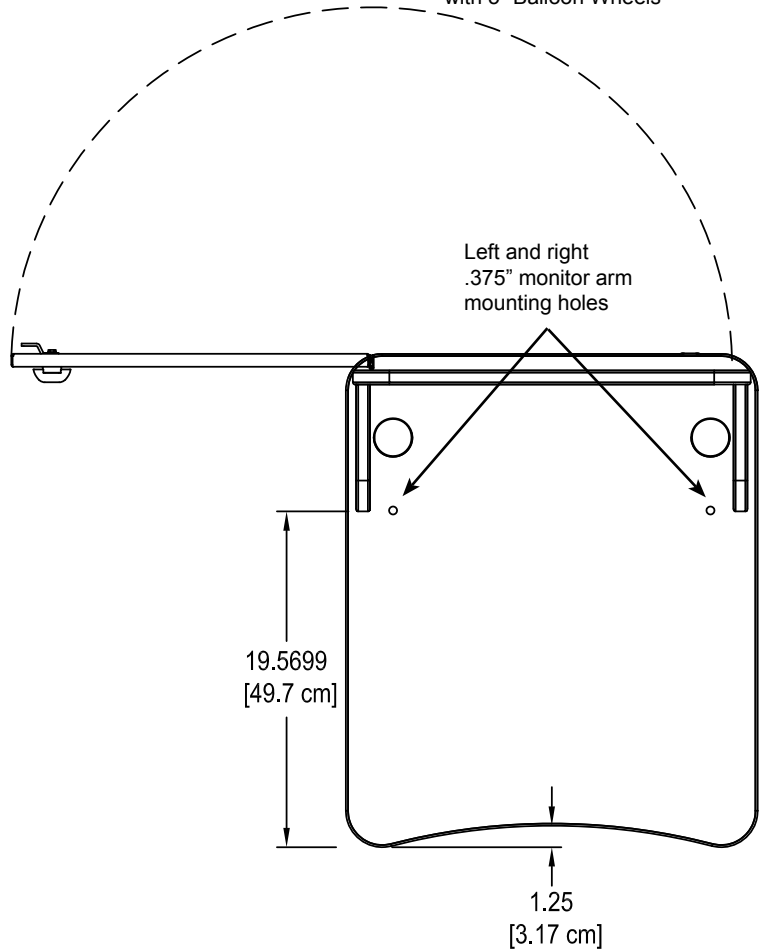
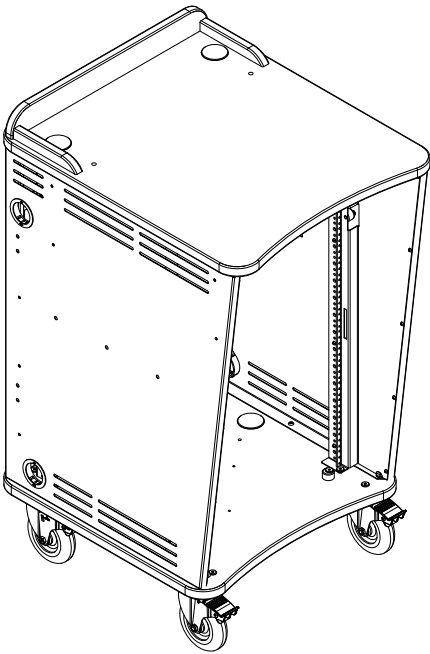
- Available for 36"H, or 42"H lecterns
- With single bolt lock
- Can be installed to be hinged on left or right

Dimensions: 20.875"W [53 cm] x 27.25"H [69.2 cm]

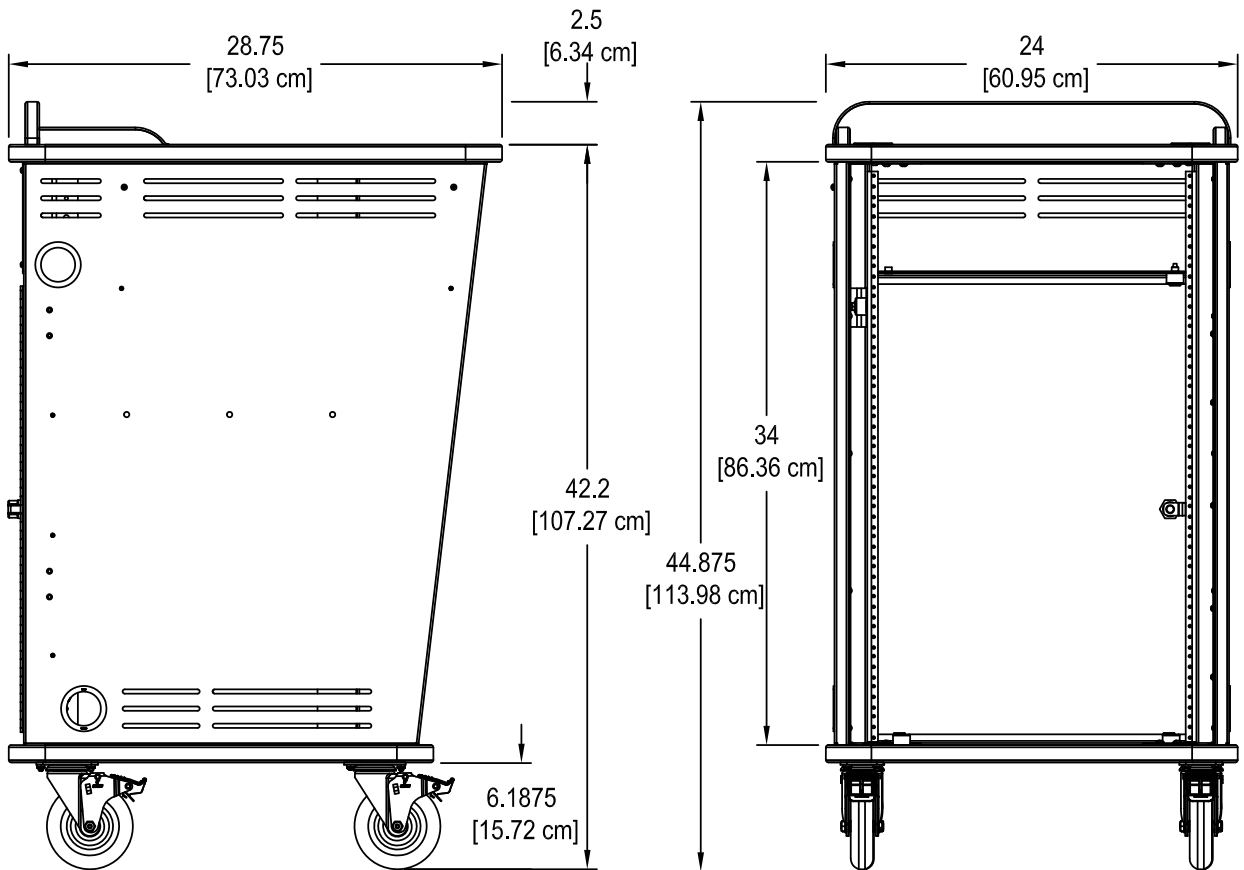
Available logo area: 18"W [45.7 cm] x 11"H [27.9 cm]

Note: When the door option is used on a 36"H Inspiration Plus Lectern, a keyboard tray cannot be used. If the door option is used on a 42"H unit without an installed keyboard tray, a 4RU rack-mount blank is recommended above the door to maintain security.

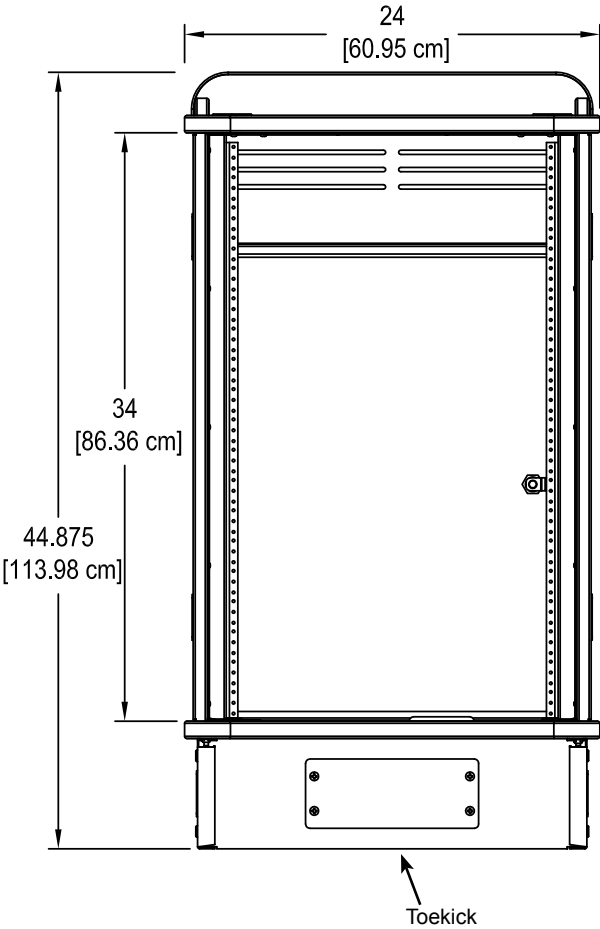
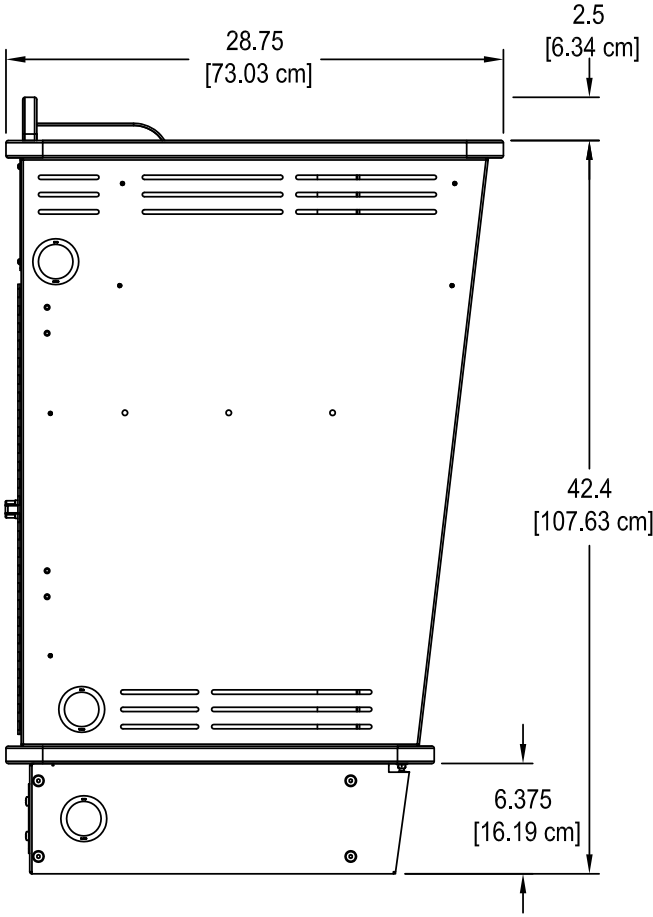
42" Inspiration Plus Lectern
with 5" Balloon Wheels



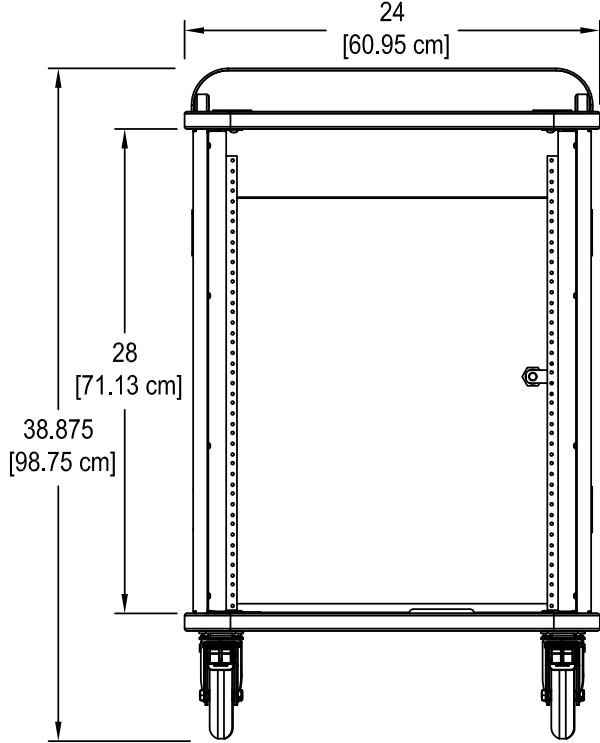
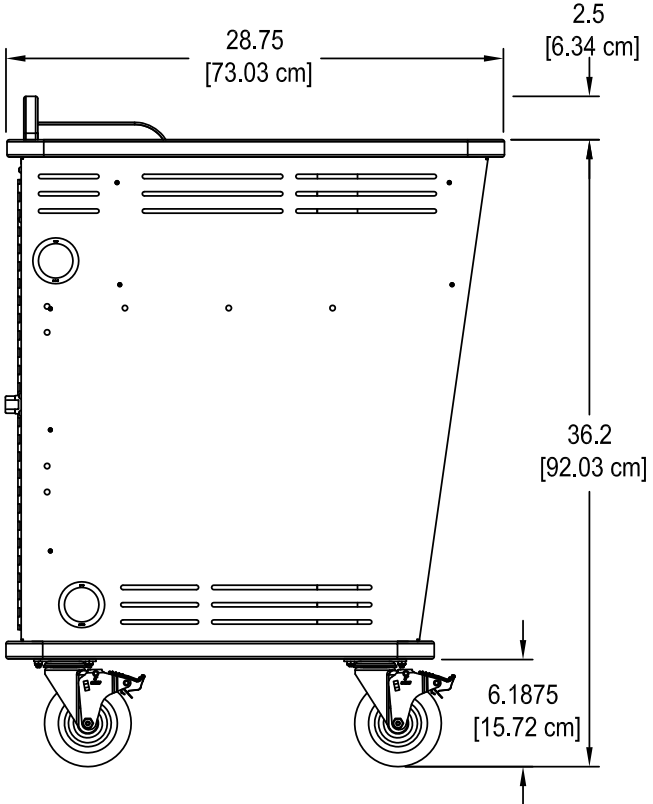
Note: Modified worksurface cutouts should be reviewed by Spectrum to ensure clearance of brackets, keyboard slides, or other objects under the worksurface.

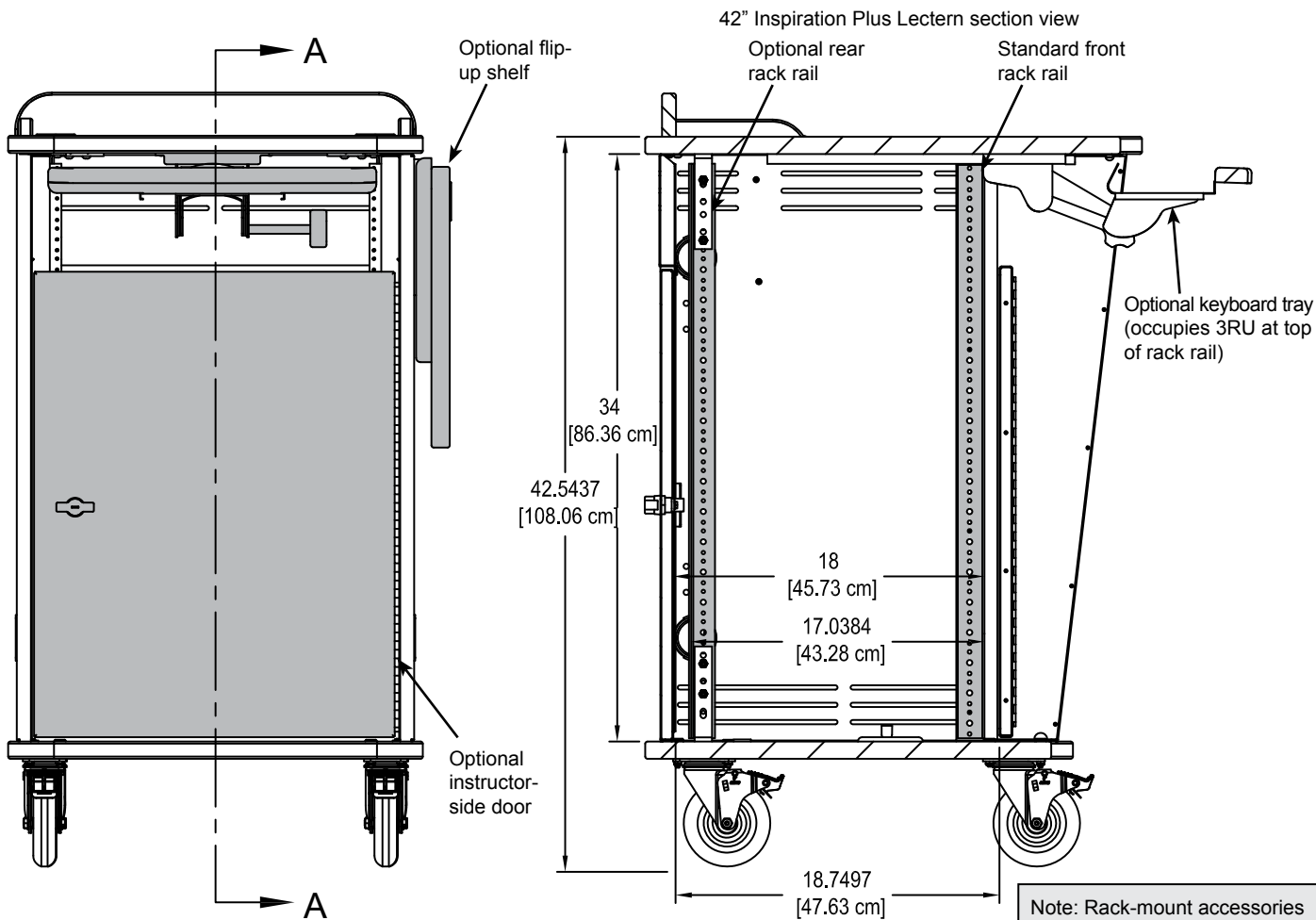


42" Inspiration Plus Lectern with Toekick

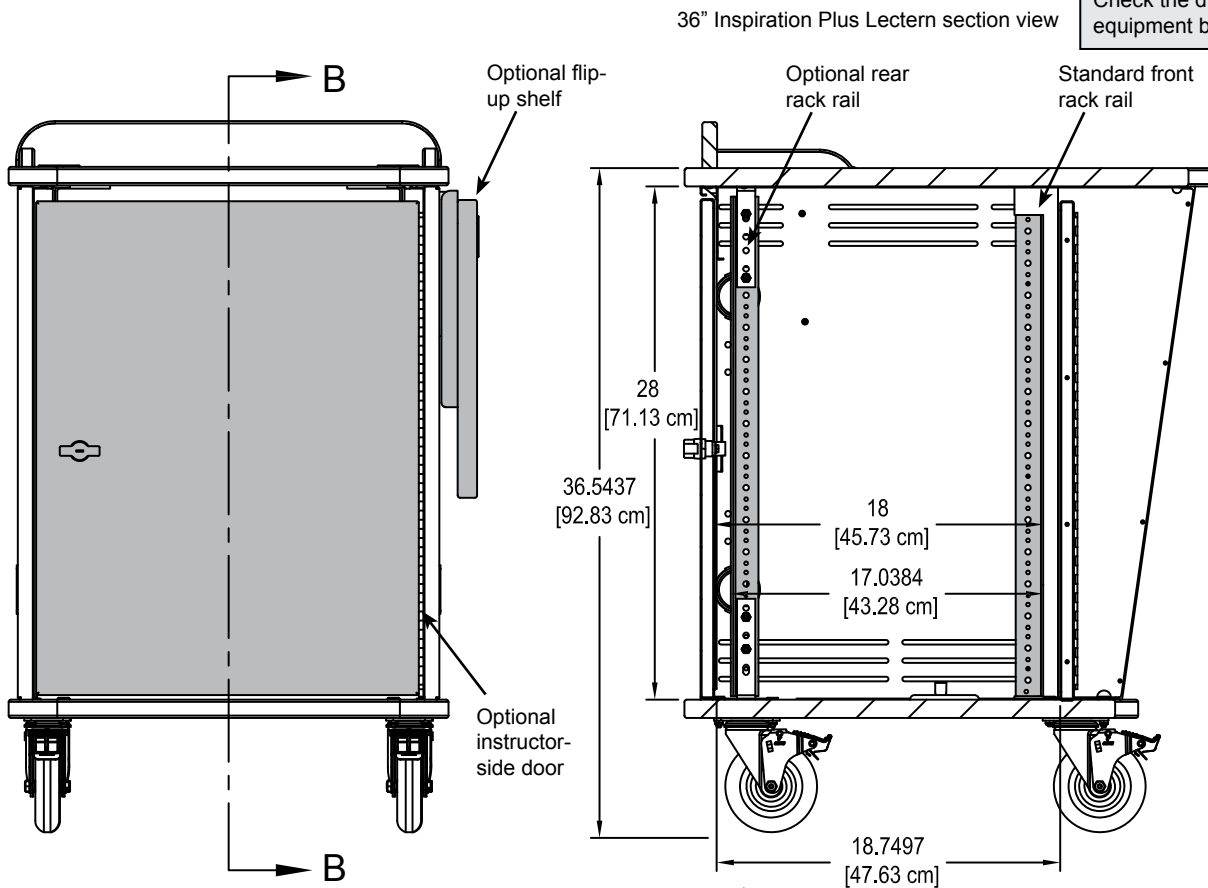


36" Inspiration Plus Lectern with 5" Balloon Wheels

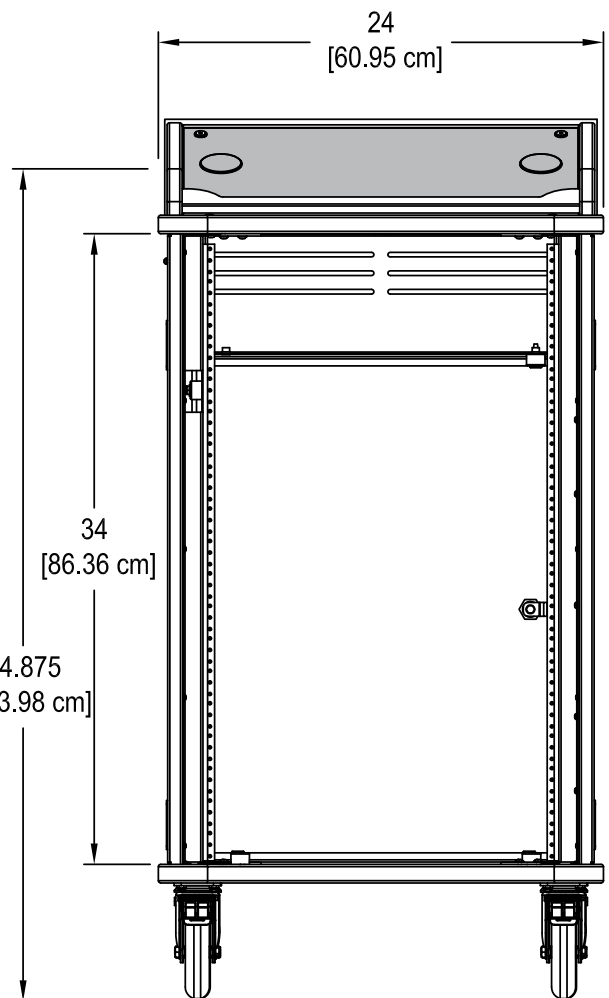
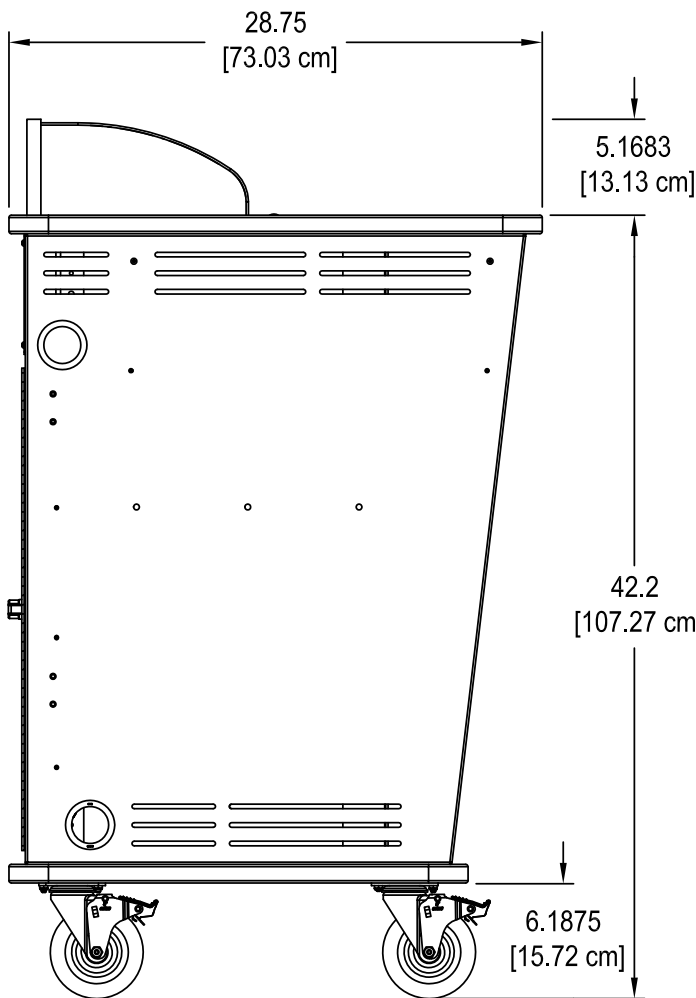
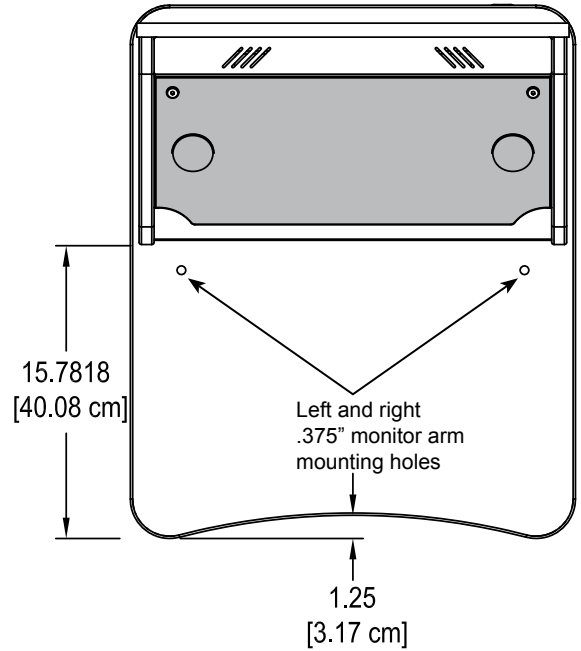
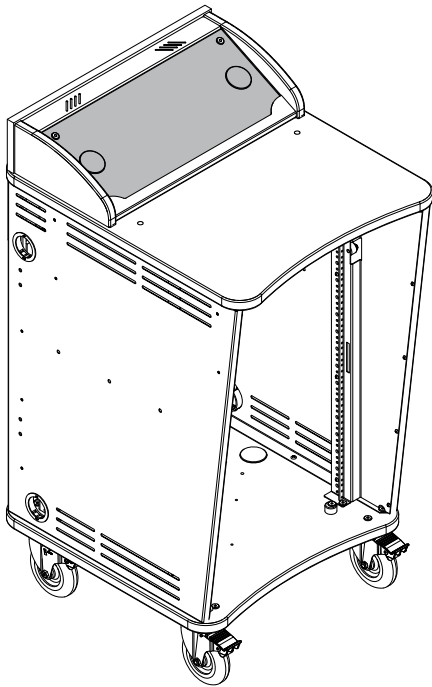




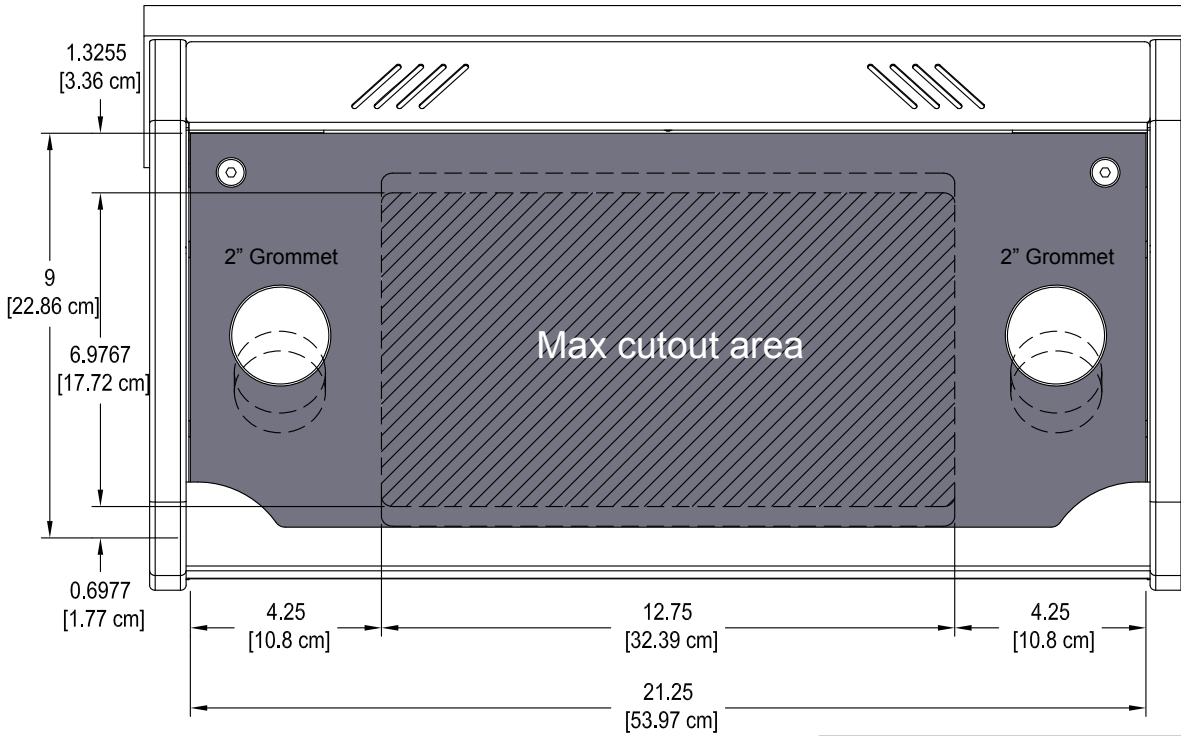
Note: Rack-mount accessories with a depth greater than 18"D will not fit inside the lectern. Check the dimensions of all equipment before installation.



36" Inspiration Plus Lectern
with Overbridge Control Console
and 5" Balloon Wheels



Inspiration Plus Overbridge Insert Panel Blank
(flat view)

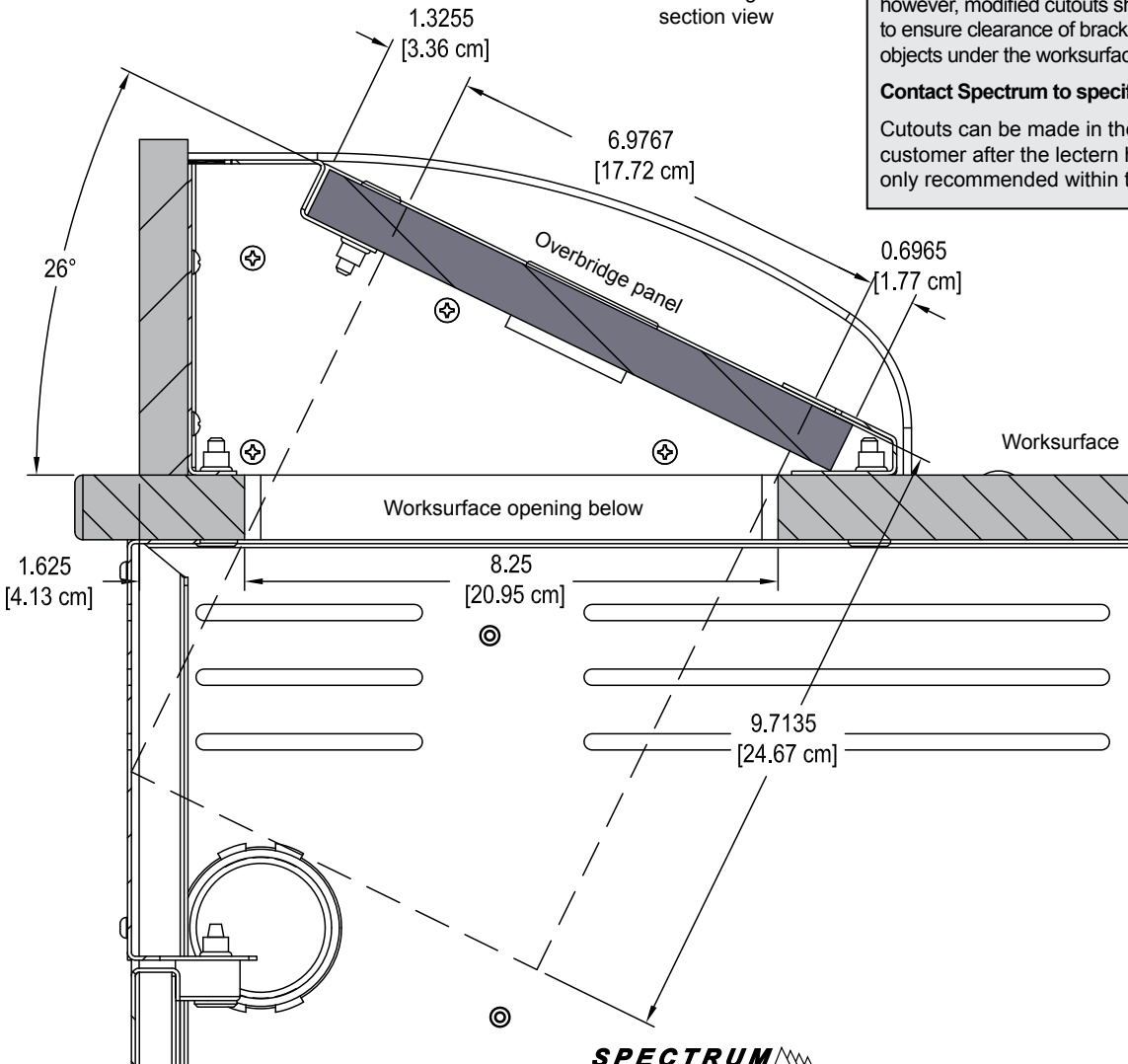


Note: The Overbridge Control Console™ has been designed for many of the currently available controllers on the market, however, modified cutouts should be reviewed by Spectrum to ensure clearance of brackets, keyboard slides, or other objects under the worksurface.

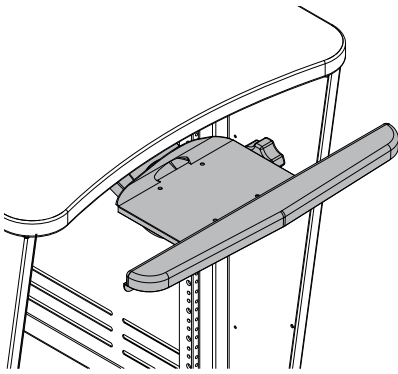
Contact Spectrum to specify cutout size(s) and location(s).

Cutouts can be made in the blank insert panel by the customer after the lectern has been purchased, but are only recommended within the cutout area shown.

Overbridge section view



Accessories (Available separately after initial configured purchase.)



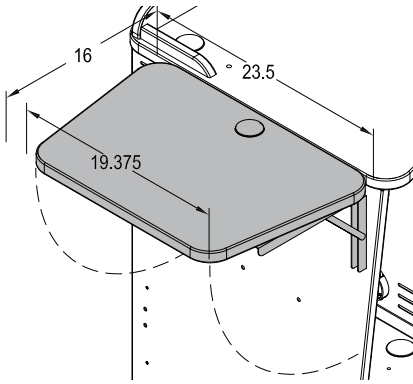
Adjustable Econo Keyboard Tray

95520 - Long slide: 17.75"D [45.1 cm]
(for surround lecterns)

95531 - Short slide: 13.75"D [30.5 cm]
(for overbridge lecterns)

Capacity:	1 Keyboard
Dimensions:	18.97"W [2.5 cm] x 16.7"D [42.4 cm]
Platform clamping range:	5.375"D [13.7 cm] - 9.25"D [23.5 cm] (Keyboard depth must be within this range)
Tilt	+ / - 15°
Shipping weight:	14 lb [6.4 kg]

Note: When fully-retracted, the keyboard tray occupies 3RU of rack space at the top of the lectern. When the door option is used on a 36"H Inspiration Plus Lectern, a keyboard tray cannot be used.

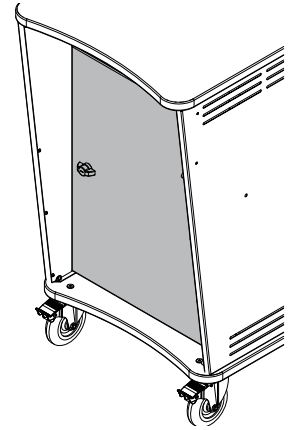


Flip-Up Shelf - 55412

- Shelf hinges lock into place in the upright position
- Includes 2" grommet
- Mounts on left or right (max 2 per unit)

Weight capacity:	35 lb [15.9 kg]
Dimensions:	16"W [40.6 cm] x 19.375"D [49.2 cm]
Shipping weight:	N/A

Note: Power and communication wiring for document cameras, laptop computers, and/or projectors placed on the flip-up shelf should be routed on top of the audience-side of the shelf. Use of the shelf grommet for wiring will result in pinching of the cords when the shelf is folded.

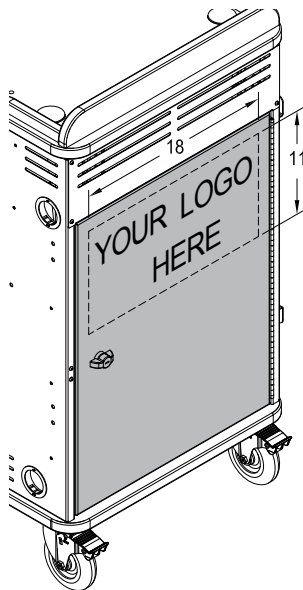


Instructor-Side Door - 55405

- Available for 36"H, or 42"H lecterns
- With single bolt lock
- Can be installed to be hinged on left or right

Dimensions:	20.875"W [53 cm] x 27.25"H [69.2 cm]
Available logo area:	18"W [45.7 cm] x 11"H [27.9 cm]
Shipping weight:	14.1 lb [6.4 kg]

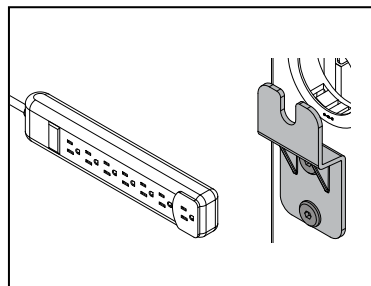
Note: When the door option is used on a 36"H Inspiration Plus Lectern, a keyboard tray cannot be used. If the door option is used on a 42"H unit without an installed keyboard tray, a 4RU rack-mount blank is recommended above the door to maintain security.



Audience-Side Door with Custom Logo - 55414

- Available for 36"H, or 42"H Inspiration lecterns
- With single bolt lock
- To get door customized-contact Spectrum for details
- New logos require a first time logo charge

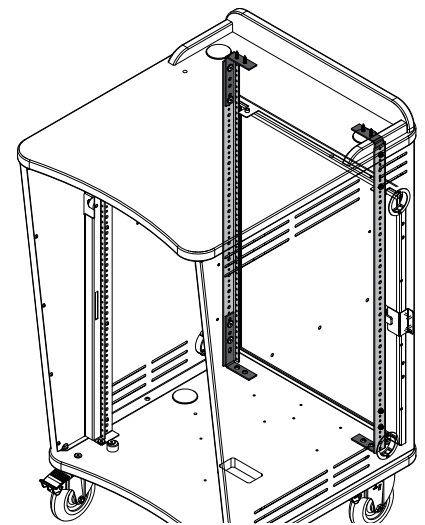
Dimensions:	20.875"W [53 cm] x 27.25"H [69.2 cm]
Available logo area:	18"W [45.7 cm] x 11"H [27.9 cm]
Shipping weight:	14.1 [6.4 kg]



Power Strip + (2) Cord Wraps - 55404

- 7-outlet surge-protected

Power Strip:	12"W [30.5 cm] x 2"D [5.1 cm] x 1.3125"H [3.3 cm]
Power Cord:	24" [457.2 cm] cord
Shipping weight:	2.4 lb [1.1 kg]



Rear Rack Rail Kit

- **55408** - 36"H [91.4 cm] (15RU)
 - **55407** - 42"H [106.7 cm] (19RU)
 - Set of 2 rails with mounting brackets
- | | |
|------------------|-------------------------|
| Shipping weight: | 4.9 lb [2.2 kg] - 55408 |
| | 5.9 lb [2.7 kg] - 55407 |

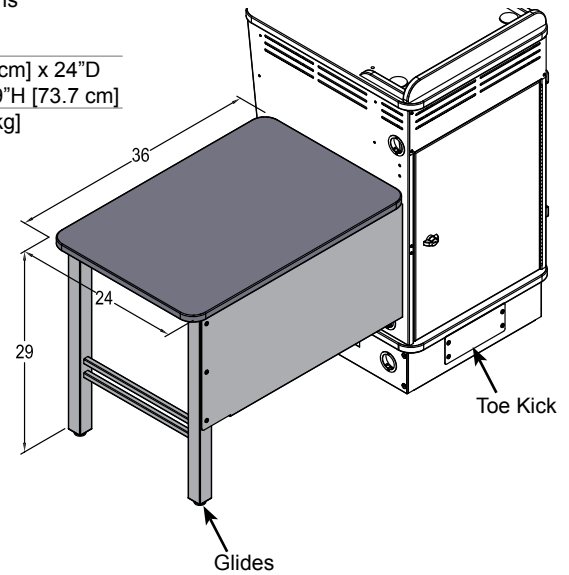
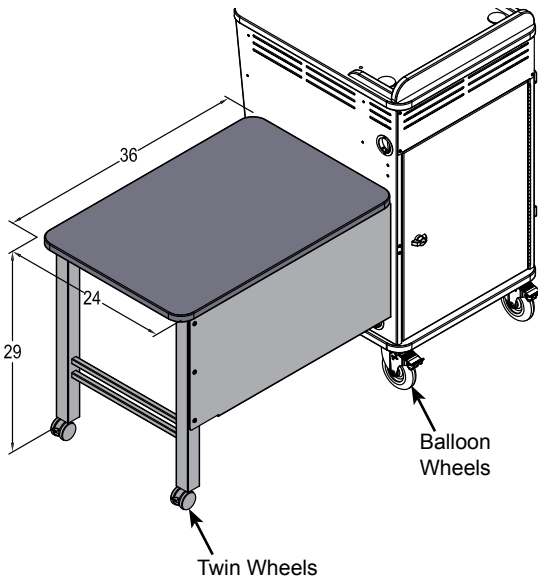
Note: 42" Inspiration Plus Lecterns have an audience-side structural panel that limits accessible rear rack spacing to 15RU.

Inspiration Side Table - 55413



- For 36"H, or 42"H lecterns
- ADA-compliant
- Available with Twin-wheels casters for BW lecterns, or Glides for TK lecterns
- Mounts on left or right-side

Dimensions: 36"W [91.4 cm] x 24"D
 [61 cm] x 29"H [73.7 cm]
 Shipping weight: 62 lb [28.1 kg]



Product number breakdown

55413 - FM FM CM TW 0

Parent Number

Custom Worksurface Cutout Request:

- 0 = None
- 2 = Yes - in Worksurface

Base:

- 1 = Twin Wheels
- 2 = Toe Kick

Metal Color:

- B = Black
- CM = Champagne Metallic
- D = Dark Gray
- S = Silver Sparkle

	Laminate Color:†	Edgeband Color:
Standard Laminates	FM = Fusion Maple	FM = Fusion Maple
	IO = Indigo Organix	BK = Black (<i>non-matching</i>)
	CH = Wild Cherry	CH = Wild Cherry
Premium Laminates* (28-day lead time)	BK = Black	BK = Black
	BL = Bronze Legacy	BL = Bronze Legacy
	CK = Castle Oak	CK = Castle Oak
	CW = Colombian Walnut	CW = Colombian Walnut
	DZ = Desert Zephyr	DZ = Desert Zephyr
	EM = Empire Mahogany	EM = Empire Mahogany
	MO = Morro Zephyr	MO = Morro Zephyr
	MZ = Misted Zephyr	SN = Silver Northsea (<i>non-matching</i>)
	NP = Nepal Teak	NP = Nepal Teak
	NT = Natural Tigris	NT = Natural Tigris
	PM = Pewter Mesh	PM = Pewter Mesh
	SM = Steel Mesh	SM = Steel Mesh
	TZ = Twilight Zephyr	TZ = Twilight Zephyr
	WF = White Fiesta	BK = Black (<i>non-matching</i>)
	WD = White Chalk Dry Erase	(Matches Laminate Color)

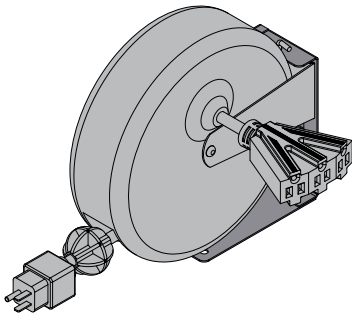
Note: White Chalk Dry Erase laminate is only available on the flip-up shelf option-not the worksurface.

Note: Flip-up shelves configured with white laminate will have the same edgeband color as the worksurface and base panel.

All configured options are factory-installed unless noted otherwise.

* Premium laminate colors require an additional 14 days of lead time.

† Laminate colors come with matching edgeband color, with these exceptions: Indigo Organix Laminate comes with Black edgeband, Misted Zephyr Laminate comes with Silver Northsea edgeband, and White Fiesta Laminate comes with Black edgeband.



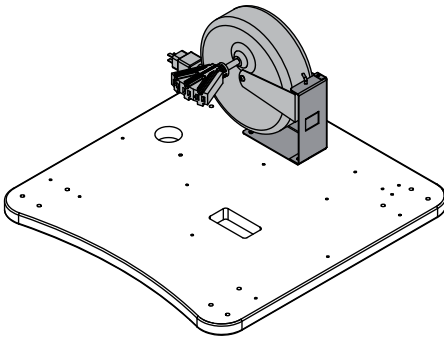
Universal Cord Reel Kit - 99037

- Includes universal mounting bracket
- Mounts inside lectern to base panel
- Adjustable ball stop and releasable cord-locking ratchet holds the cord at any length up to 15'
- cUL listed
- Customer-installed

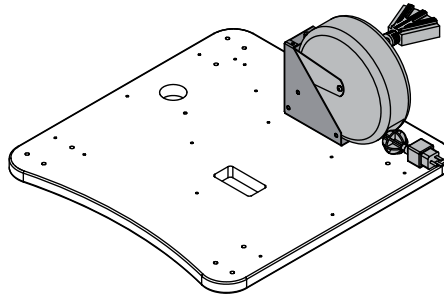
Power cord:	15' nominal, 12 AWG retractable power cord
Power receptacles:	<ul style="list-style-type: none"> • Molded 3-prong male plug with 15A breaker and reset button • Tri-tap (3-outlet) receptacle
Universal mounting bracket:	<ul style="list-style-type: none"> • 16-gauge steel • Black powder coat • Includes mounting screws
Unit weight:	10 lb [4.5 kg]
Shipping weight:	10.8 lb [4.9 kg]

The cord reel is intended to provide temporary access to electrical outlets for Spectrum mobile lecterns. Check local electrical codes prior to installation.

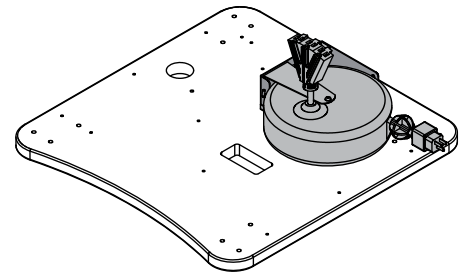
Optional Universal Cord Reel
(Available positions on base)



Vertical left
(takes up 6RU)

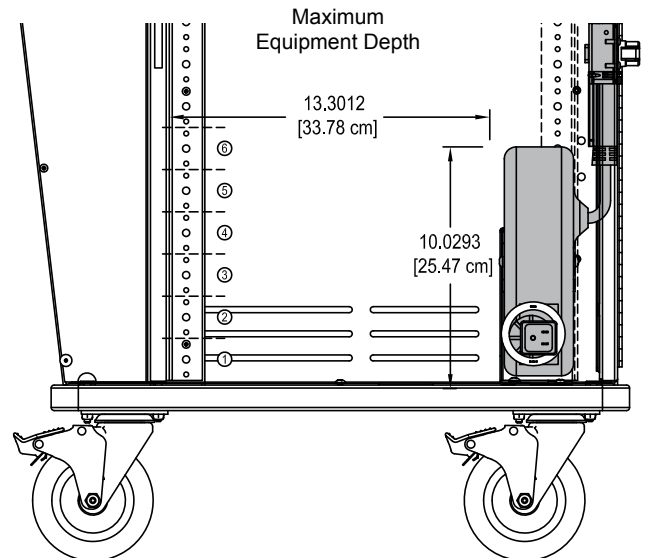
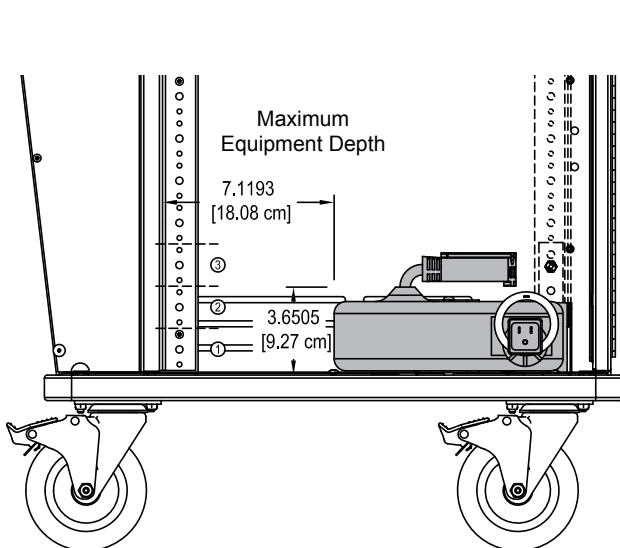


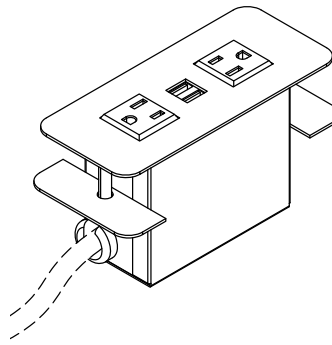
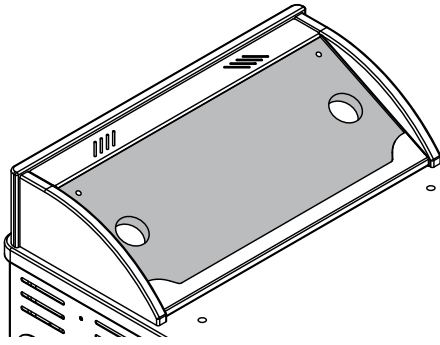
Vertical right
(takes up 6RU)



Horizontal right
(takes up 3RU)

Available rack spacing





Overbridge Insert Panel

- 96501** - Blank panel
- 96501mod** - Panel with cutout(s)

Contact Spectrum to specify cutout size(s) and position(s)

- For overbridge version only
- Overbridge not available separately
- Includes two 2" [5.08 cm] grommets with covers
- Shipping weight: 5.7 lb [2.6 kg]

Cove™ Power Module - 99044

- Two power receptacles
- Two USB charge ports (not data-compatible)
- Thumbscrew clamps
- Requires worksurface cutout
- ETL listed
- Available in Black or Silver
- Customer-installed

Cutout required:	5.25"W [13.3 cm] x 2"D [5.1 cm]
Power cord:	9' [274 cm] with 90° flat plug with 45° rotation
Power receptacles:	12A, 120 VAC spill-resistant
USB charging ports:	2.1A (10.5W)
Dimensions:	6"W [15.2 cm] x 2.5"D [6.35 cm] x 3.18"H [8.1 cm]
Unit weight:	2 lb [.9 kg]
Shipping weight:	2.29 lb [1 kg]

Warranty

WE WILL MAKE IT RIGHT FOR YOU!

Spectrum is committed to provide complete customer satisfaction. Each of our products is manufactured from the best materials available and each product is stringently monitored throughout the production process through our P.A.C.E. program (Product Assurance to meet Customer Expectations).

We expressly warrant that Spectrum products will be of good quality and workmanship and free from defect for the period set out in the warranty table below from the date of delivery. This warranty shall not apply to defects or damage resulting from misuse, abuse, neglect, improper care, modification or repair not authorized by Spectrum, or any other cause outside the control of Spectrum. Spectrum will, at its sole option, either repair or replace the defective product.

This warranty is exclusive; no other warranty, written or oral, is expressed or implied. This warranty is given by Spectrum to Buyer and to no other person or legal entity. No Spectrum dealer, distributor, agent or employee is authorized to make any modification or addition to this warranty.

NOTWITHSTANDING ANYTHING TO THE CONTRARY, SPECTRUM WILL NOT UNDER ANY CIRCUMSTANCES BE LIABLE FOR INDIRECT OR LIQUIDATED DAMAGES, INCLUDING CONSEQUENTIAL, INCIDENTAL AND SPECIAL DAMAGES. IN NO EVENT SHALL SPECTRUM'S LIABILITY, WHETHER UNDER CONTRACT OR WARRANTY, IN TORT OR OTHERWISE, EXCEED THE PURCHASE PRICE RECEIVED BY SPECTRUM FOR THE PRODUCT AT ISSUE AND "RECALL ACTION" EXPENSES. SPECTRUM SHALL NOT BE SUBJECT TO ANY OTHER OBLIGATIONS OR LIABILITIES, WHETHER ARISING OUT OF BREACH OF CONTRACT, WARRANTY, TORT (INCLUDING NEGLIGENCE AND STRICT LIABILITY) OR OTHER THEORIES OF LAW, WITH RESPECT TO PRODUCTS SOLD OR SERVICES RENDERED BY SPECTRUM, OR ANY UNDERTAKINGS, ACTS OR OMISSIONS RELATING THERETO.

Our Customer Service Department is ready to provide immediate attention to any questions, comments or concerns. They are available to answer your calls Monday through Friday from 7 am to 5 pm CST. In addition your product comments or concerns are welcome via e-mail at: spectrum@spectrumfurniture.com.

Warranty Table

Item	Warranty Period effective 1/1/2015
Adjustable Crank / Electric Desk Legs	• 1 Year
Flat Panel Desk Gas Cylinders	
Chairs <ul style="list-style-type: none"> • Adjustable Height Chair Parts – including frames, gas cylinders, wood and plastic parts, control handles, casters • Adjustable Height Chair Upholstery • In-Stock Upholstery • Graded-In Fabrics and Customer Owned Material 	<ul style="list-style-type: none"> • 7 Years • 2 Years • 2 Years • No Warranty
Height Adjustable Columns and Lifts	• 1 Year
General Use Casters	
Electrical (including timers and LINAK actuators)	• 2 Years
Keyboard / Mouse Trays	• 1 Year
Flat Panel Monitor Arms <ul style="list-style-type: none"> • Flat Panel Monitor Arm – General Parts • Flat Panel Monitor Arm – Gas Cylinders 	<ul style="list-style-type: none"> • 5 Years • 2 Years
Desks and Lecterns <ul style="list-style-type: none"> • Computer Desk Chassis • Cart Chassis • Lectern Chassis 	• 10 Years

