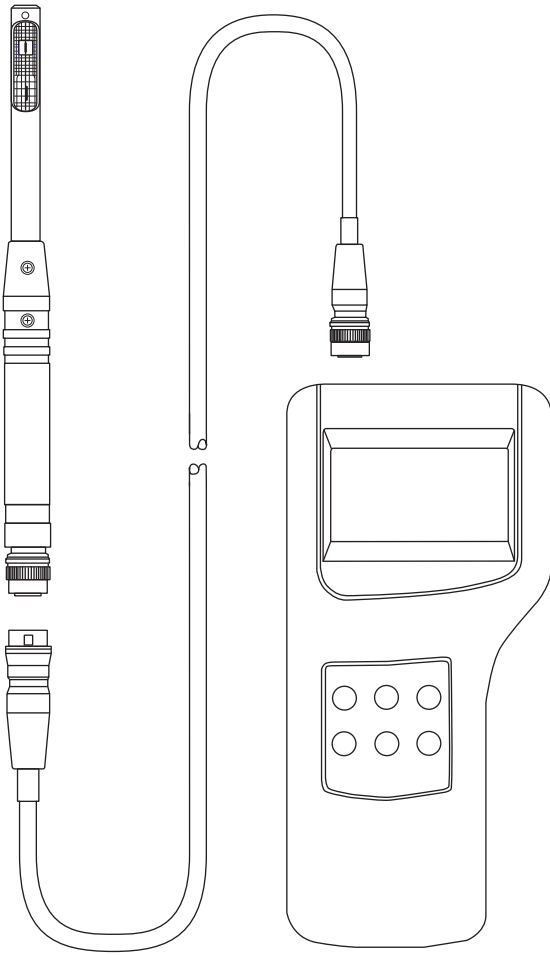
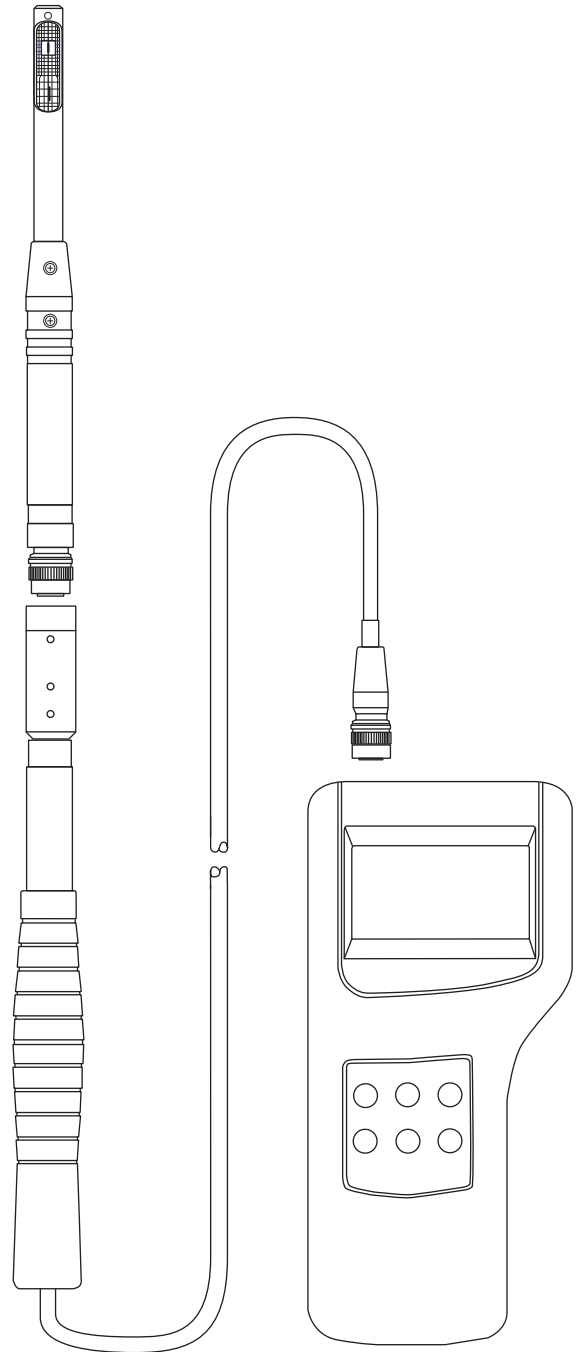


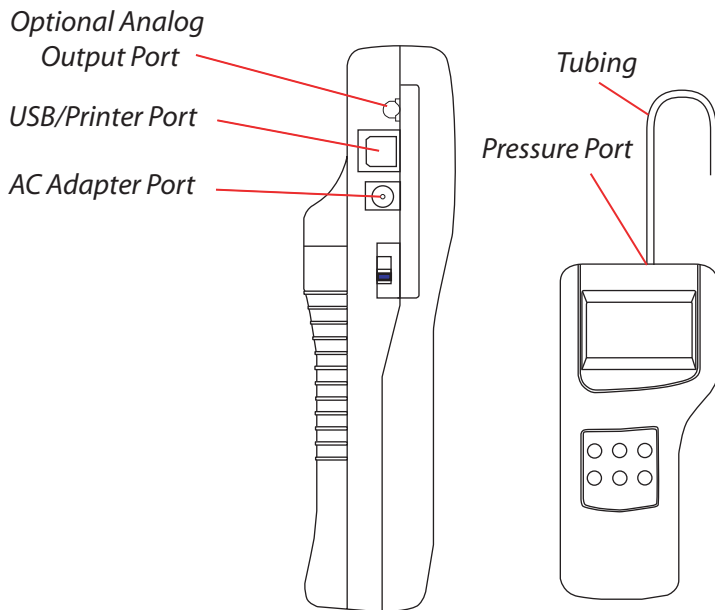
# Engineering Drawings for Climomaster, Extension Rods and Probes



*Climomaster shown with cable and a uni-directional probe*



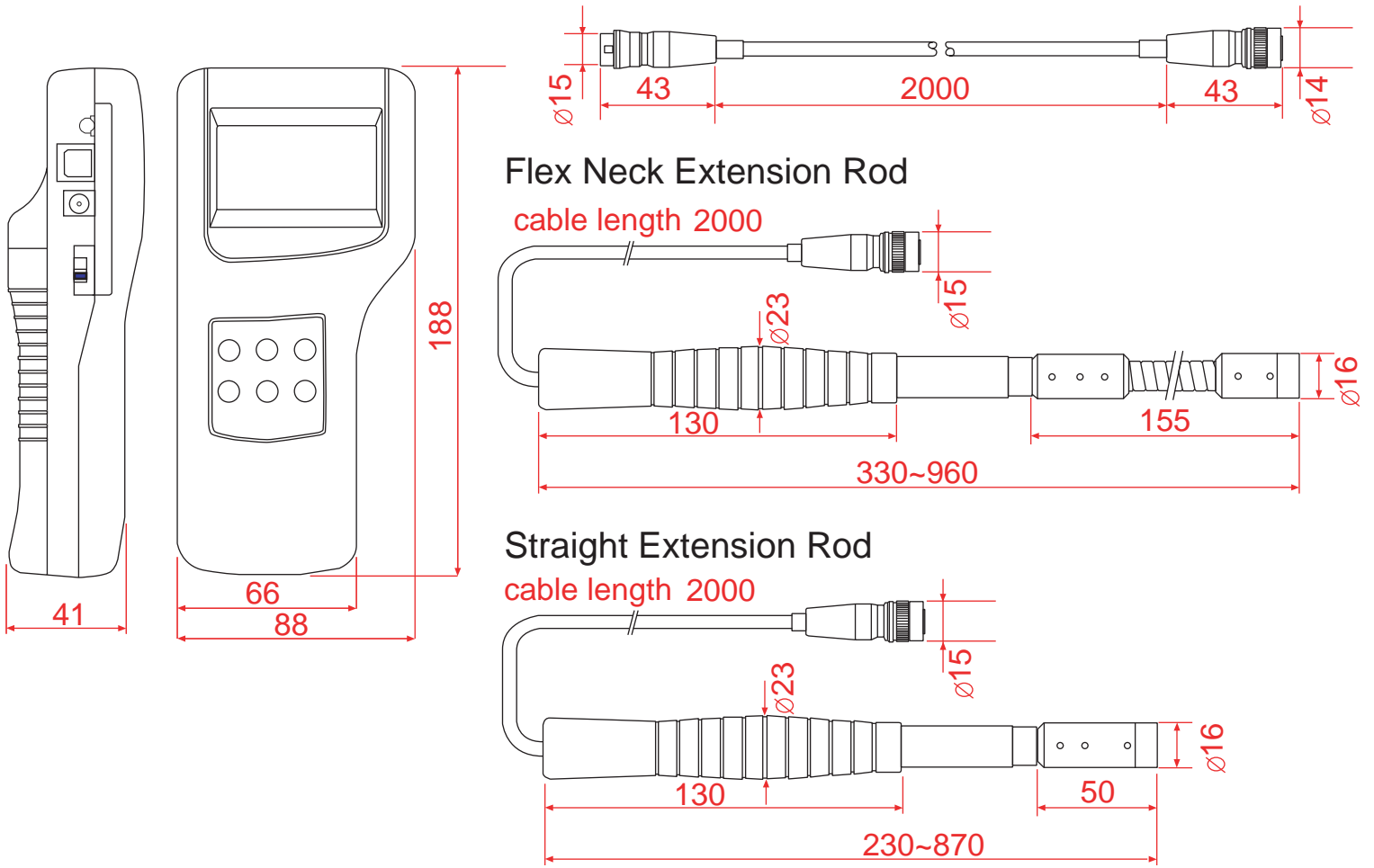
*Climomaster, extension rod and a uni-directional probe*



*Shown with optional differential pressure port and tubing*

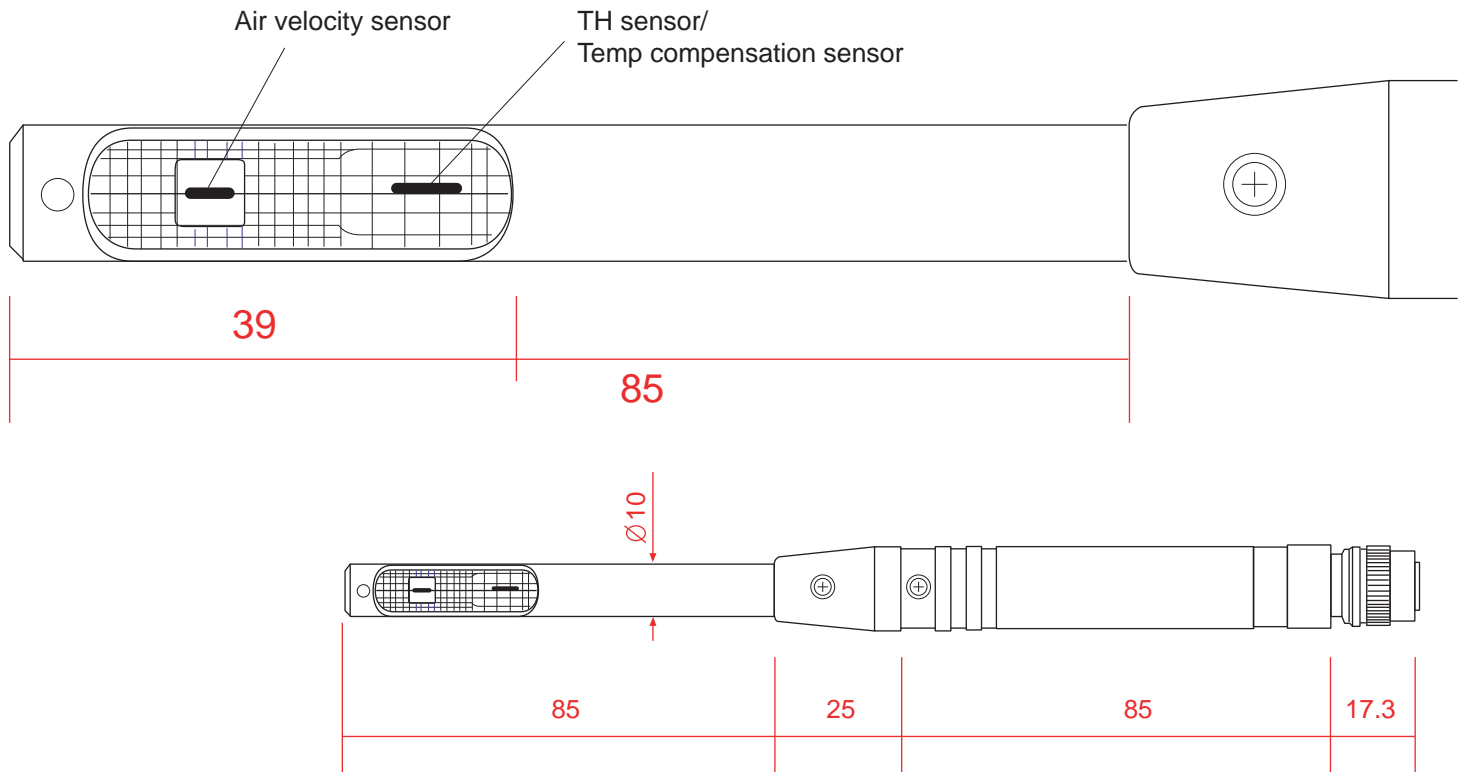
# Main Body, Cables and Extension Rods

Units given in mm

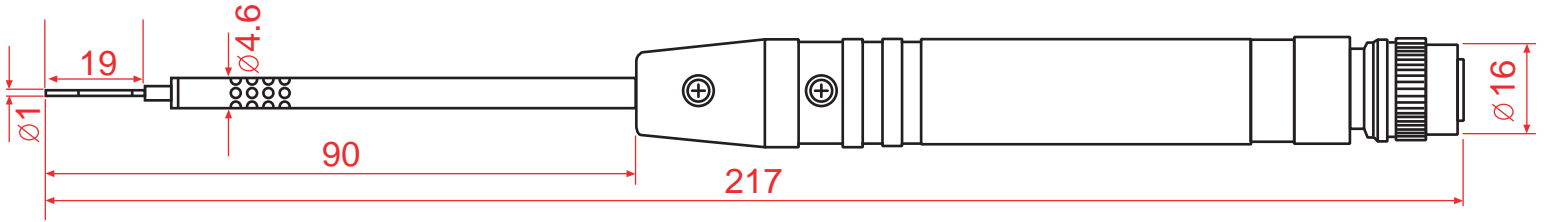


# Uni-Directional Probe Dimensions (model 6531-2G, 6541-2G & 6561-2G)

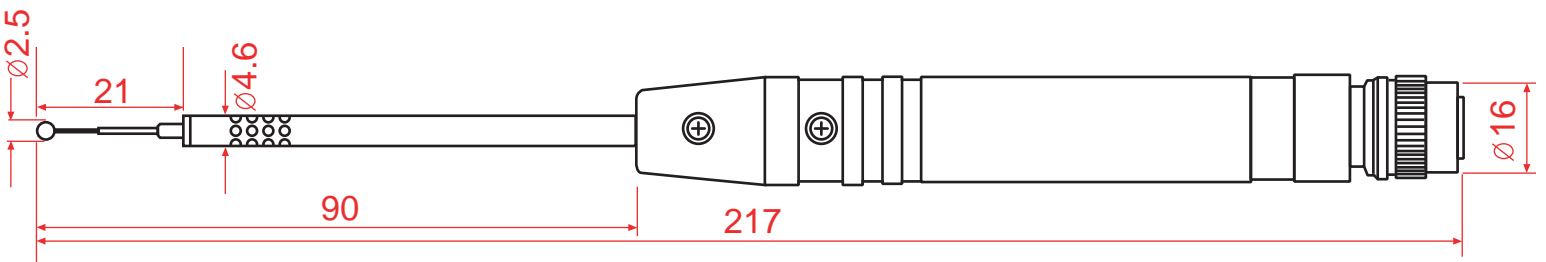
Units given in mm



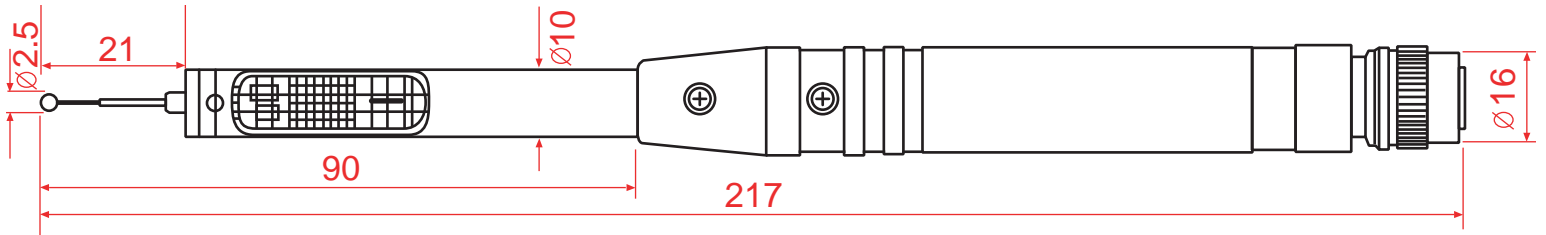
Model 6542-2G



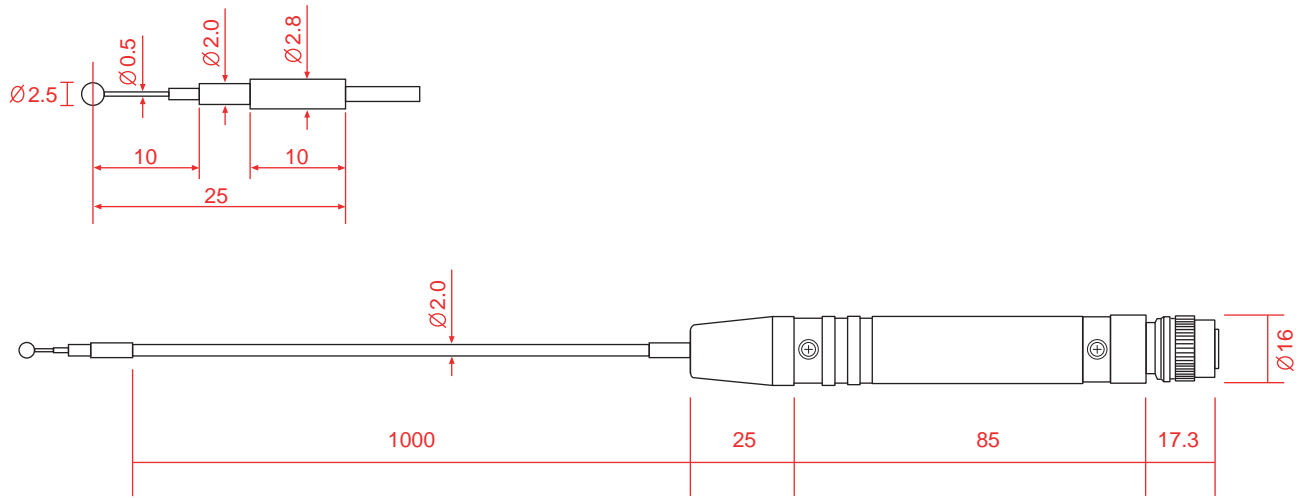
Model 6543-2G



Model 6533-2G



Model 6551-2G



Model 6552-2G

