

TEC600

# Tech Tub™



## Assembly Guide TEC600\_2015\_C

Check out our other products online at  
[www.copernicused.com](http://www.copernicused.com)

For assistance, please contact us:

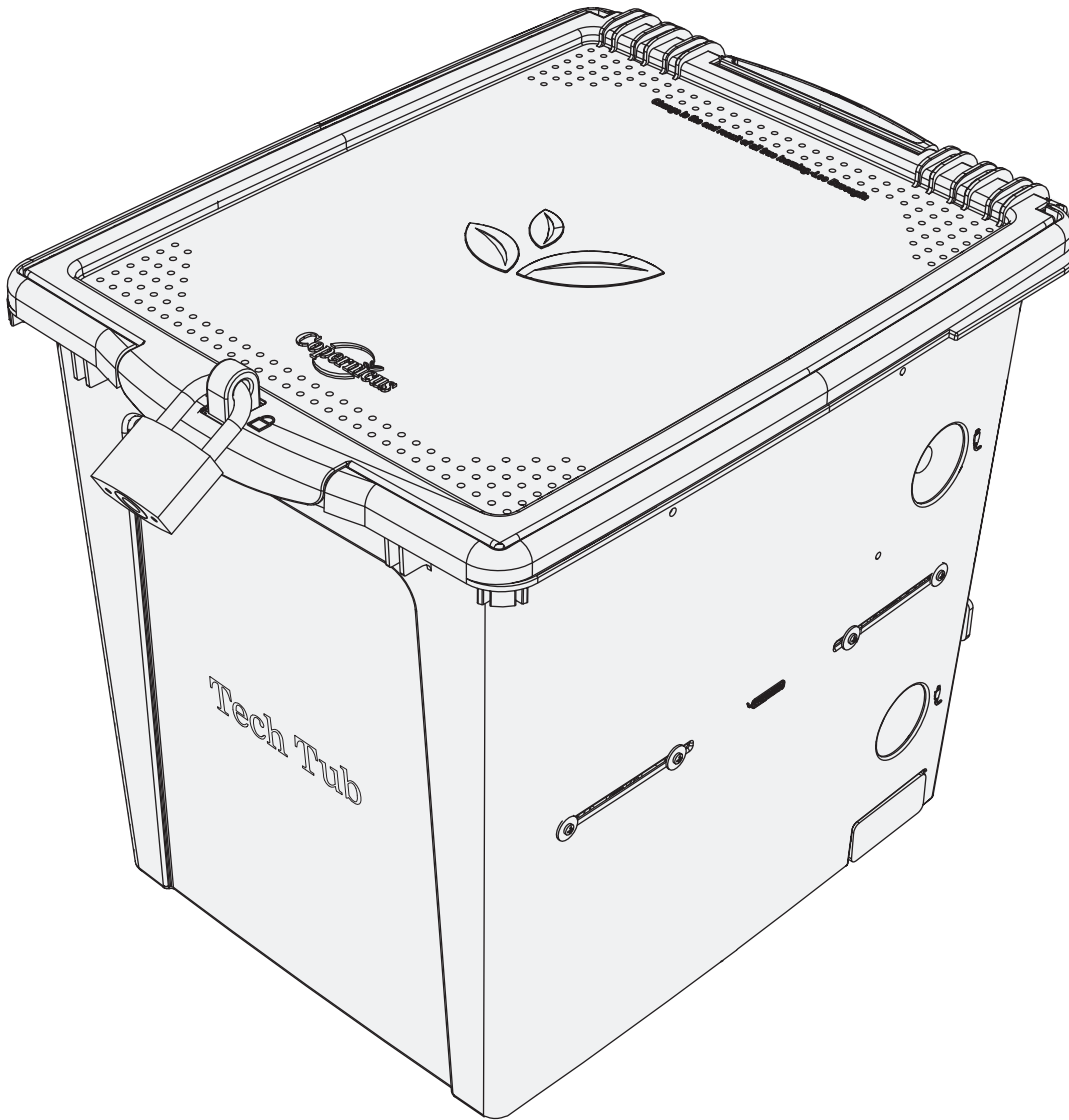
**1-800-267-8494**

Email [info@copernicused.com](mailto:info@copernicused.com)

Have your packing slip ready for reference

## WARNING !

- This product is meant to be assembled by an adult.
- In its unassembled state, small parts present a hazard.
- To be used under direct supervision of an adult.



**Don't throw  
these instructions  
away!  
Positioning template  
printed inside!**

**Need Support?  
Have a Question?**



Email our Customer Support



**Please Recycle**



## Assembly Guide TEC600\_2015\_C

Check out our other products online at  
[www.copernicused.com](http://www.copernicused.com)

For assistance, please contact us:

**1-800-267-8494**

Email [info@copernicused.com](mailto:info@copernicused.com)

**Have your packing slip ready for reference**

Dear Educator,

Thank you for purchasing one of our products. I hope that the Tech Tub™ is useful in your classroom.

If you have any questions, concerns, or ideas please contact us by telephone at 1-800-267-8494 or email at [info@copernicused.com](mailto:info@copernicused.com).

Enjoy using your new product and happy teaching.

*Jim Phillips*  
Chief Cook and Bottle Washer



We do not inherit the earth from our ancestors, we borrow it from our children.

Change is the end result of all true learning.

LEO BUSCAGLIA

NORTH AMERICAN  
PROVERB

What you leave behind is not what is engraved in stone monuments, but what is woven into the lives of others.

PERICLES

Education is the most powerful weapon which you can use to change the world.

NELSON MANDELA



### Validate Your Warranty

To validate your warranty, submit the ON-LINE form at [www.copernicused.com](http://www.copernicused.com). Enter a drawing to win a Copernicus Product for your classroom at the same time!





# Warning! Hazard Risks!

Please read the warnings below for important safety information regarding your product. Failure to read these warnings or to follow the instructions below could result in personal injury or damage to your product that could void your warranty.



Small Parts

In its unassembled state, this product contains parts that can be hazardous to small children. This product should be assembled by an adult.



Adult Supervision

This product is to be used under the supervision of an adult.



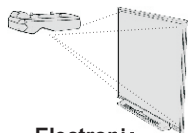
Indoor Use Only

This product is intended for indoor use only. To reduce the risk of fire or electric shock, do not expose this product to rain or moisture. The internal components are not sealed from the environment.



Power Strip Specifications

Read your power strip's electrical specifications. Only plug in devices that are approved for use with this power strip. Connect the supplied power strip directly to a wall outlet. **The socket-outlet shall be installed near the equipment and shall be easily accessible.** Do not connect to another power strip or use an extension cord. Unplug when not in use.



Electronic Equipment

Read the electrical specifications of any electronic equipment you are using with your Copernicus products. Failure to read these specifications and follow their instructions could result in damage to your equipment or personal injury.



Cable Trip Hazard

Ensure that any cables extending across the floor to your product are properly bundled and marked to avoid tripping or falling which may lead to personal injury.



Electrical Shock

Do not install or use the electrical components of this unit during a lightning storm.



Climb Hazard

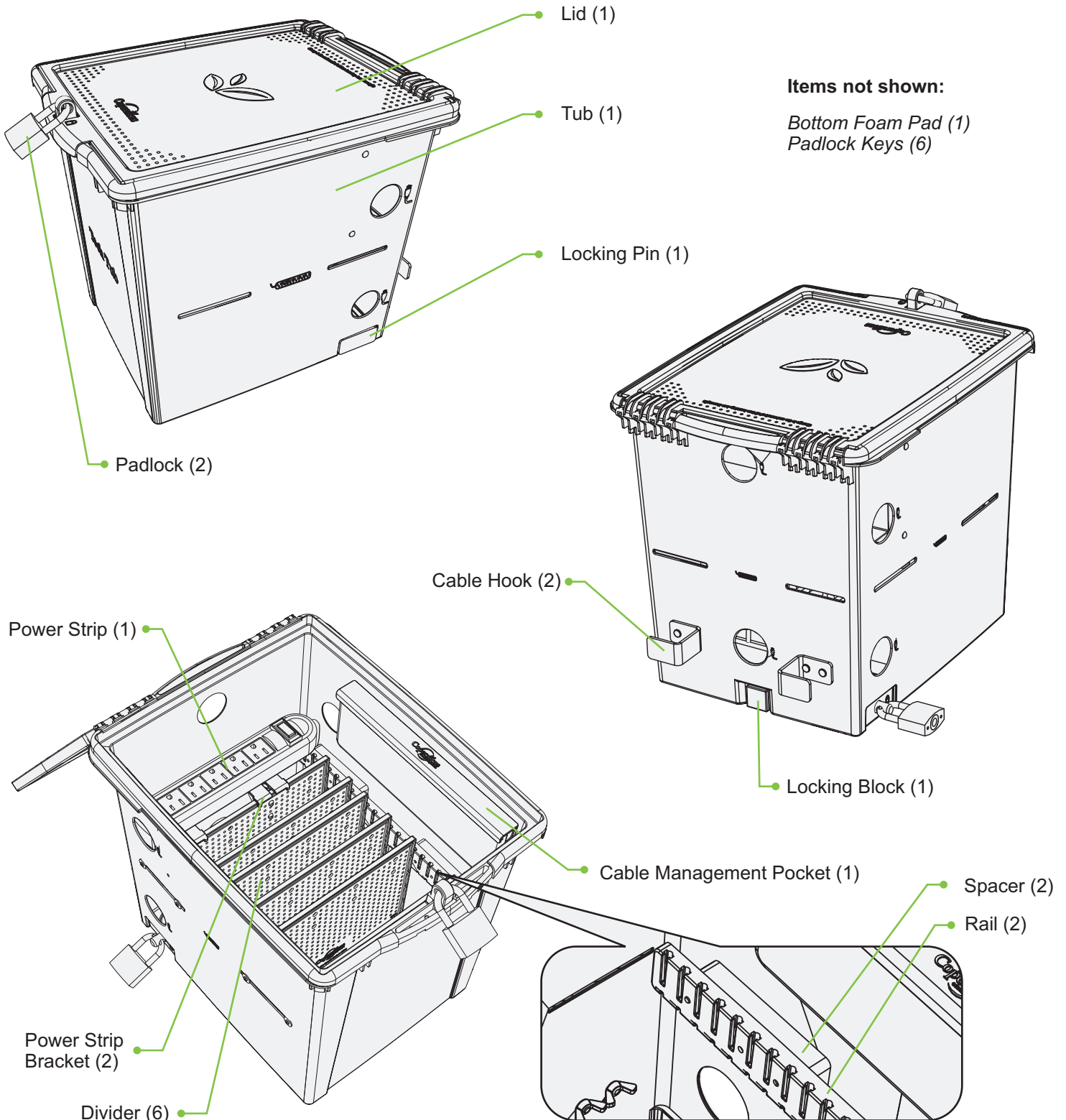
Do not climb on, hang from or suspend objects from any components of your product unless otherwise specified.





## WARNING

Please note that in its unassembled state, this product contains parts that can be hazardous to small children. This product should be assembled by an adult.

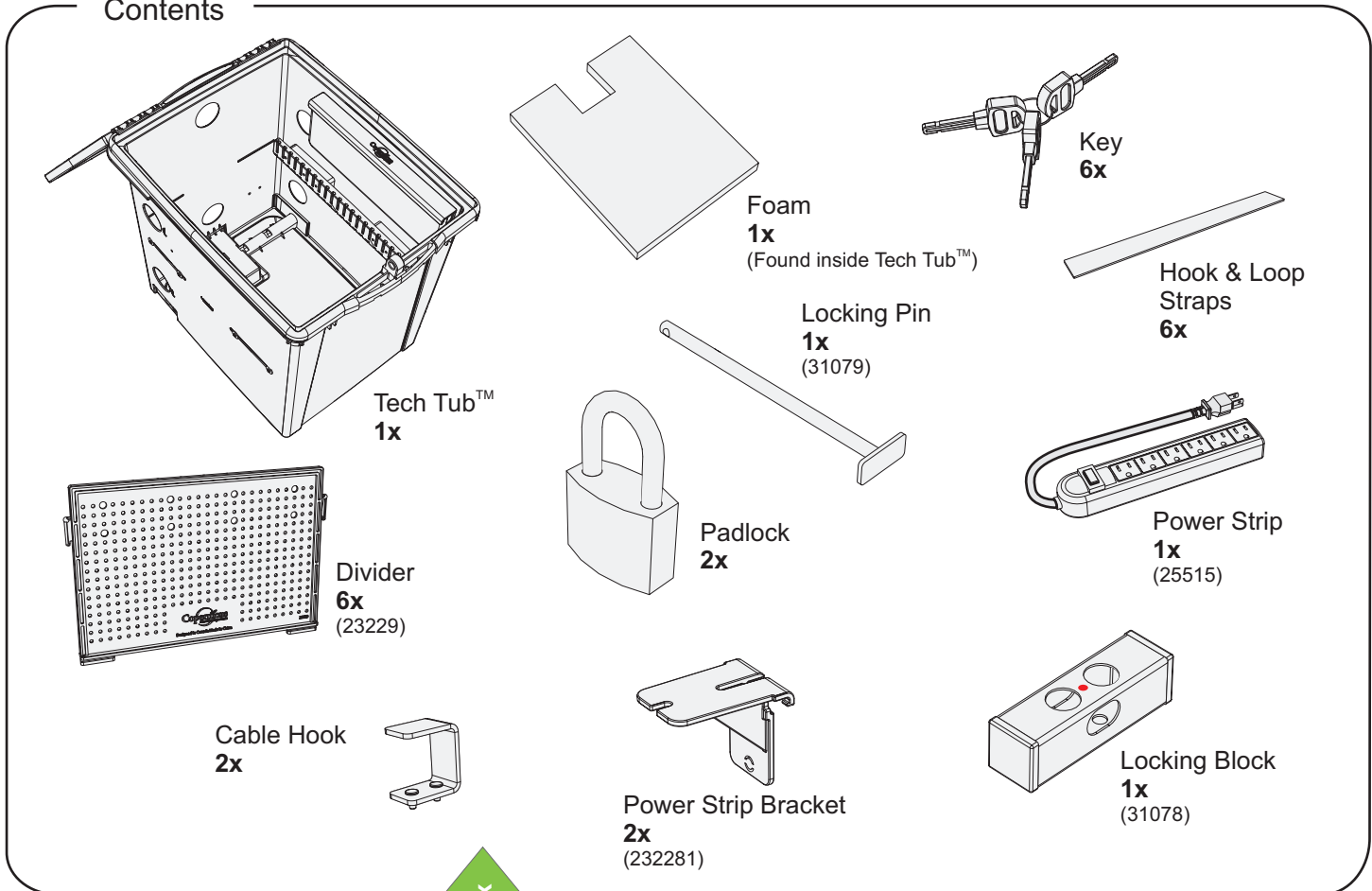


**Before beginning, you should have:**

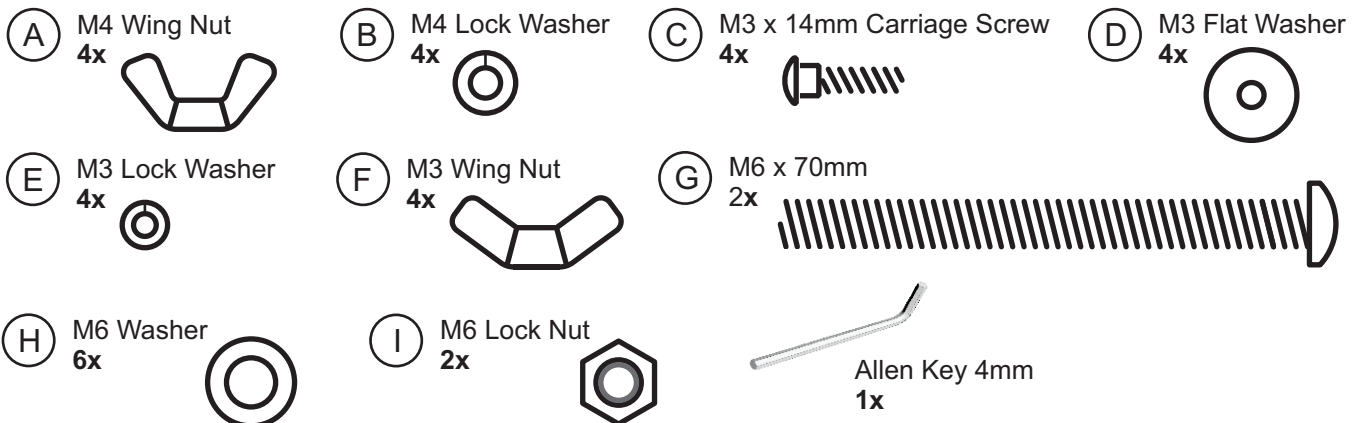
Additional tools required:



**Contents**



**Hardware**  
Actual Size



## Watch for These Helpful Symbols

Watch for this symbol throughout the Assembly Guide. Wherever you see it, pay close attention. The symbol denotes a step needing extra attention to ensure it is done correctly.

The star symbol highlights an advisory note.



## Before You Begin

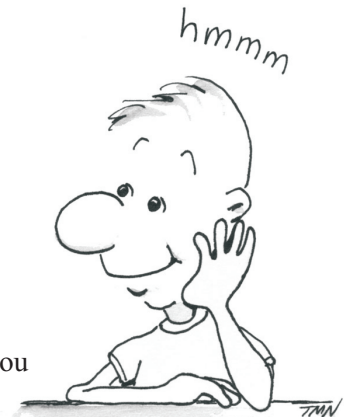
- Lay out and identify all of the included parts.
- The hardware has been packed according to step.
- Read the assembly guide over once to familiarize yourself with them.



**!** Please note that in its unassembled state, this product contains parts that can be hazardous to small children. This product should be assembled by an adult.

## As You Assemble the Unit

- Follow the steps in sequence.
- Before beginning each step, find the part(s) that you need for that step.
- Pay attention to the labels on the parts; they are there to help direct you at certain stages.
- The title of each step states what you will be doing. Review the text and the pictures as you build the unit.



## Customer Service - FAQ's



### For missing parts and other issues regarding your Tech Tub:

Please call Copernicus Customer Service, where we will be happy to help.

1-800-267-8494. Monday - Friday 8:30am - 4:30 pm EST.

OR

Email our Tech Support Service at [info@copernicused.com](mailto:info@copernicused.com)

**Watch this video on how to  
set up and manage your cables**





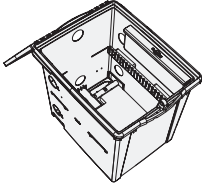

[www.copernicused.com/help/default.aspx](http://www.copernicused.com/help/default.aspx)

**Need Tech Support?  
Have a Question?**



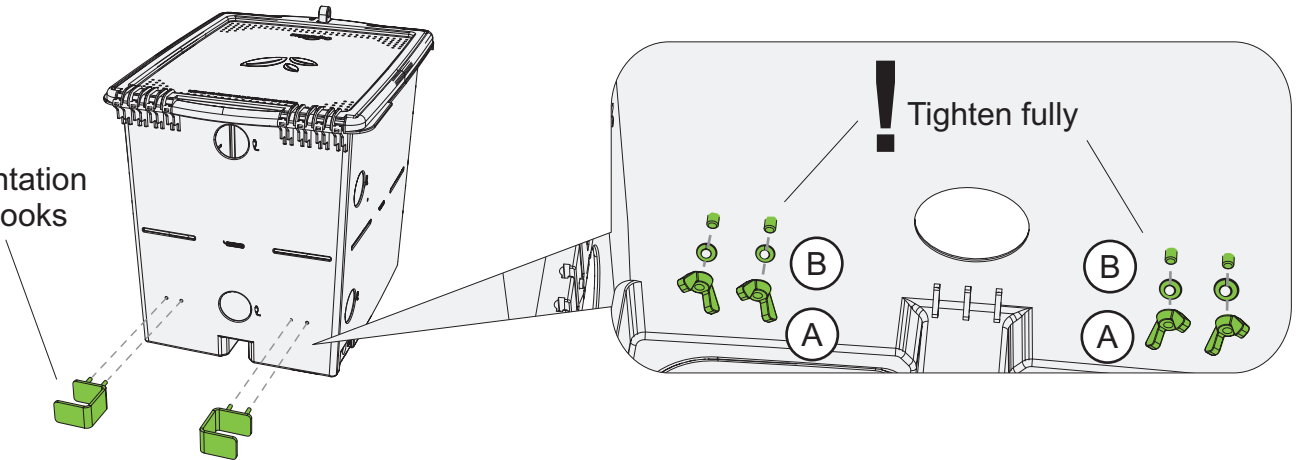
Email our Tech Support Service



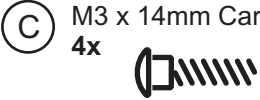


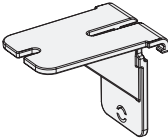
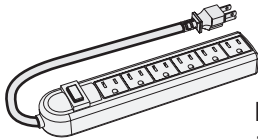

1	<p>Actual Size:</p> <div style="display: flex; justify-content: space-around; align-items: center;"> <div style="text-align: center;">  <p><b>(A)</b> M4 Wing Nut 4x</p> </div> <div style="text-align: center;">  <p><b>(B)</b> M4 Lock Washer 4x</p> </div> </div>
	<p>You will need: (Not to Scale)</p> <div style="display: flex; justify-content: space-around; align-items: center;"> <div style="text-align: center;">  <p>Tech Tub™ 1x</p> </div> <div style="text-align: center;">  <p>Cable Hook 2x</p> </div> </div>

### Install Cable Hooks

Note orientation of cable hooks

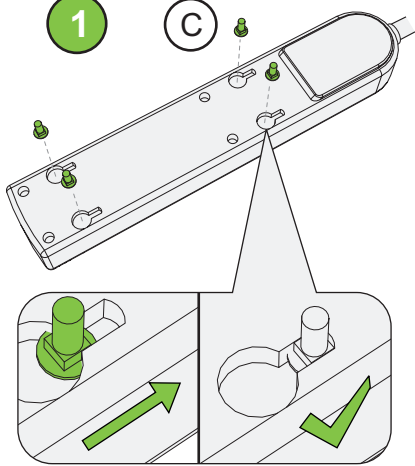


**! Tighten fully**

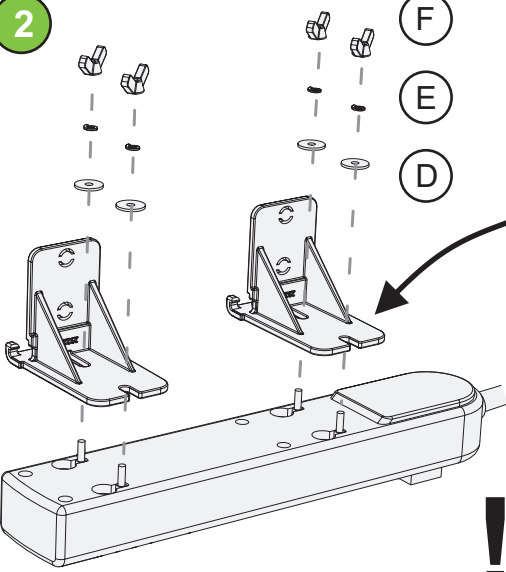
2	<p>Actual Size:</p> <div style="display: flex; justify-content: space-around; align-items: center;"> <div style="text-align: center;">  <p><b>(C)</b> M3 x 14mm Carriage Screw 4x</p> </div> <div style="text-align: center;">  <p><b>(D)</b> M3 Flat Washer 4x</p> </div> <div style="text-align: center;">  <p><b>(E)</b> M3 Lock Washer 4x</p> </div> </div>
	<p>You will need: (Not to Scale)</p> <div style="display: flex; justify-content: space-around; align-items: center;"> <div style="text-align: center;">  <p>Power Strip Bracket 2x</p> </div> <div style="text-align: center;">  <p>Power Strip 1x</p> </div> <div style="text-align: center;">  <p><b>(F)</b> M3 Wing Nut 4x</p> </div> </div>

### Install Carriage Bolts on Power Strip and Mount to Power Strip Brackets

**1**




**2**



**! Hold bracket in place while tightening hardware. Tighten fully.**

Power strip cord end

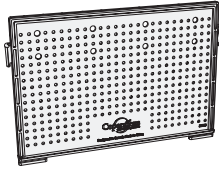
**! Pay close attention to orientation of power strip.**

 Keep your power strip upside down as shown. This will make the assembly easier!



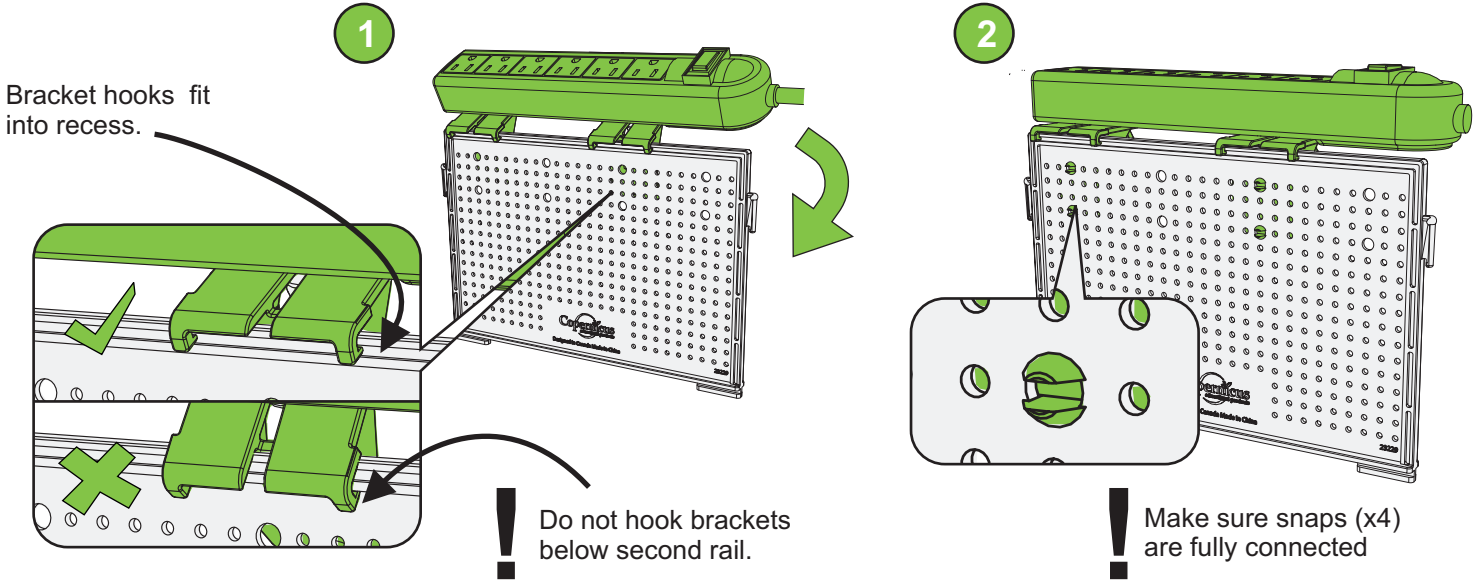
3

You will need: (Not to Scale)



Divider  
1x

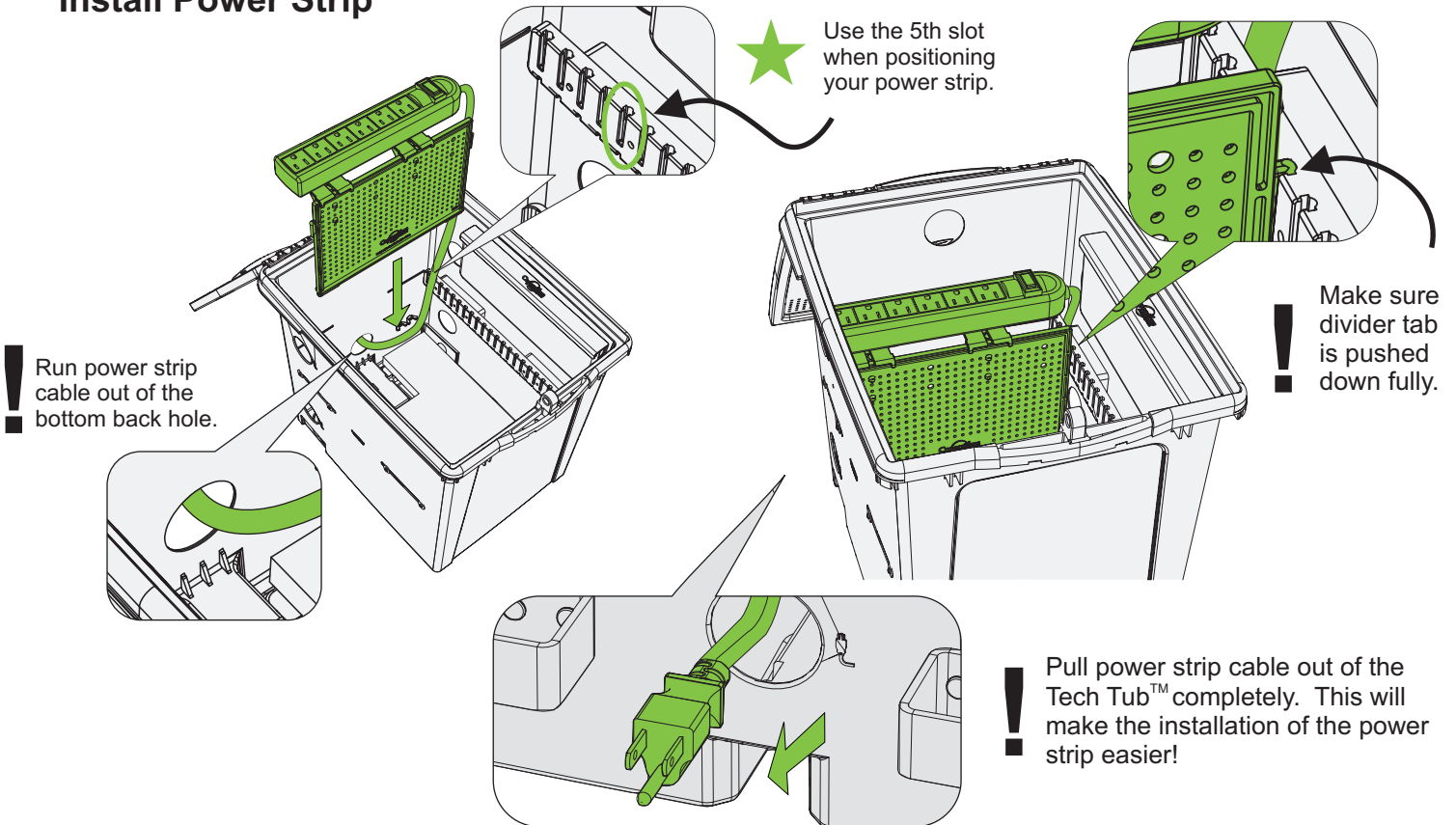
### Assemble Power Strip on Divider



4

Actual Size:

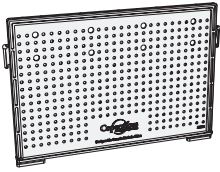
### Install Power Strip





5

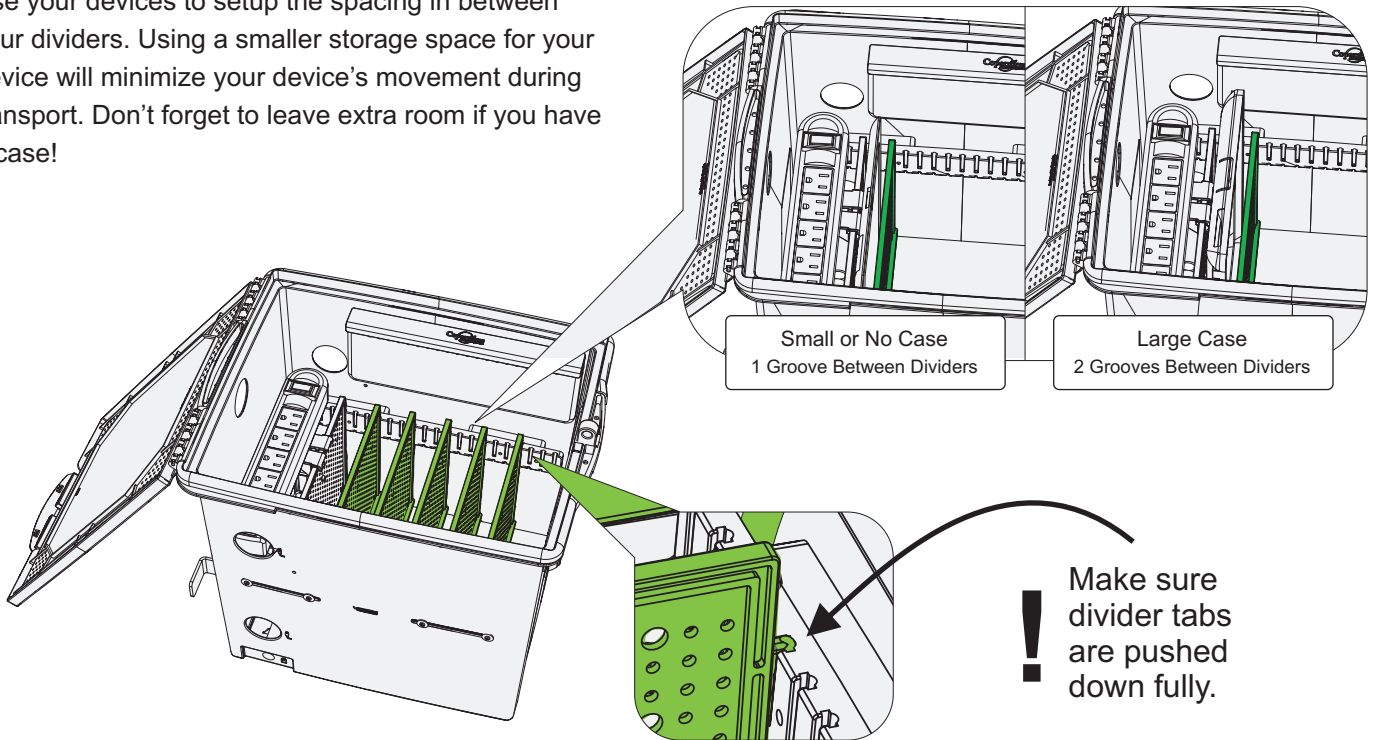
You will need: (Not to Scale)



Divider  
5x

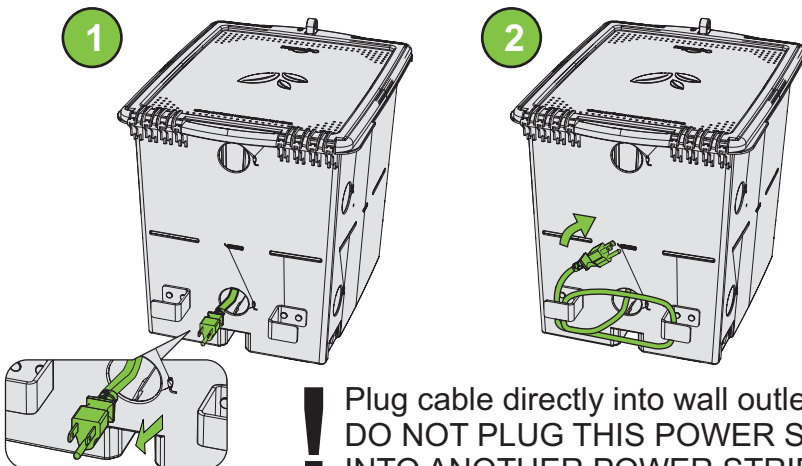
### Install Dividers

Use your devices to setup the spacing in between your dividers. Using a smaller storage space for your device will minimize your device's movement during transport. Don't forget to leave extra room if you have a case!



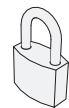
6

### Wrap Power Strip Cable



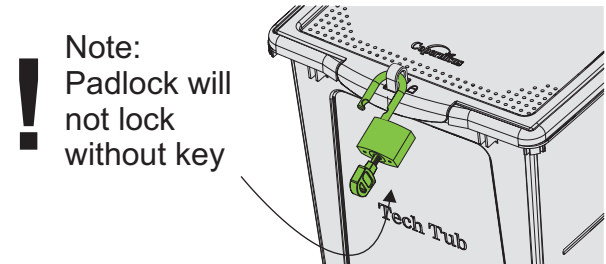
7

You will need: (Not to Scale)



Padlock  
1x

### Lock Lid with Padlock

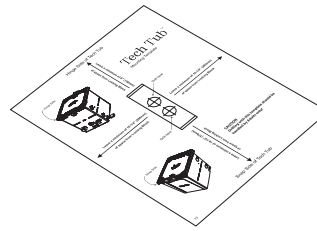


# OPTIONAL: Follow Steps 8 to 10 to install the Tech Tub™ Locking Block and Locking Pin System

8

You will need: (Not to Scale)

★ This system allows you to lock your Tech Tub™ to a table or countertop. This is a really good idea if you leave your devices out in the open or your room doesn't lock. You can then lock the Tech Tub in place and lock the Tech Tub itself.



Positioning Template (found at back of this guide)  
1x

## Use Template and Drill Holes into Surface

Table or Countertop

Use positioning template found at back of these Assembly Instructions

Maximum thickness of surface is 2-1/2" (63mm)

Use tape to secure the positioning template

Use 1/4" or 6mm drill bit

CAUTION: Always use appropriate hand safety.

9

Actual Size:

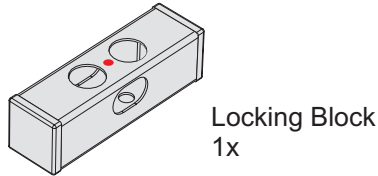


G M6 x 70mm  
2x



H M6 Washer  
6x

You will need: (Not to Scale)



I M6 Lock Nut  
2x

## Mount Locking Block

Label facing upwards

Underside

Drilled holes from Step 6

Washer goes INSIDE tube

Washer goes UNDER tube

Table or Countertop

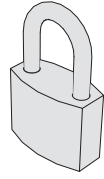
Section View



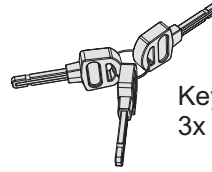
# OPTIONAL: Follow Steps 8 to 10 to install the Tech Tub™ Locking Block and Locking Pin System

10

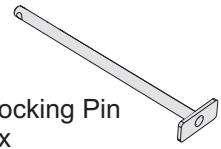
You will need: (Not to Scale)



Padlock  
1x



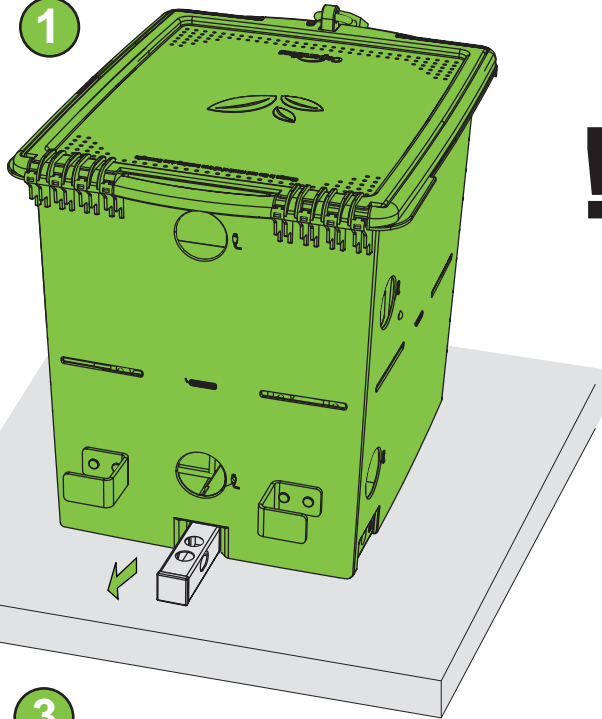
Key  
3x



Locking Pin  
1x

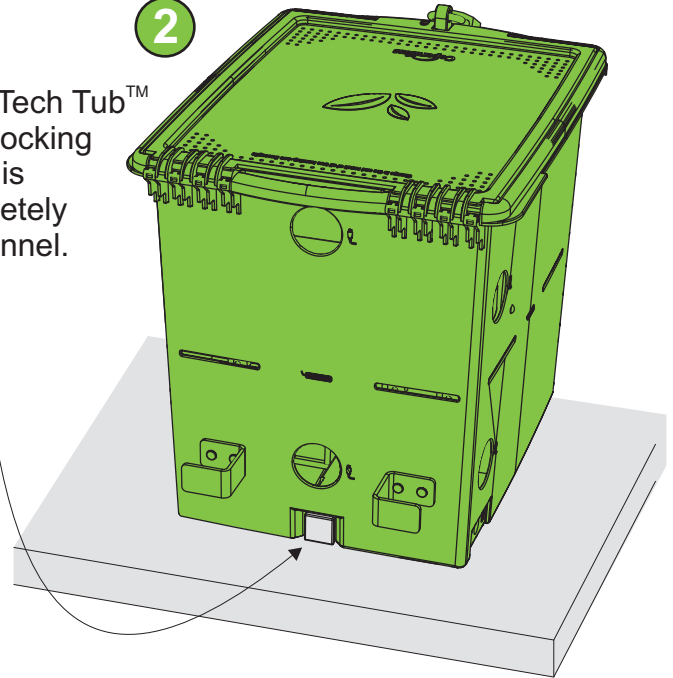
## Lock the Tech Tub™ with Locking Pin

1



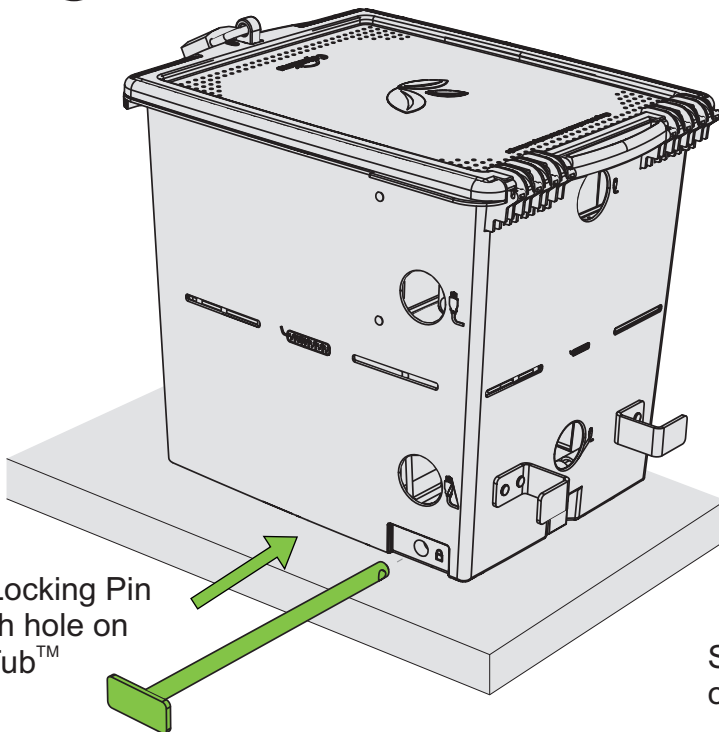
2

Push Tech Tub™ until Locking Block is completely in channel.



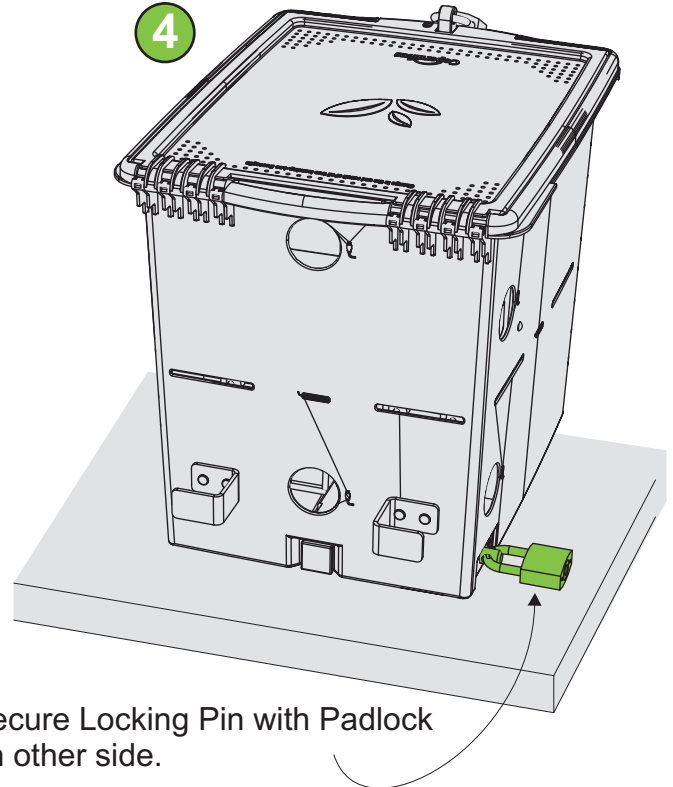
3

Slide Locking Pin through hole on Tech Tub™



4

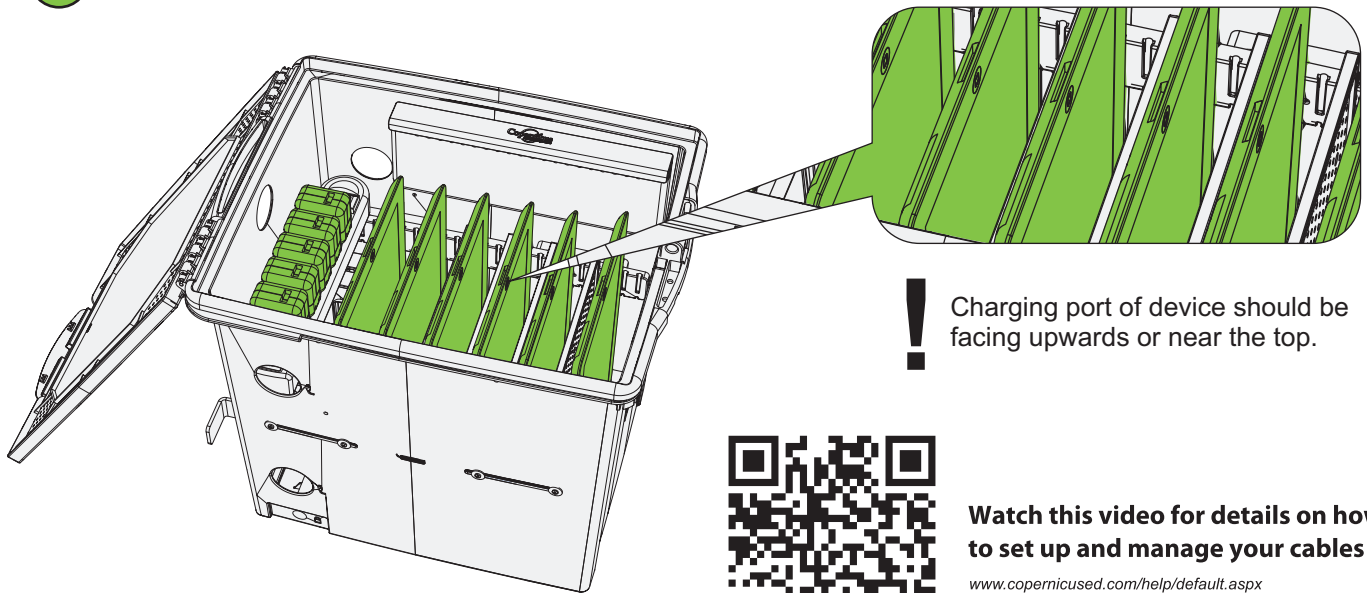
Secure Locking Pin with Padlock on other side.



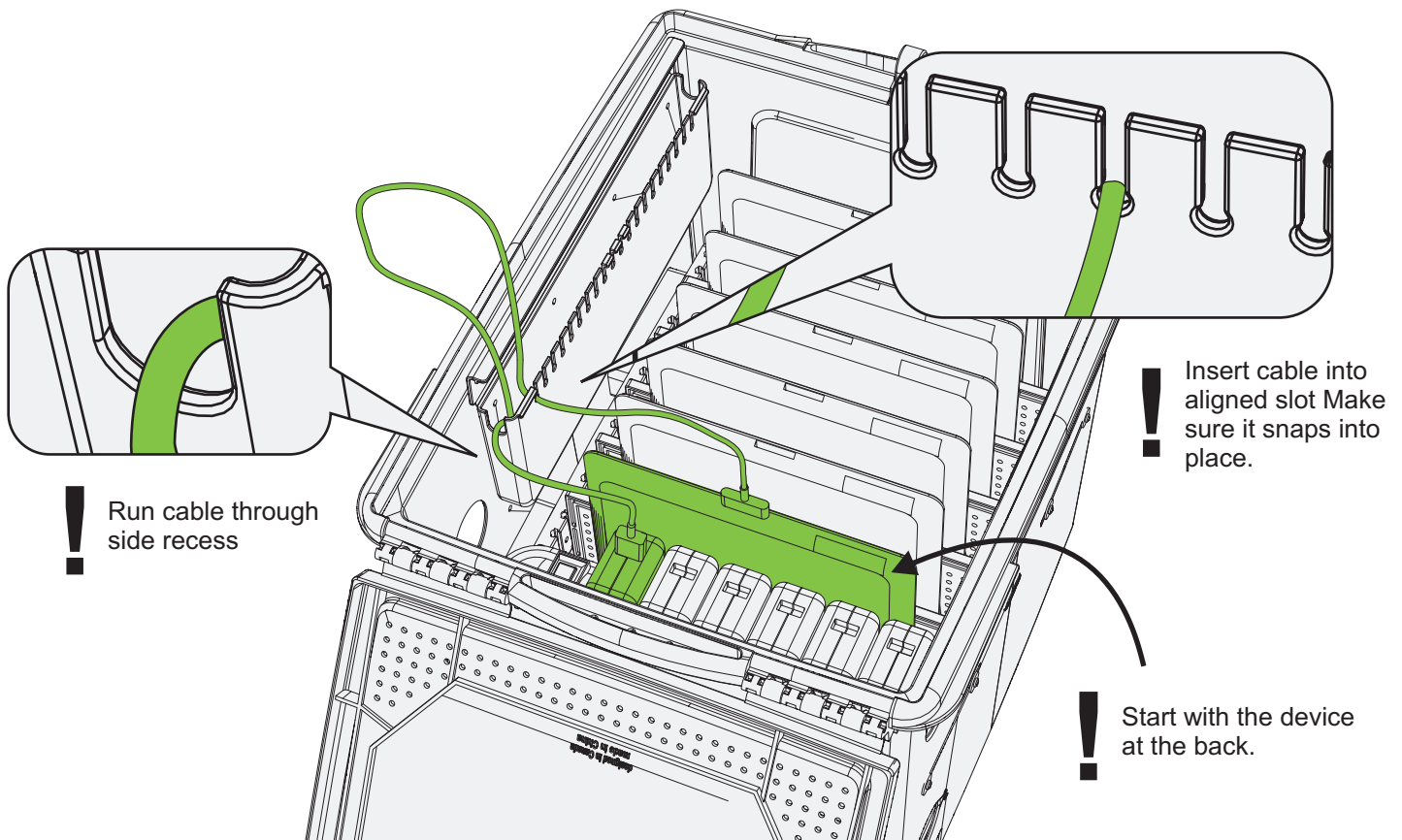


# Cable Management

- 1 Arrange your Tech Tub™ with all of your devices and adapters.



- 2 Plug cable into power adapter and first device.

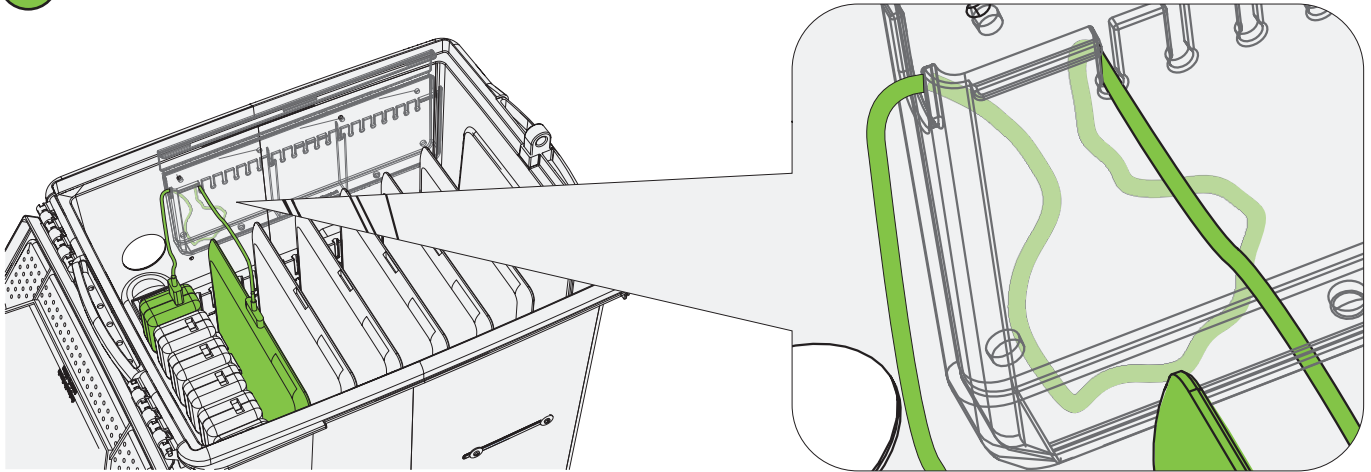




# Cable Management

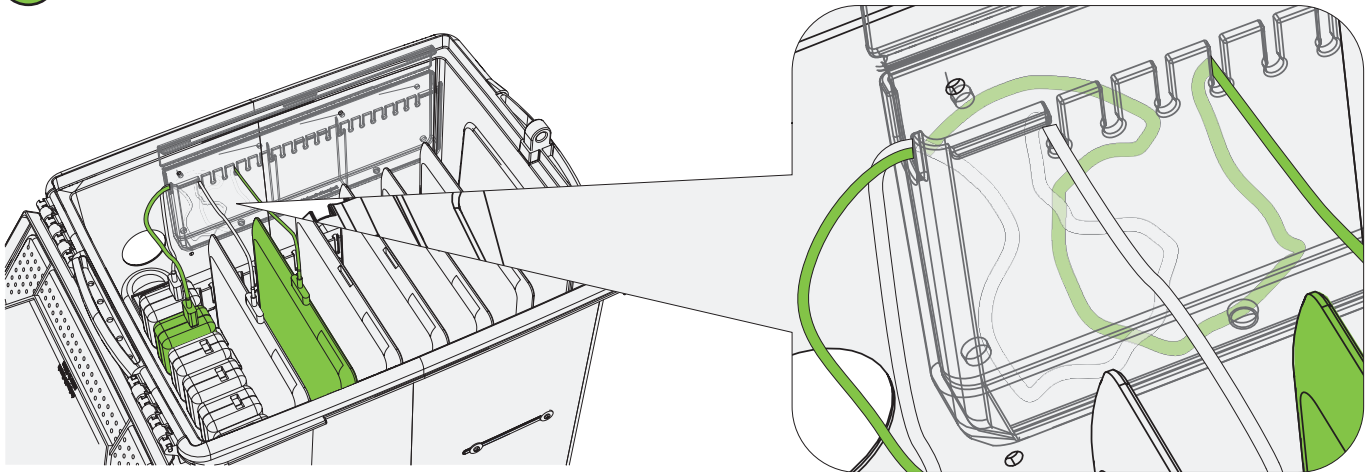
3

Store excess cable into Cable Management Pocket.



4

Repeat Steps 1-3 for the second device.

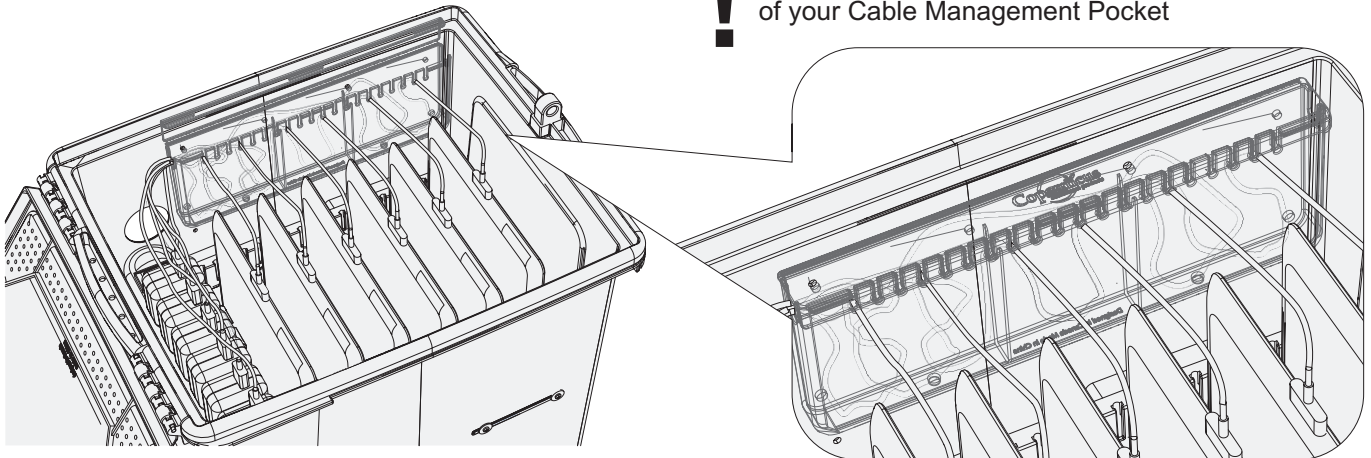


5

Repeat Steps 1-3 for the remaining devices.



Once you have your cables set up, close the lid of your Cable Management Pocket





# Tips for Use

## Device Management

Keeping track of your devices can be made even easier by creating a sign-out program.

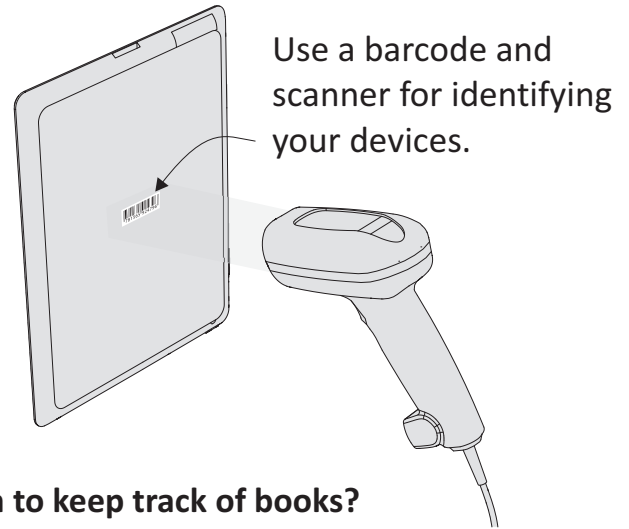
There are many automated software solutions available that make setting up and running a device check-out program very easy.

Here is a list of some companies and their products:

*ResourceMate*® - [www.resourcebate.com](http://www.resourcebate.com)

*Neuton Data Systems* - [www.neuton.net](http://www.neuton.net)

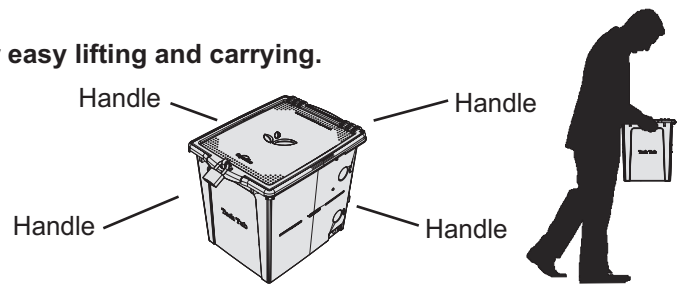
*IntelliScanner* - [www.intelliscanner.com](http://www.intelliscanner.com)



**★ Does your school already use an automated system to keep track of books? You could use this system to also keep track of your devices!**

## Carrying your Tech Tub™

Use the Handles along the sides of the Tech Tub™ for easy lifting and carrying.



# Tech Tub™ Carts

For additional storage and mobility, check out our line of Tech Tub™ Carts!



**Tech Tub™ Trolley**



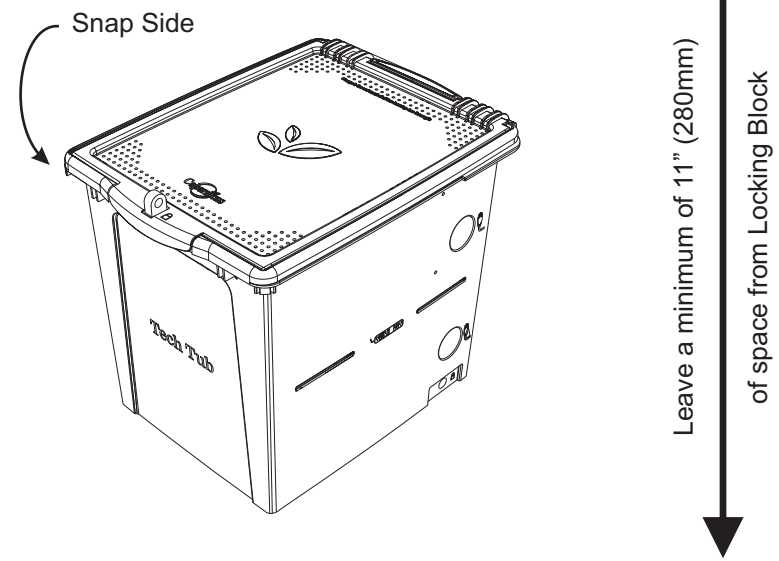
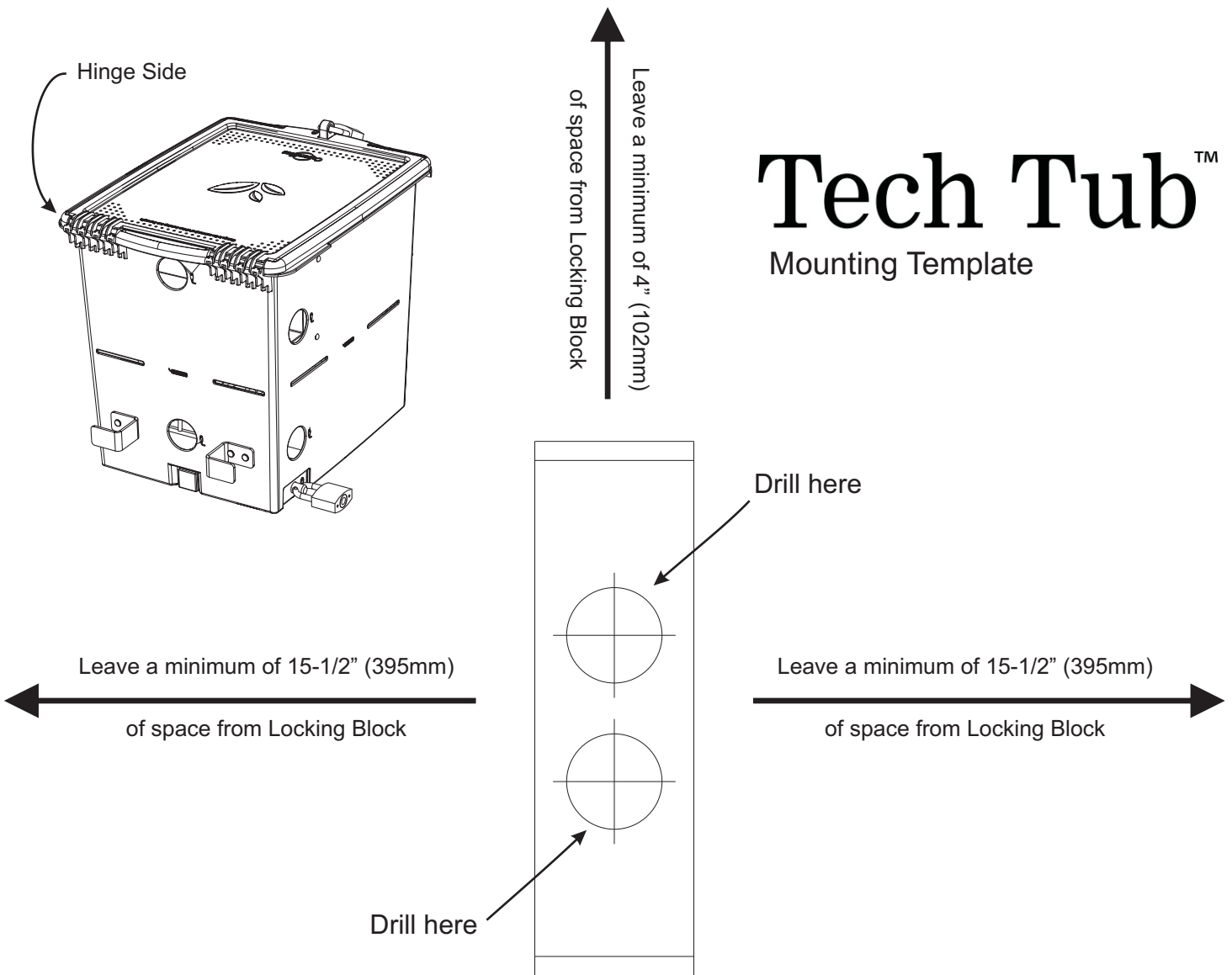
**Stores 2 Tech Tub™s**



**Stores 4 Tech Tub™s**



# Hinge Side of Tech Tub



# Snap Side of Tech Tub

**CAUTION**  
Drilling with this template should be handled by Adults only!

