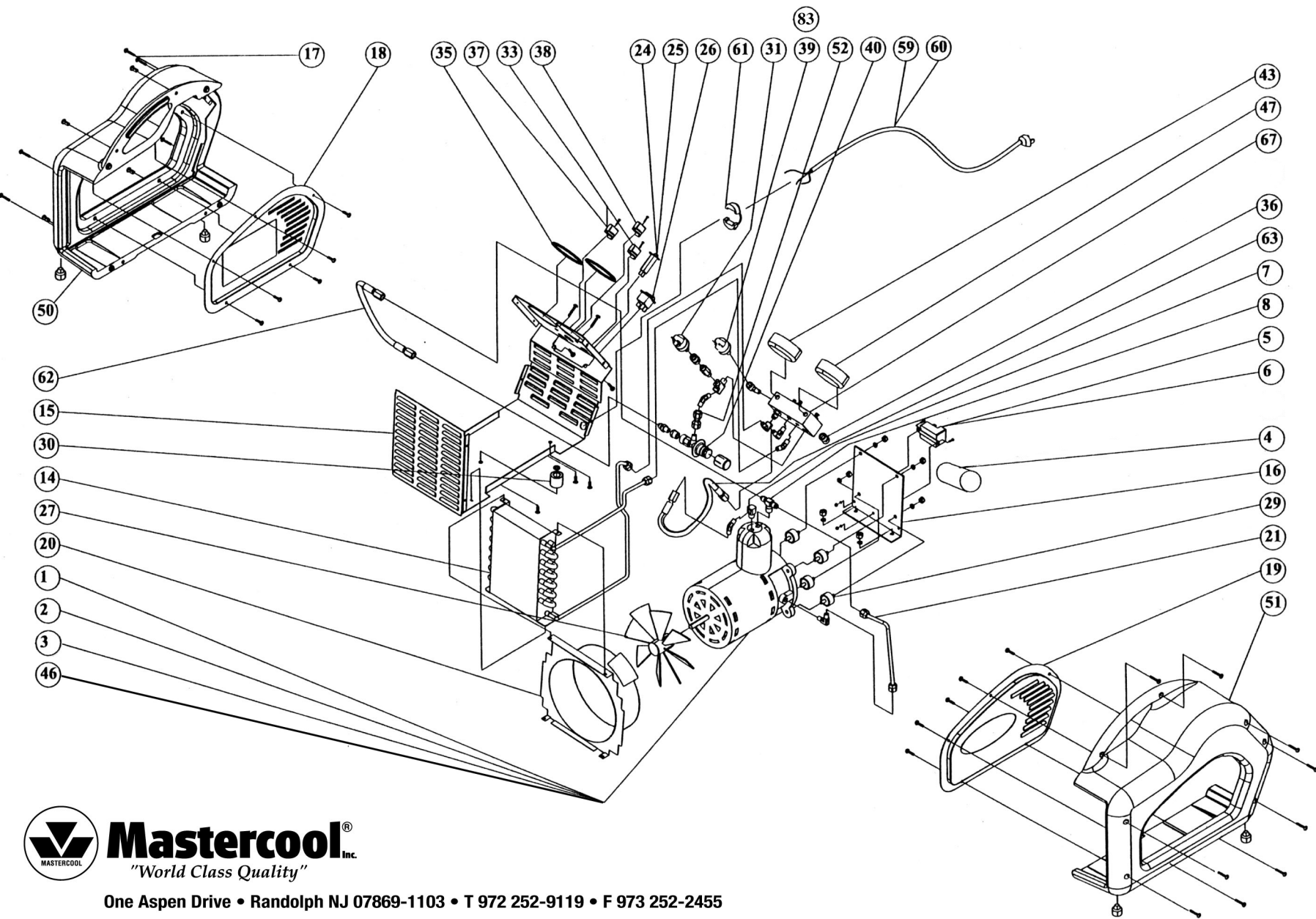


Bill of Material 69000 Recovery Machine

1	69000-001	100V oilless compressor with capacitor, relay, jumper
2	69000-001-220	220V 50/60hz oilless compressor with capacitor and relay
3	69000-001A	115V/60hz oilless compressor with extended shaft
4	69000-001B	Capacitor 100V / 233-280 MFD
5	69000-001C-110	Relay with jumper cable 110V
6	69000-001C-220	Relay with jumper cable 220V
7	69000-001D	90 degree brass flare fitting - 1/4" MPT x 1/8" FPT
8	69000-001E	"T" 2 way male branch 1/4" NPT
15	69000-002MF	Metal main frame for 69000-TAS
16	69000-002MTB	Mounting bracket with screw
17	69000-002SCRW	Enclosure screws for assembly
18	69000-002SDL	Left side metal frame
19	69000-002SDR	Right side metal frame
20	69000-002SHRD	Shroud assembly
21	69000-002TUB	Compressor copper tubing - 90 degrees 6"
24	69000-004	Circuit Breaker - 15 amps/100V
25	69000-004-220	Circuit Breaker - 6 amps/220V
26	69000-005	ON/OFF switch 2 pole/single throw
27	69000-006A	Fan 7" diameter
29	69000-007	Vibration mount rubber
30	69000-008	Compressor motor rubber foot mount
31	69000-009	Vacuum shut-off switch
33	69000-010-BKN	Blue knob with screw
35	69000-010-GP	Gauge protector
36	69000-010-INFT	Inlet filter fitting
37	69000-010-RKN	Red knob with screw
38	69000-010-YKN	Yellow knob with screw
39	69000-013-TAS	Manual re-start button
40	6533-01A	Float switch cable
43	69000-H	High side gauge for refrigerant recovery unit 100V
46	69000-001-J	95-100V 50/60hz oilless compressor with capacitor
47	69000-L	Low side gauge for refrigerant recovery unit / 100V
50	69000-PBLB	Plastic enclosure left side blue
51	69000-PBRB	Plastic enclosure right side blue
52	69000-017	Safety Valve
59	6534-01	6 foot power cord - no outer jacket
60	6534-02-220	8 foot power cord/220V/schuko plug - 3" outerjacket with connection
61	90060-48	Heyco strain relief
67	FTBLOCK-R	Revised with FT check valve
83	69000-013	HP Shut-Off Switch



Mastercool[®]
"World Class Quality"

One Aspen Drive • Randolph NJ 07869-1103 • T 972 252-9119 • F 973 252-2455