



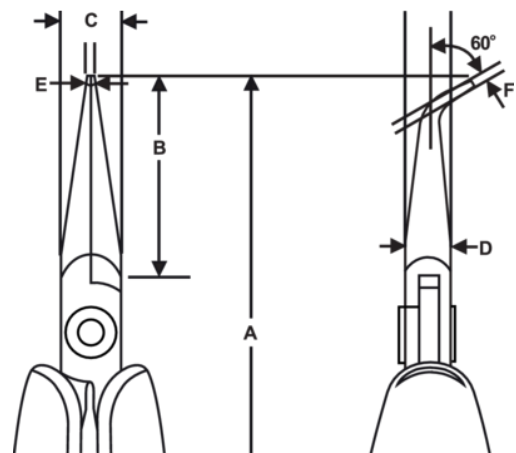
7892

60° Bent Tip Snipe Nose Pliers with Synthetic Handle 129 mm







PRODUCT DETAILS

- Material: High performance alloy steel
- Polished and induction hardened to 58–60 HRC
- Precision screw joint that minimizes friction and maximizes jaw alignment
- ESD safe handles in synthetic material with leaf springs
- Natural finish



PRODUCT ATTRIBUTES

Product: **7892**

	Bent Nose		M	A	129 mm
A	5.08 in	B	29 mm	B	1,14 in
C	9 mm	C	0.35 in	D	6 mm
D	0,24 inch	E	1,2 mm	E	0,05 in
F	0,8 mm	F	0,03 in		Smooth
	73 g	Ω	Dissipative		