

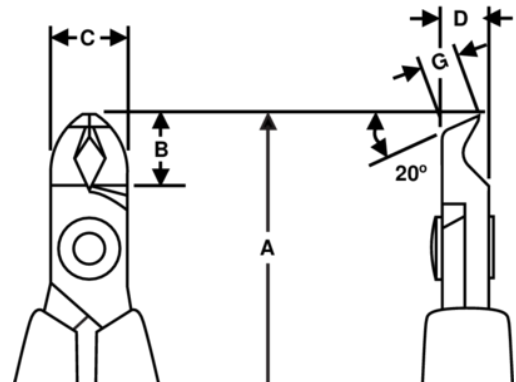


8211
Short Precision 20° Head Oblique
Cutters 0.2 mm-1.2 mm



PRODUCT DETAILS

- Material: High performance alloy steel
- Exacting induction hardened edges 63–65 HRC
- ESD safe handles in synthetic material with leaf springs
- Precision screw joint minimizes friction and maximizes alignment of cutting edges
- Cutting capacity is listed for solid copper wire
- Burnished finish



PRODUCT ATTRIBUTES

Product: **8211**

	Angle 20°		S		Flush
	0.2-1.2 mm		0.01-0.05 in	A	110 mm
A	4.33 in	B	9,5 mm	B	0,37 in
C	10 mm	C	0.39 in	D	6 mm
D	0,24 inch	G	4,1 mm	G	0,16 in
	43 g	Ω	Dissipative		