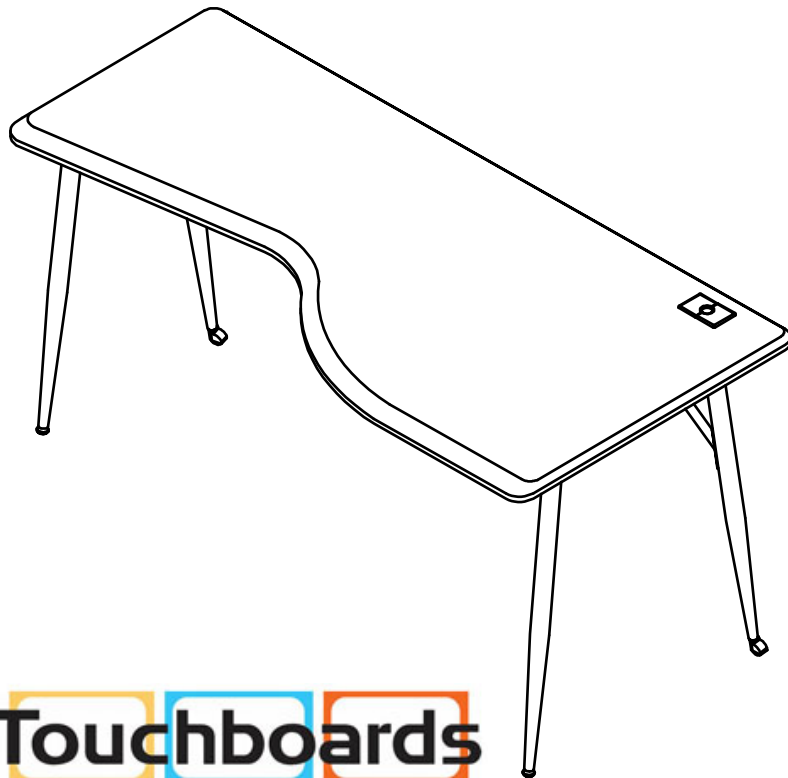




iFlex Full Table Right

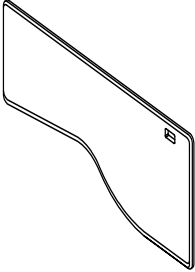


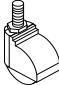




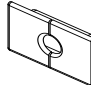


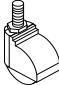




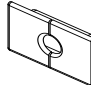


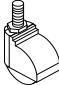




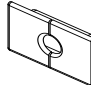

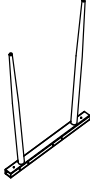
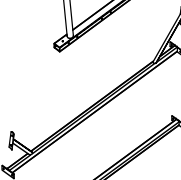

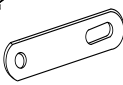
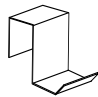


Touchboards

205 Westwood Ave, Long Branch, NJ 07740
Phone: 866-94 BOARDS (26273) / (732)-222-1511
Fax: (732)-222-7088 | E-mail: sales@touchboards.com

Assembly Instructions

iFlex Full Table

Part	Drawing	Description	Qty	Part	Drawing	Description	Qty																																
P1		Table Top	1 EA	<div style="border: 1px solid black; border-radius: 15px; padding: 10px;"> <p style="text-align: center;">Hardware List</p> <table style="width: 100%; border-collapse: collapse;"> <tr> <td style="width: 5%;">A</td> <td style="width: 15%;"></td> <td style="width: 60%;">Screw 1/4-20 X 1/2"</td> <td style="width: 20%;">16 EA</td> </tr> <tr> <td>B</td> <td></td> <td>Screw 1/4-20 X 1 1/2"</td> <td>4 EA</td> </tr> <tr> <td>C</td> <td></td> <td>Caster</td> <td>2 EA</td> </tr> <tr> <td>D</td> <td></td> <td>Glide</td> <td>2 EA</td> </tr> <tr> <td>E</td> <td></td> <td>Allen Wrench</td> <td>1 EA</td> </tr> <tr> <td>F</td> <td></td> <td>Caster Wrench</td> <td>1 EA</td> </tr> <tr> <td>H</td> <td></td> <td>Lock Washer</td> <td>2 EA</td> </tr> <tr> <td>G</td> <td></td> <td>Grommet</td> <td>1 EA</td> </tr> </table> </div>				A		Screw 1/4-20 X 1/2"	16 EA	B		Screw 1/4-20 X 1 1/2"	4 EA	C		Caster	2 EA	D		Glide	2 EA	E		Allen Wrench	1 EA	F		Caster Wrench	1 EA	H		Lock Washer	2 EA	G		Grommet	1 EA
A		Screw 1/4-20 X 1/2"	16 EA																																				
B		Screw 1/4-20 X 1 1/2"	4 EA																																				
C		Caster	2 EA																																				
D		Glide	2 EA																																				
E		Allen Wrench	1 EA																																				
F		Caster Wrench	1 EA																																				
H		Lock Washer	2 EA																																				
G		Grommet	1 EA																																				
P2		Left Leg	1 EA																																				
P3		Right Leg	1 EA																																				
P4		Rear Brace	1 EA																																				
P5		Front Brace	1 EA																																				
P6		Ganging Bracket	2 EA																																				
P7		Cable Clips	3 EA																																				

We recommend that you assemble this unit on a table.

Missing Parts or UPS Damaged Parts

For Your Convenience you can
EMAIL us at
moorecoinc.com
24HOURS 7 DAYS A WEEK

***Should you require assistance during assembly,
please call our Customer Service Department
Monday - Friday 8 a.m. - 5 p.m.
Central Standard Time 1-800-749-2258***

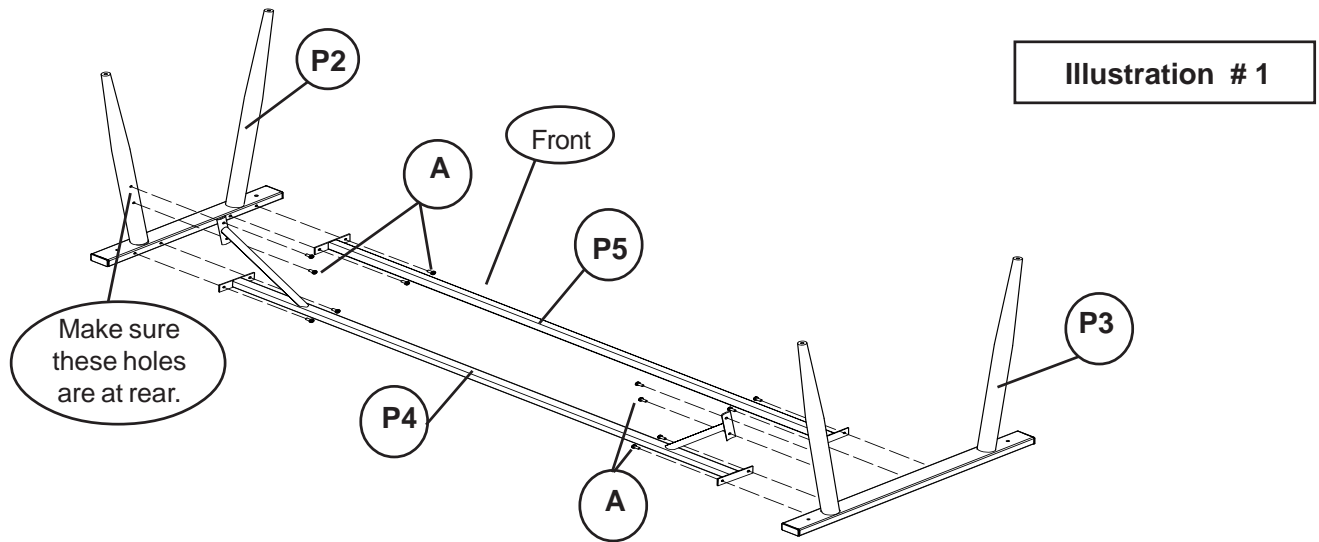
Do not use unless all screws are tight. At least every six months, check all screws to be sure they are tight. If parts are missing, broken, damaged, or worn, stop use of the product until repairs are made by your dealer using factory authorized parts.

iFlex Full Table

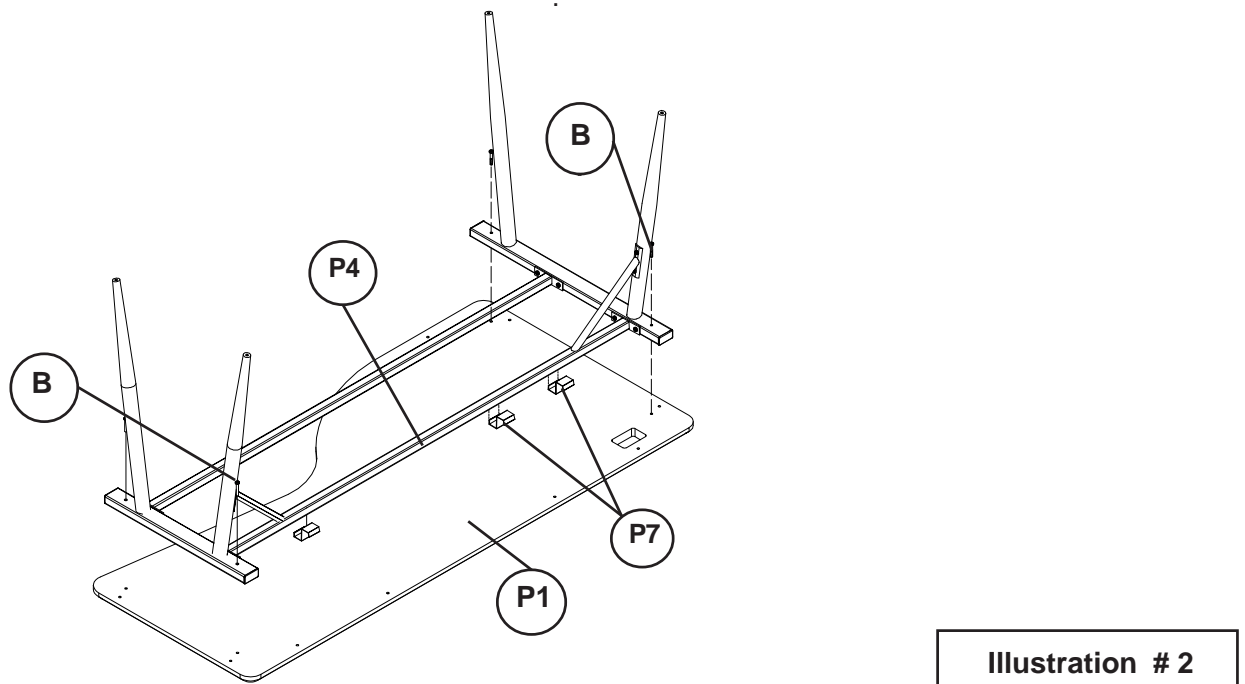
Assembly Instructions

READ THROUGH INSTRUCTIONS FROM BEGINNING TO END BEFORE STARTING TO ASSEMBLE UNIT.

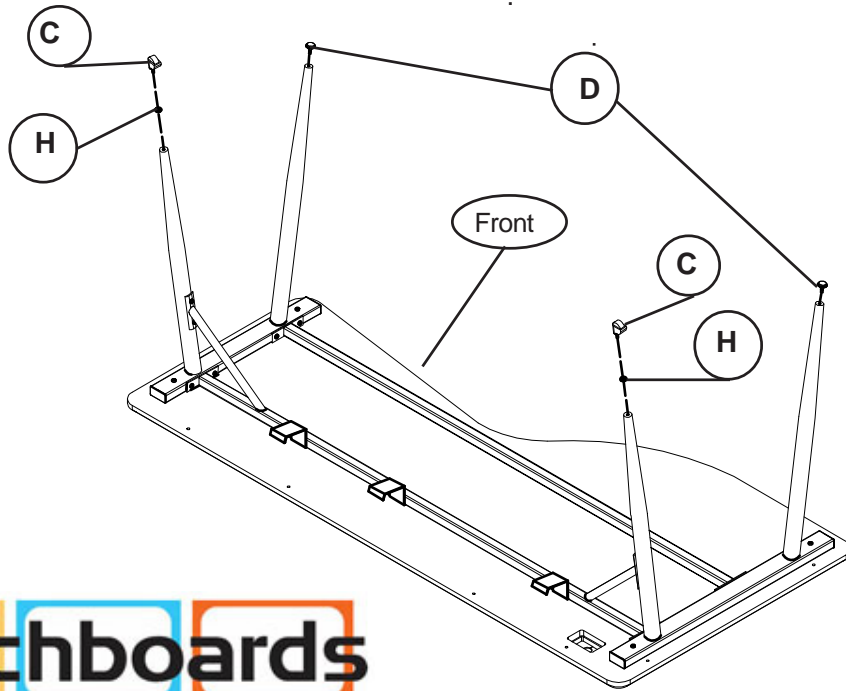
- 1.) Identify and Separate all the Parts and Hardware.
- 2.) Attach Front Brace (P5) to Left Leg (P2) using two Screws (A). Attach the other end of Front Brace (P5) to Right Leg (P3) using two Screws (A). Attach Rear Brace (P4) to Left Leg (P2) using four Screws (A). Attach the other end of Rear Brace (P4) to the Right Leg (P3) using four Screws (A) as shown in Illustration #1.



- 3.) Attach three Cable Clips (P7) to the Rear Brace (P4) and then attach the leg frame assembly from Step 2 to the bottom side of Table Top (P1) using four Screws (B) as shown in Illustration #2



- 4.) Screw in two Glides (D) into the bottom of the front legs. Place a Lock Washer (H) on each Caster (C) stem and then screw in Caster (C) into the bottom of each back leg as shown in Illustration #3. Tighten Casters (C) using Caster Wrench (F).



Touchboards

205 Westwood Ave, Long Branch, NJ 07740
Phone: 866-94 BOARDS (26273) / (732)-222-1511
Fax: (732)-222-7088 | E-mail: sales@touchboards.com

Illustration # 3

- 5.) Flip table to the upright position and press in three piece Grommet (G) as shown in Illustration #4.

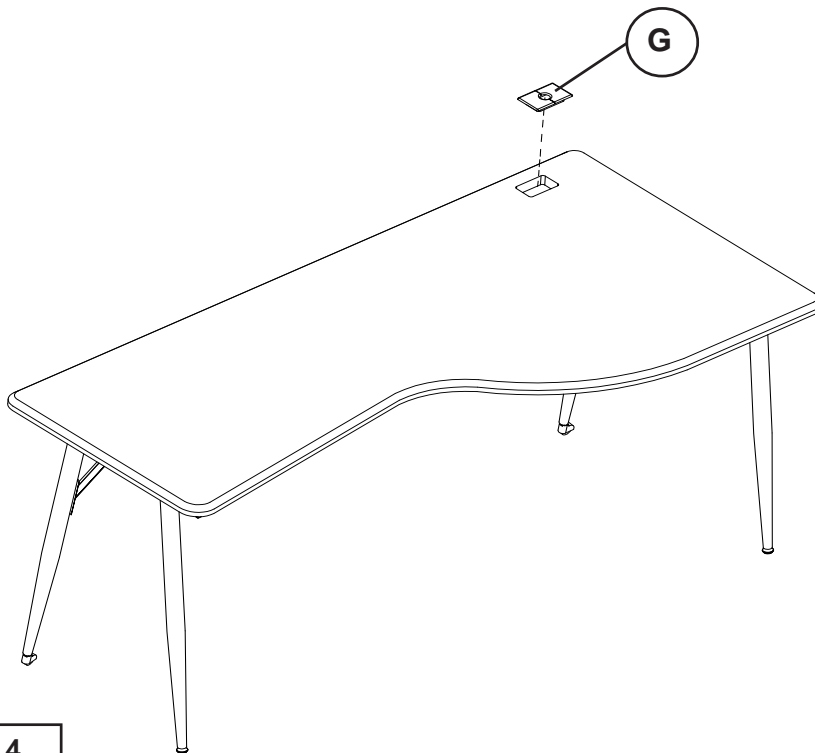


Illustration # 4

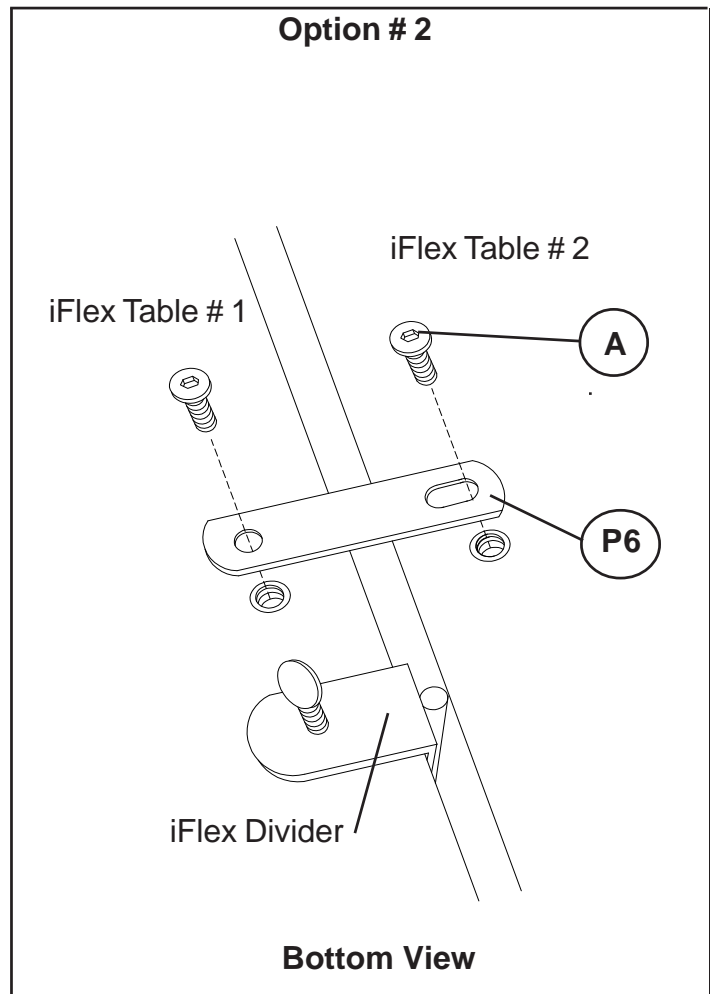
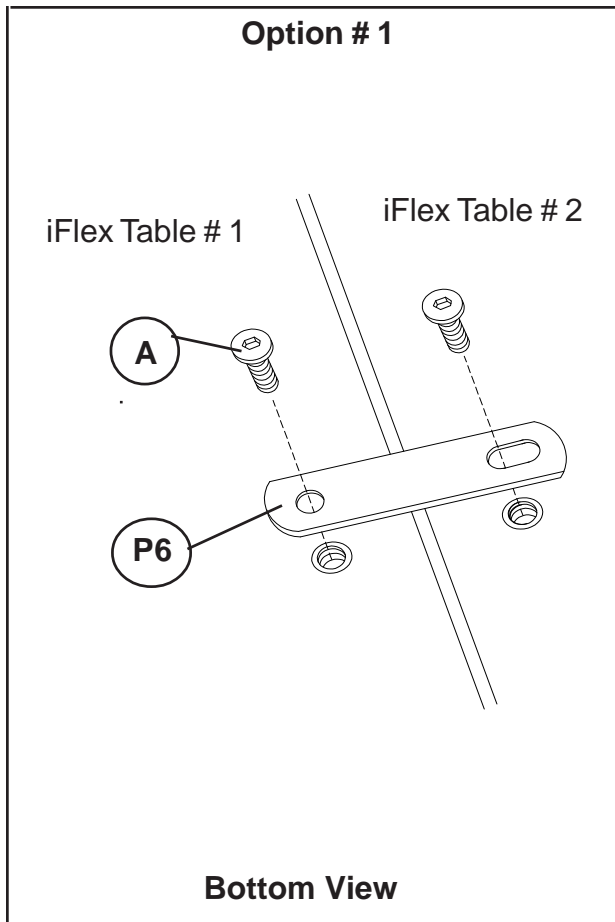
iFlex Ganging Bracket Details

Option # 1

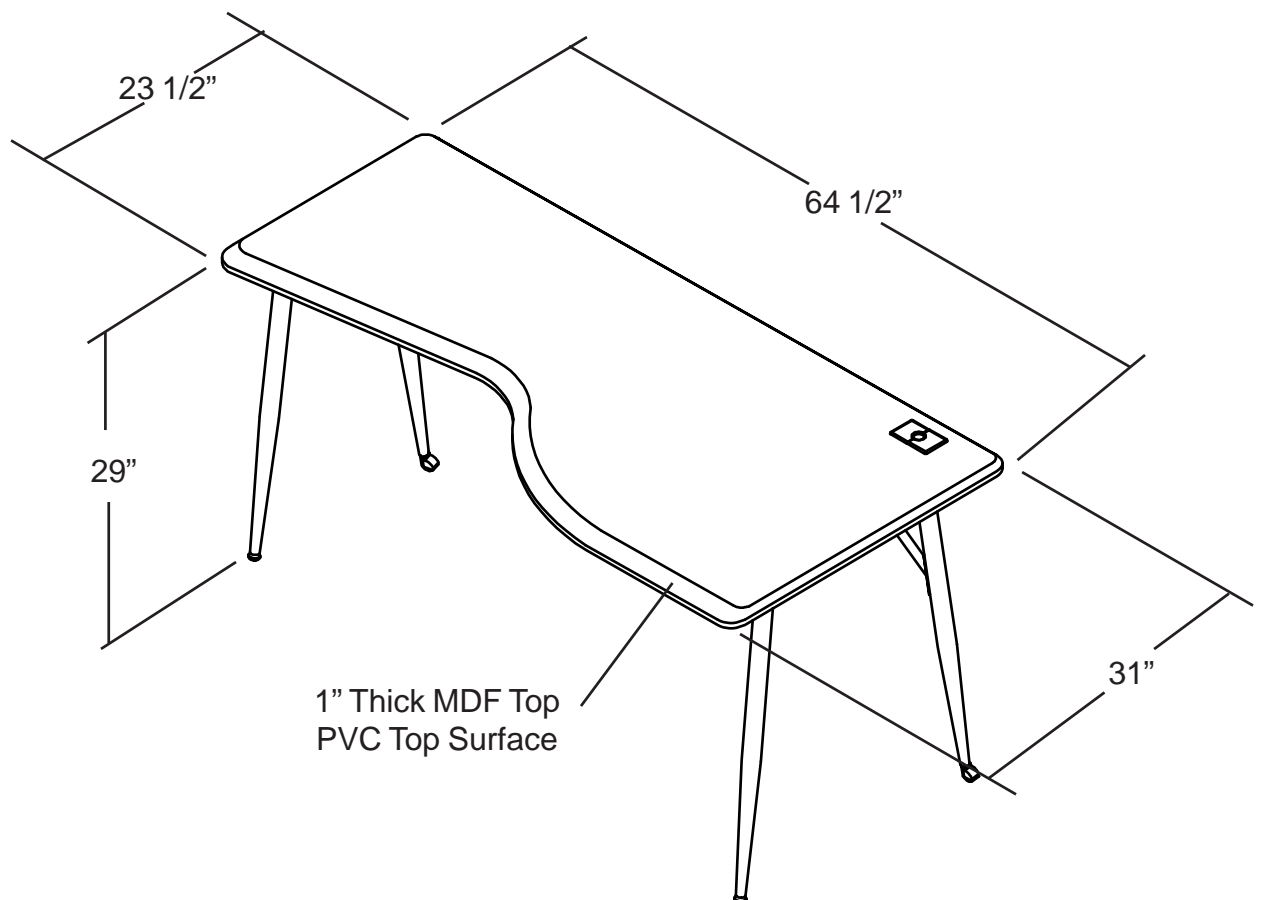
To gang two iFlex tables together, push the two tables together and line up the front and back edges. Under the table tops, you will find embedded, threaded inserts on the side and back edges. Use two Ganging Brackets (P6) and four Screws (A) to attach the iFlex Table # 1 to the iFlex Table # 2 as shown in **Option # 1's** illustration. Tighten the Screws (A) into the threaded inserts using Allen Wrench (E).

Option # 2

To gang two iFlex Tables together that have an iFlex Divider installed between them, push the two tables and divider together and line up the front and back edges. Under the table tops, you will find embedded, threaded inserts on the side and back edges. Use two Ganging Brackets (P6) and four Screws (A) to attach the iFlex Table # 1 with iFlex Divider attached to the iFlex Table # 2 as shown in **Option # 2's** illustration. Tighten the Screws (A) into the threaded inserts using Allen Wrench (E).



iFlex Full Table Right



Touchboards

205 Westwood Ave, Long Branch, NJ 07740
Phone: 866-94 BOARDS (26273) / (732)-222-1511
Fax: (732)-222-7088 | E-mail: sales@touchboards.com