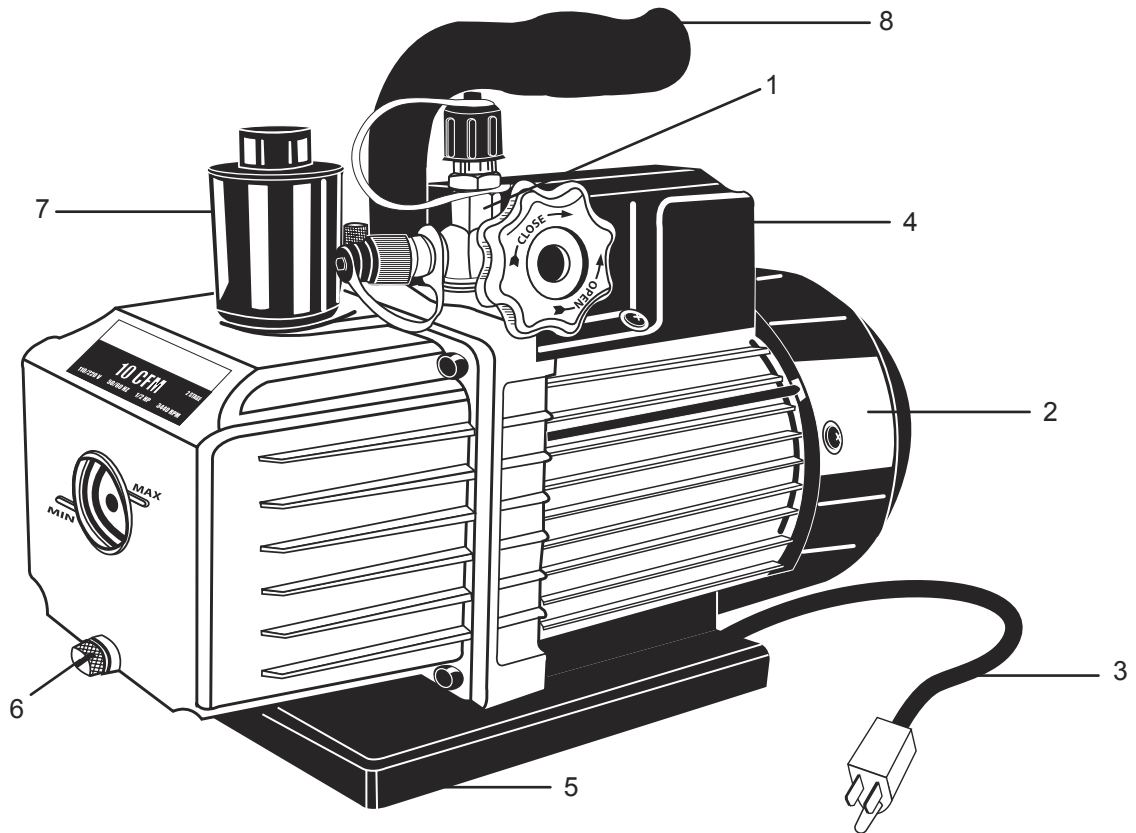




Mastercool[®]
Inc.
"World Class Quality"

**10 CFM TWO STAGE
VACUUM PUMP**

**REPAIRABLE PARTS BREAKDOWN
(90070-2V)**



| REF. # | DESCRIPTION | PART # |
|--------|------------------------------------|----------------------|
| 1. | VALVE WITH CAPS | 90056-01 |
| 2. | FAN COVER | 90070-2V-FC |
| 3. | 110V POWER CORD 220V POWER CORD | 6535-110 6535-220 |
| 4. | ON/OFF SWITCH | 90063-2V-SW |
| 5. | BASE PLATE | 90070-2V-BP |
| 6. | OIL DRAIN FITTING | 90063-2V-28 |
| 7. | EXHAUST FITTING | 90070-2V-10 |
| 8. | HANDLE | 90063-2V-H |