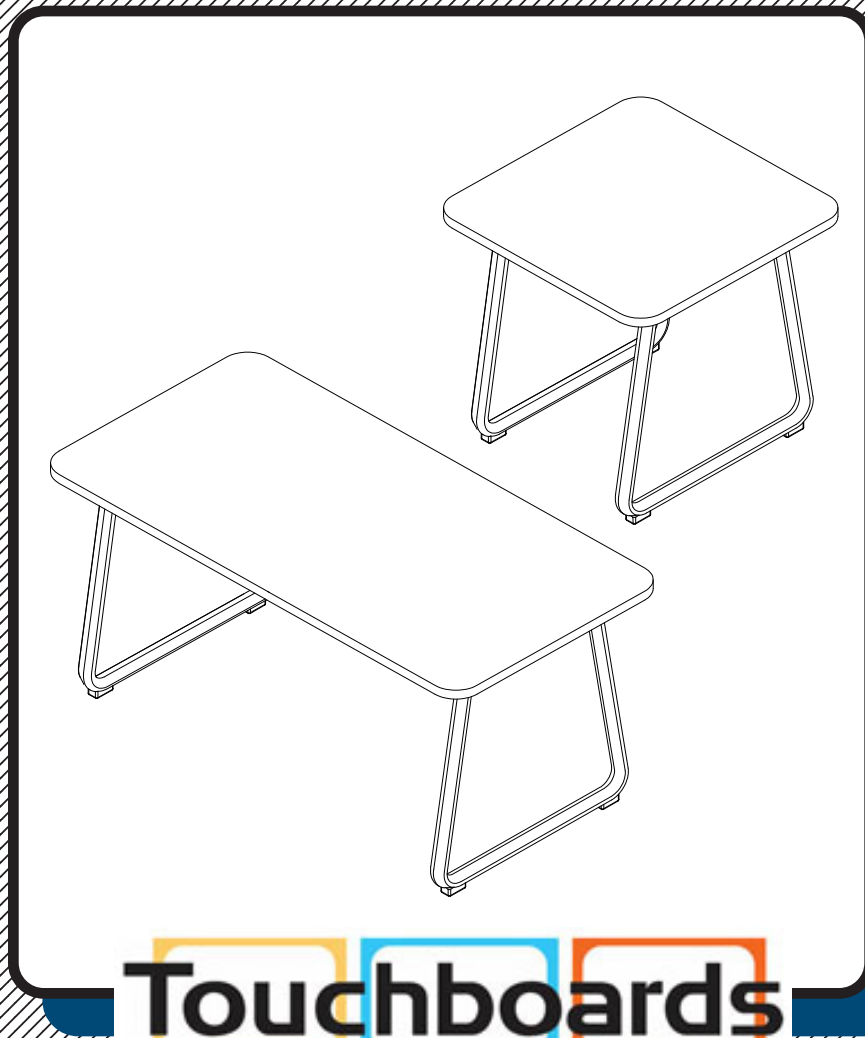




# Oui Reception Tables End and Cocktail

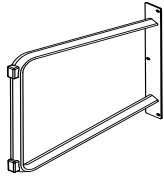

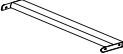
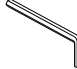
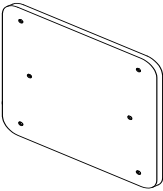


**Touchboards**

205 Westwood Ave, Long Branch, NJ 07740  
Phone: 866-94 BOARDS (26273) / (732)-222-1511  
Fax: (732)-222-7088 | E-mail: [sales@touchboards.com](mailto:sales@touchboards.com)

## Assembly Instructions

# Oui Reception Tables- End and Cocktail

Part Drawing	Description	Qty	Part Drawing	Description	Qty
P1	 Leg	2 EA	A	 Screw 1/4-20 X 15mm	10 EA
P2	 Top Support Tube	2 EA	B	 Allen Wrench	1 EA
P3	 Top Panel	1 EA	<b>Missing Parts or UPS Damaged Parts</b> For Your Convenience you can EMAIL us at <b><i>support@moorecoinc.com</i></b> 24HOURS 7 DAYS A WEEK		

**READ THROUGH INSTRUCTIONS FROM BEGINNING TO END BEFORE STARTING TO ASSEMBLE UNIT.**

- 1.) Identify and Separate all the Parts and Hardware.
- 2.) Place Top Panel (P3) face down on a padded surface.
- 3.) Attach a Leg (P1) to each side set of embedded threaded inserts in the bottom of the Top Panel (P3) using three Screws (A). Repeat this Step to attach the second Leg (P1) to the opposite side as shown in illustration #1. Leave the Screws loose.

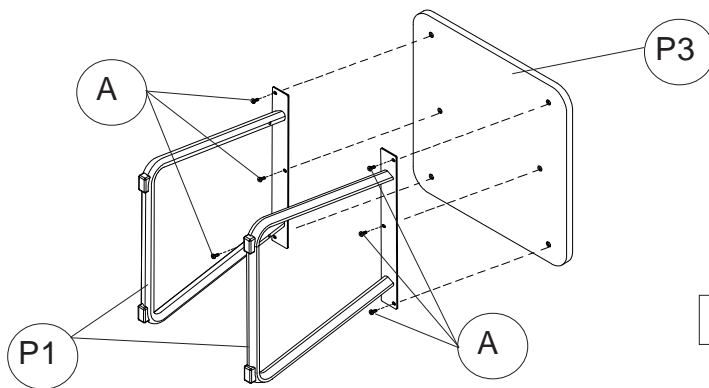
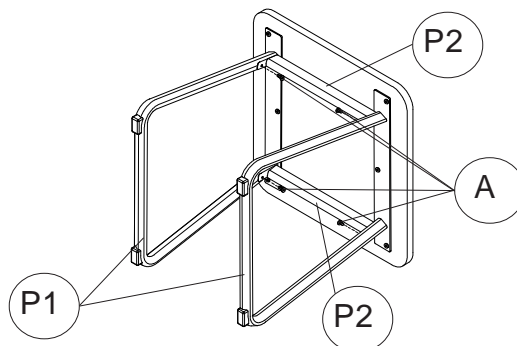


illustration #1

- 4.) Insert a Top Support Tube (P2) in between each leg. Line up the holes and attach using two Screws (A). Repeat this Step to attach the second Top Support tube as shown in illustration #2. Tighten all Screws with Allen Wrench (B).

illustration #2



# Oui Reception Tables End and Cocktail

