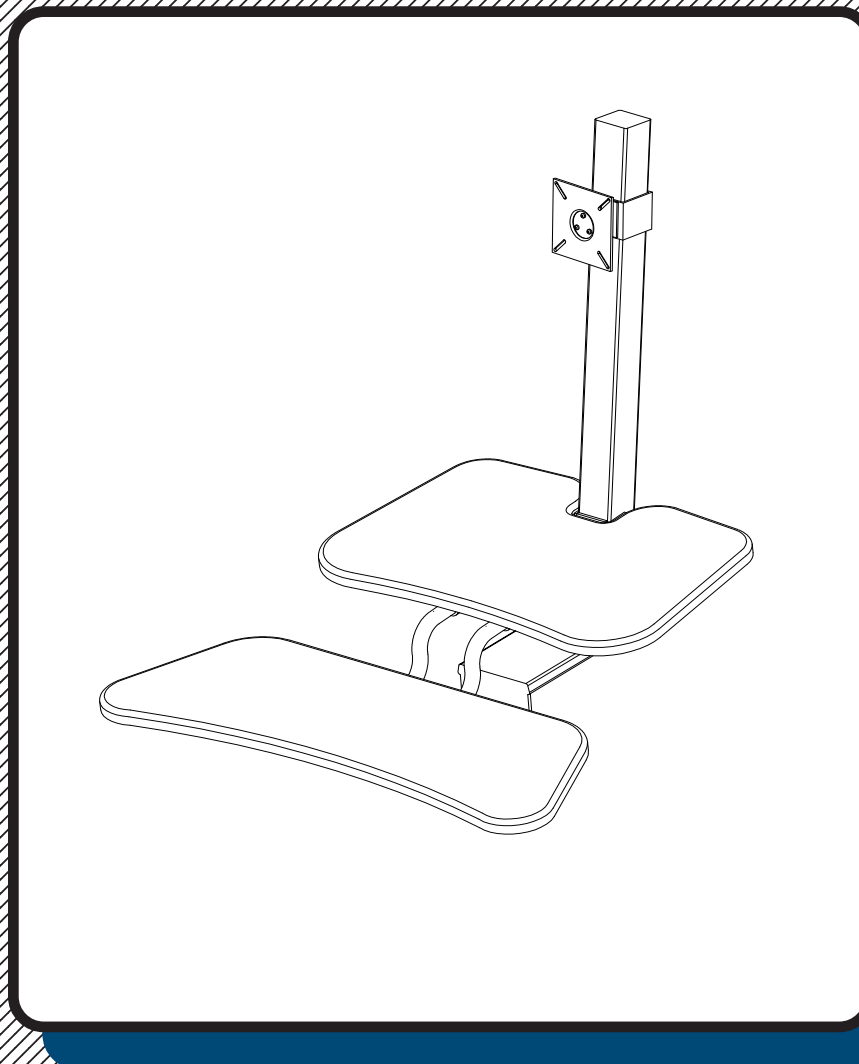
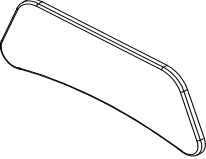



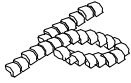
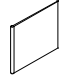



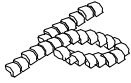
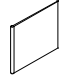



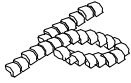
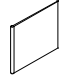
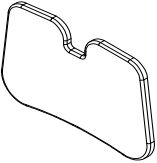
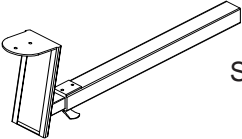
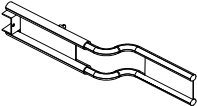
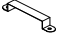
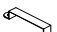

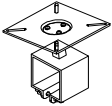


Sit-Stand Desktop Workstation Single Monitor



Assembly Instructions

Sit-Stand Desktop Workstation

Part	Drawing	Description	Qty	Part	Drawing	Description	Qty																				
P1		Keyboard Top	1 EA	<p style="text-align: center; margin: 0;">Hardware List</p> <table style="width: 100%; border-collapse: collapse;"> <tr> <td style="width: 5%; text-align: center;">A</td> <td style="width: 15%; text-align: center;"></td> <td style="width: 60%;">Screw M6*8mm</td> <td style="width: 20%; text-align: right;">2 EA</td> </tr> <tr> <td style="text-align: center;">B</td> <td style="text-align: center;"></td> <td>Screw M6*13mm</td> <td style="text-align: right;">10 EA</td> </tr> <tr> <td style="text-align: center;">C</td> <td style="text-align: center;"></td> <td>Allen Wrench</td> <td style="text-align: right;">1 EA</td> </tr> <tr> <td style="text-align: center;">D</td> <td style="text-align: center;"></td> <td>Wire Wrap</td> <td style="text-align: right;">1 EA</td> </tr> <tr> <td style="text-align: center;">E</td> <td style="text-align: center;"></td> <td>Tension Plate</td> <td style="text-align: right;">2 EA</td> </tr> </table>				A		Screw M6*8mm	2 EA	B		Screw M6*13mm	10 EA	C		Allen Wrench	1 EA	D		Wire Wrap	1 EA	E		Tension Plate	2 EA
A		Screw M6*8mm	2 EA																								
B		Screw M6*13mm	10 EA																								
C		Allen Wrench	1 EA																								
D		Wire Wrap	1 EA																								
E		Tension Plate	2 EA																								
P2		Main Top	1 EA																								
P3		Support Post	1 EA																								
P4		Keyboard Support	1 EA																								
P5		Top Bracket-Large	2 EA																								
P6		Top Bracket - Small	2 EA																								
P7		Desk Clamp	1 EA																								
P8		Monitor Mount	1 EA																								

Sit-Stand Desktop Workstation

Assembly Instructions

READ THROUGH INSTRUCTIONS FROM BEGINNING TO END BEFORE STARTING TO ASSEMBLE UNIT.

- 1.) Identify and Separate all the Parts and Hardware.
- 2.) Attach the Desk Clamp (P7) to the Support Post (P3) with two Screws (B) as shown in illustration #1. There are several different top thickness settings for the Desk Clamp's location. Tighten Screws using Allen Wrench (C).

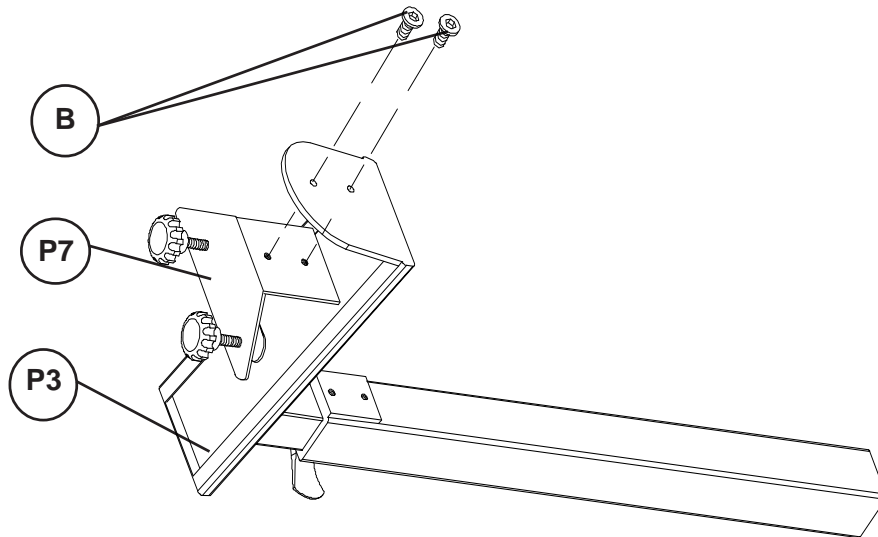


Illustration # 1

- 3.) Clamp the Support Post assembly to the front of your desk top. Attach the Keyboard Support (P4) to the Support Post (P3) using two Screws (A) as shown in illustration #2. Tighten Screws with Allen Wrench (C).

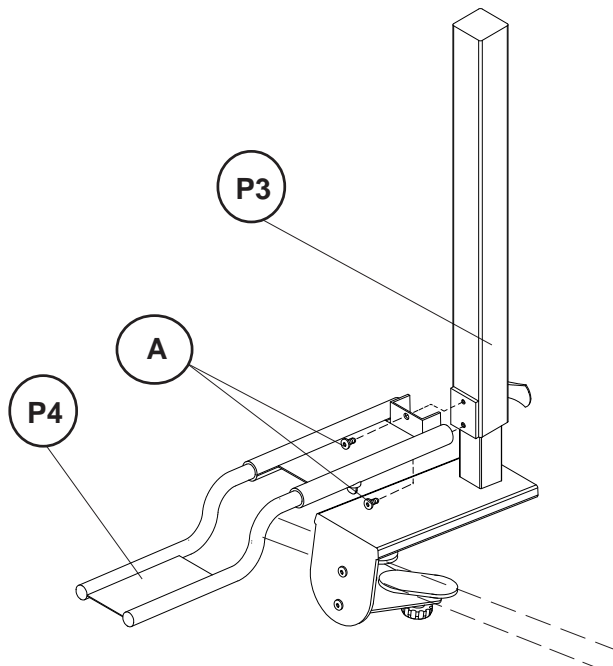
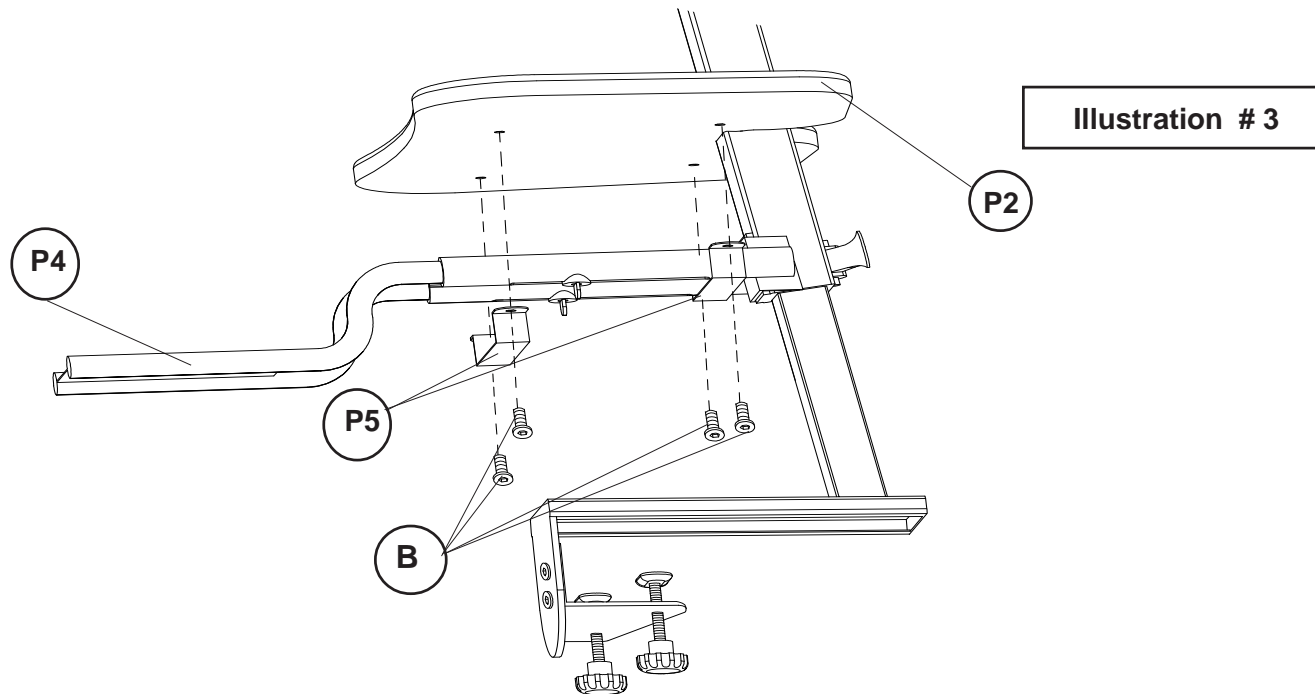


Illustration # 2

- 4.) Open the Support Post's clamp so that the top portion of the post extends up. Attach the Main Top (P2) to the Keyboard Support (P4) using two Top Brackets-Large (P5) and four Screws (B). The Screws fasten into embedded threaded inserts in the bottom of the Main Top. See illustration #3.



- 5.) Attach the Keyboard Top (P1) to the Keyboard Support (P4) using two Top Bracket-Small (P6) and four Screws (B). The Screws fasten into embedded threaded inserts in the bottom of the Keyboard Top as shown in illustration #4.

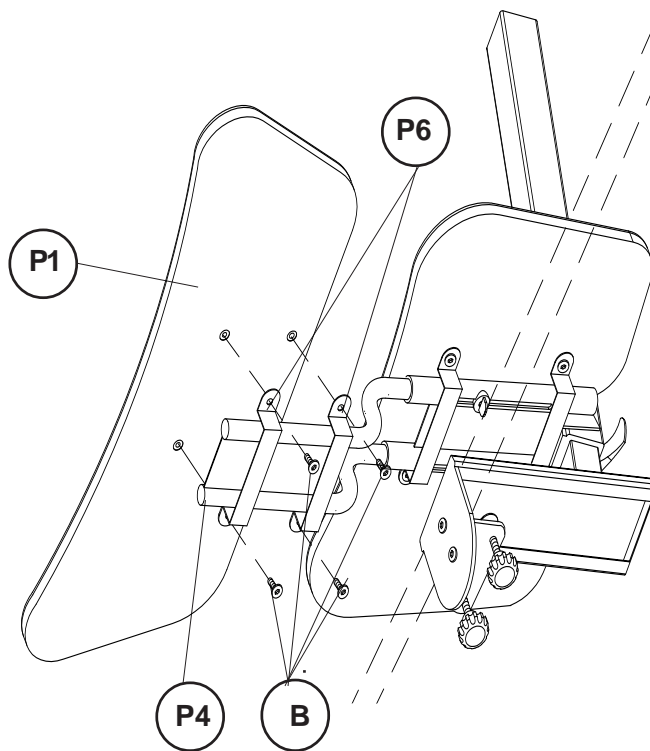
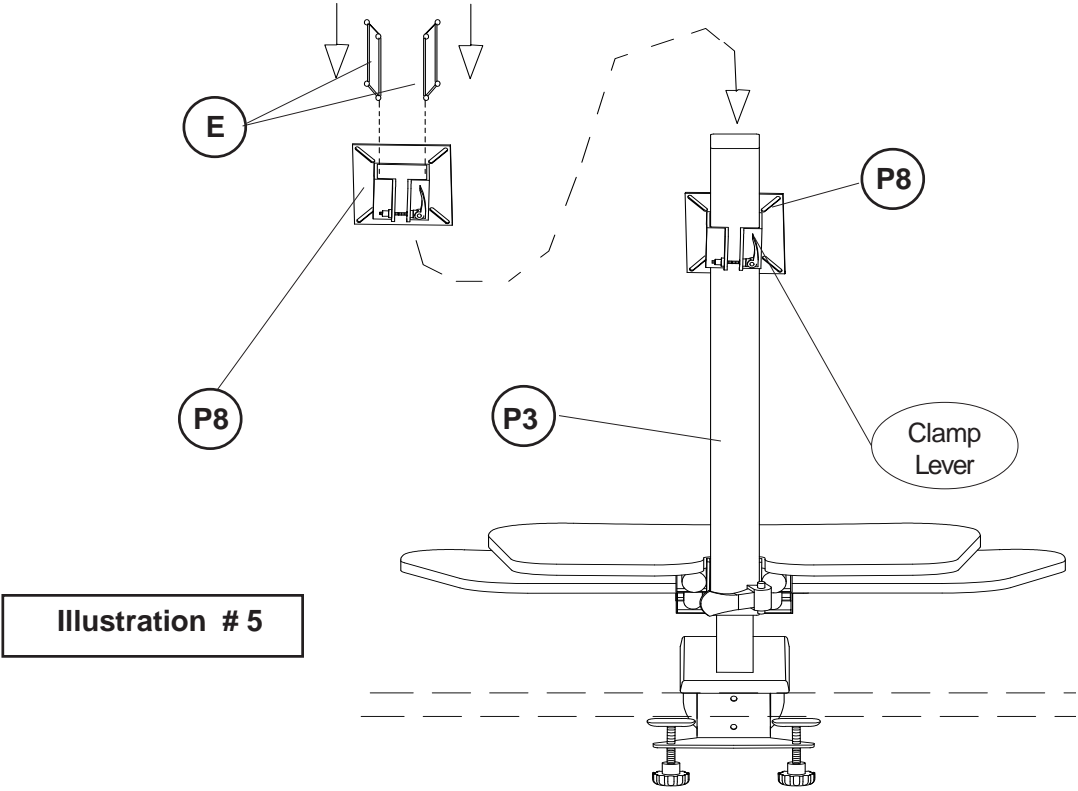
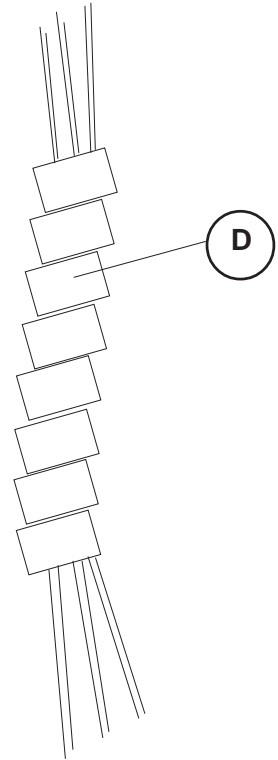


Illustration # 4

- 6.) Loosen the clamp lever on the Monitor Mount (P8) and insert two Tension Plates (E) on the sides. Slide the Monitor Mount down the vertical post of the Support Post (P3). Clamp the lever down to secure at your height setting. See illustration # 5.



- 7.) Use Wire Wrap (D) to manage electrical cables after your equipment is installed.



Sit-Stand Desktop Workstation Single Monitor

Touchboards

205 Westwood Ave, Long Branch, NJ 07740
Phone: 866-94 BOARDS (26273) / (732)-222-1511
Fax: (732)-222-7088 | E-mail: sales@touchboards.com

