

## Avid Modular Desk Systems

Model No: 91774 - 91786-XXXX-XX

### OVERVIEW

The flexible, functional, and customizable design of the Avid Desks makes creating your ideal workspace a breeze.

### TOP

The top is made of 1 1/8" Particleboard Core with 3mm Flat Vinyl T-Mold Edge. The work surface is constructed of 45# particleboard core with high pressure laminate (HPL) top surface and phenolic backer sheet for balanced construction. 1 1/8" 3mm flat vinyl t-mold is secured to the work surface with brad nails along the perimeter.

### MODESTY PANEL

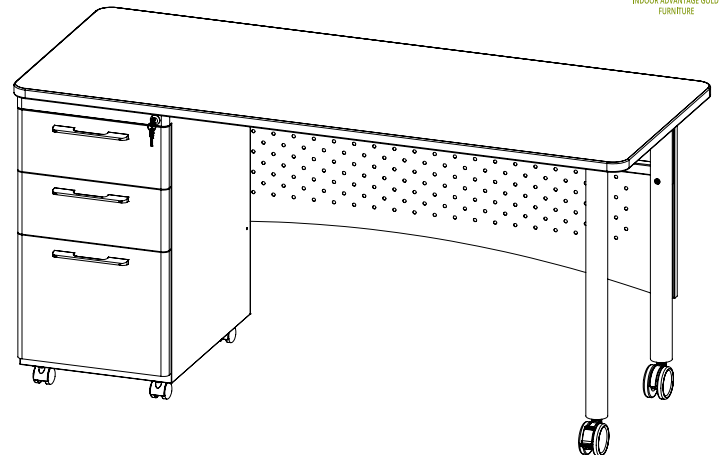
Made of 18 Ga steel, the modesty panel is available in both 60" and 72" options depending on your table size. The panel is 500mm tall.

### PEDESTAL FILING CABINET

The pedestal filing cabinet measures 28.73"H X 14.88"W X 21.5"D. There are two drawers holding 4"H x 12.6"W x 19.7"L and one larger drawer. One is 9.75" deep and two are 4" deep. The pedestal rests on four 2" casters attached with one M5 x 5mm screw each.

### LEGS

For single pedestal desks, front and back legs are made with 18 Ga round steel tubes welded to a 3mm thick steel mounting plate. Plate has eight screw holes for wood screws to attach directly to top. Two 3" casters with M8 x 15mm stems screw into threaded inserts welded into legs. Return desks use a similarly constructed leg with two leg tubes welded to a single steel plate with holes for six wood screws. Two 20 Ga, 25mm square steel tubes are welded in between legs for reinforcement.



### SUPPORT BAR

Return style desk uses two 20 Ga steel, square tube support bars. Support bars are attached to the side legs or pedestals with two M6 x 15mm screws on each side and secure to underside of table tops with 14 Ga U-Clamps wrapped around bars and screwed into top with two wood screws each.

### OPTIONS / ACCESSORIES

- Locking Accessory Drawer - Secure accessory drawer is ideal for documents, pens, and other small items. Interior measures 13"W.
- Pop-Up Grommets equipped with outlets and USB chargers are available to give this desk's users easy access to electricity.

### COMPLIANCE

- Indoor Advantage Gold Certified
- Tested to BIFMA Standards

### LAMINATE OPTIONS:



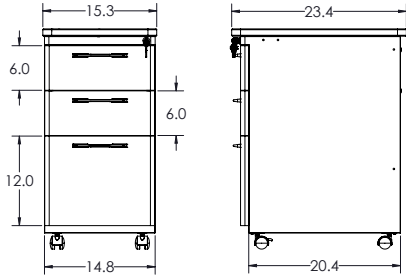
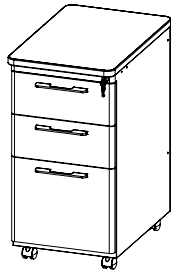
Amber Cherry Asian Night Castle Oak Fusion Maple Graphite Nebula Gray Elm Gray Nebula Low Line White Board

### EDGE COLORS:

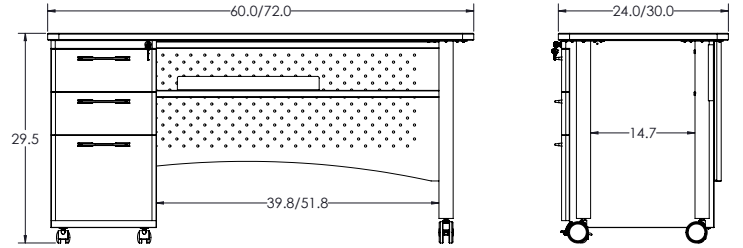
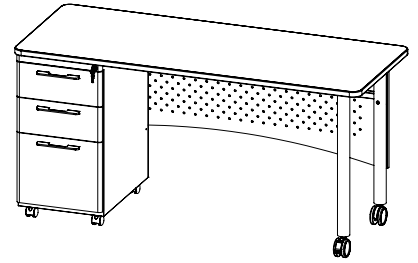


Black Cool Gray Platinum Purple Navy Blue Green Yellow Orange Red

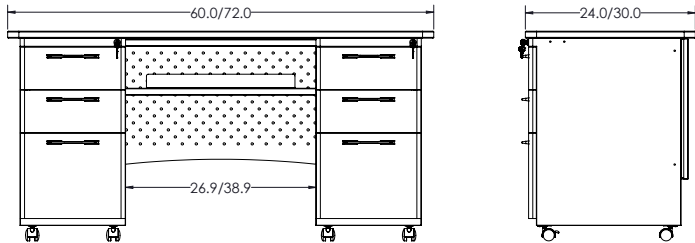
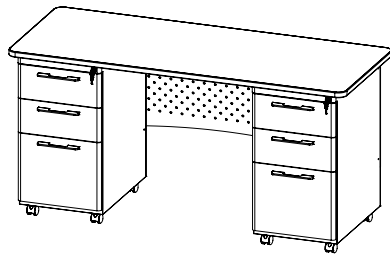
### 91784 Pedestal with Top



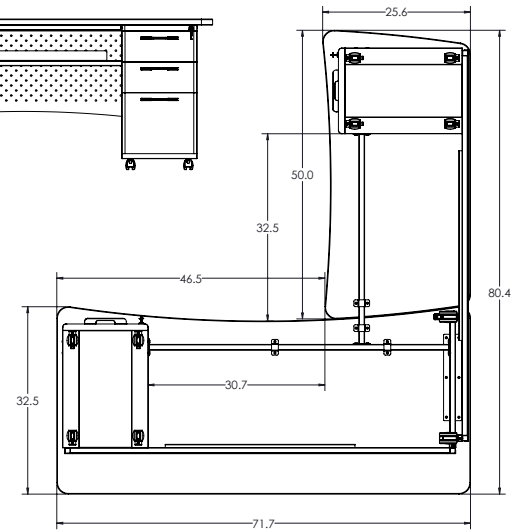
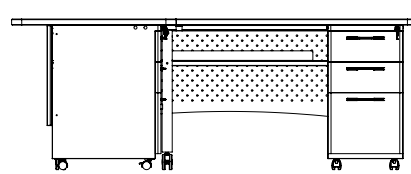
### 91774 - 91777 Single Pedestal



### 91778 - 91781 Double Pedestal



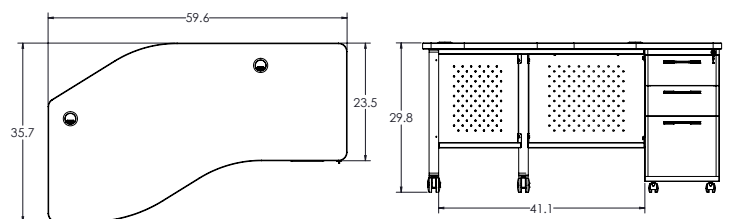
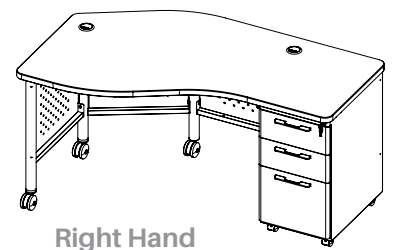
### 91782 Return Desk



### CONFIGURATIONS:

Base Model No.	Description	Dimensions
91784-XXXX-XX	Pedestal with Top	29.8"H X 18"W X 24"D
91774-XXXX-XX	Single Pedestal Desk 6030	29.8"H X 60"W X 30"D
91775-XXXX-XX	Single Pedestal Desk 6024	29.8"H X 60"W X 24"D
91776-XXXX-XX	Single Pedestal Desk 7230	29.8"H X 72"W X 30"D
91777-XXXX-XX	Single Pedestal Desk 7224	29.8"H X 72"W X 24"D
91778-XXXX-XX	Double Pedestal Desk 6030	29.8"H X 60"W X 30"D
91779-XXXX-XX	Double Pedestal Desk 6024	29.8"H X 60"W X 24"D
91780-XXXX-XX	Double Pedestal Desk 7230	29.8"H X 72"W X 30"D
91781-XXXX-XX	Double Pedestal Desk 7224	29.8"H X 72"W X 24"D
91782-XXXX-XX	Return Desk	29.8"H X 72"W X 80"D
91785-XXXX-XX	Instructor Desk (Right Hand)	29.8"H X 60"W X 36.3"D
91786-XXXX-XX	Instructor Desk (Left Hand)	29.8"H X 60"W X 36.3"D

### 91785 - 91786 Instructor Teacher Desk



**MooreCo, Inc.**  
 2885 Lorraine Avenue | Temple, TX 76501  
 p: 800.749.2258 | f: 866.888.7483  
[www.moorecoinc.com](http://www.moorecoinc.com)