
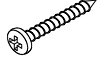




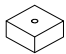

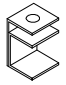


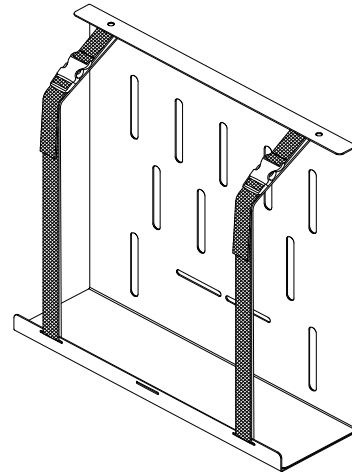


# Assembly Instructions:

To purchase parts or accessories, please contact us at  
[www.spectrumfurniture.com](http://www.spectrumfurniture.com)  
 1-800-235-1262  
 Thank you for choosing Spectrum products!

- |   |   |   |   |   |
|---|---|---|---|---|
|  |  |  |  |  |
| (2) 026547<br>1/4-20 x 1-1/2  | (2) 021605<br>#10 x 1-3/4<br>PHSM   | (1) 042025<br>1/4-20 x 3/8<br>THMS  | (2) 026057<br>#10 x 3/4<br>PHSM   | (2) 026017<br>1/4-20 x 1/2<br>PHMS  |
|  |  |  |  |   |
| (2) 056703<br>Strap/Buckle<br>Assembly  | (1) 0100193<br>2" x 2" x 1" Shim  | (1) 044890<br>1" Nylon Spacer   | (1) 042019<br>Leg Bracket   |   |
|  |  |   |   |   |
| (2) 034195<br>1/4-20 Wing Nut   | (1) 042139<br>Drill Template  |   |   |   |



## Adjustable CPU Sling #95513

**Tools Required:**  
 Phillips screwdriver  
 Drill with an 1/8" drill bit  
 (for desks without threaded inserts)



Before you begin, please make sure all parts and proper quantities are included. Any parts damaged during shipment must be reported within 15 days of receipt. To report information regarding damages or if you have any questions, please call 1-800-235-1262.

### 1. Sling Assembly

- Assemble the sling side and base using (2) 1/4-20 wing nuts as shown in **Figure 1A**.
- Thread the straps through the slots in sling side and base as shown in **Figure 1B** with the tails hanging down. (The center slot can be used for smaller CPU's.)
- Thread each strap through the buckles as shown.

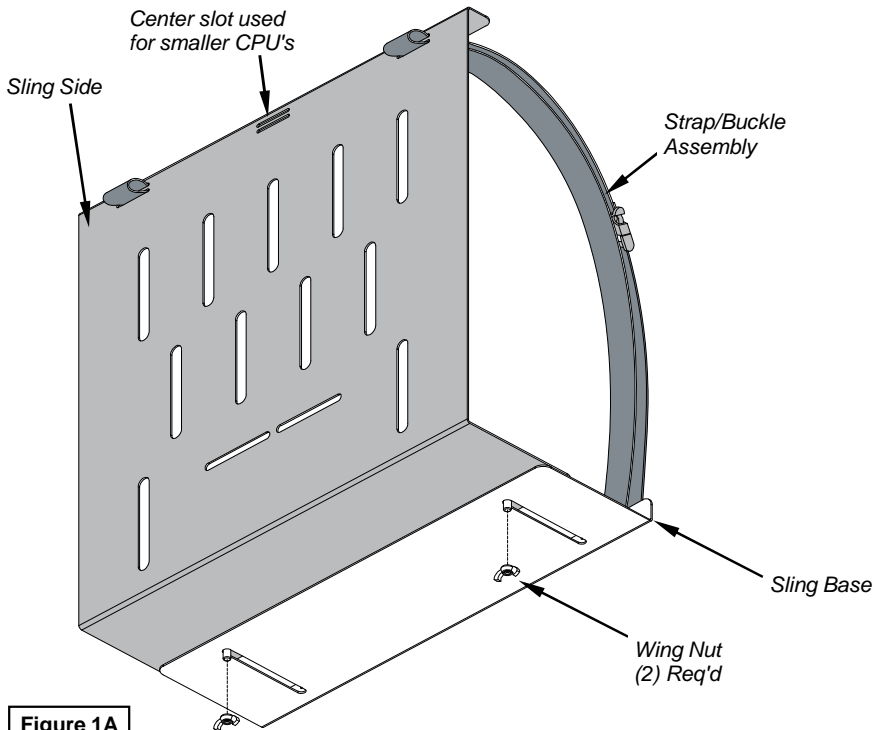


Figure 1A

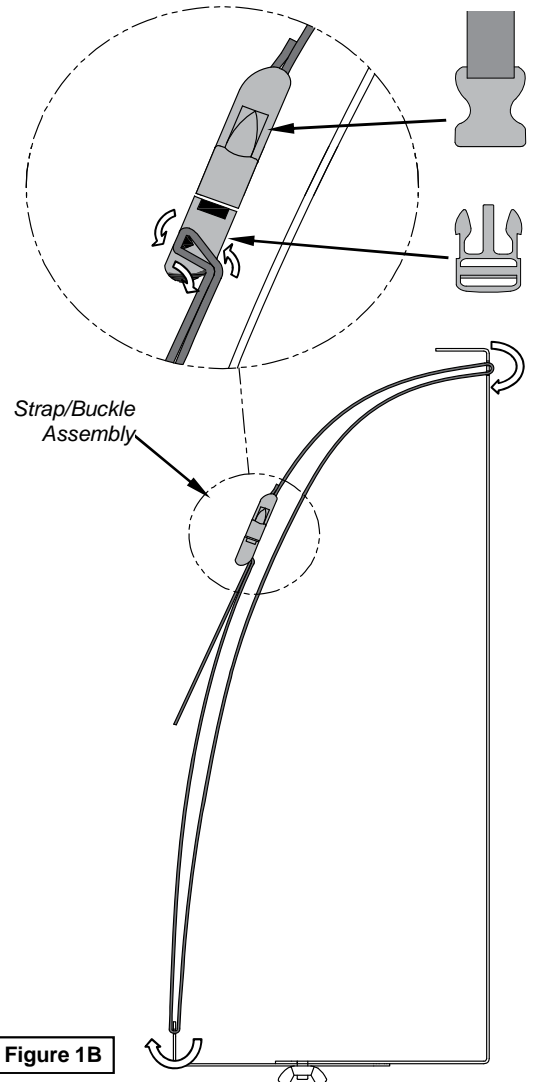


Figure 1B

## 2. Attaching Sling to desks with threaded inserts

**Note:** If desk does not have threaded inserts, skip to step 3.

- Determine whether the CPU Sling will mount on the right or left side of the desk and align the top sling holes with the appropriate set of inserts. **Figure 2A** shows a sling being mounted on the left side of a desk.
- Attach the Sling to the worksurface using two 1/4-20 PHM Screws and tighten.

**Note:** Desks without support brace (Figure 2A) use two 1/4-20 x 1/2" PHM Screws (026017.) For desks with Support Brace (Figure 2B), use one Nylon Spacer (044890) in the front hole, and one 2" x 2" x 1" Shim (010093) in the back hole with the longer 1/4-20 x 1-1/2" PHM Screws (026547.) The front of the sling will extend past the Support Brace.

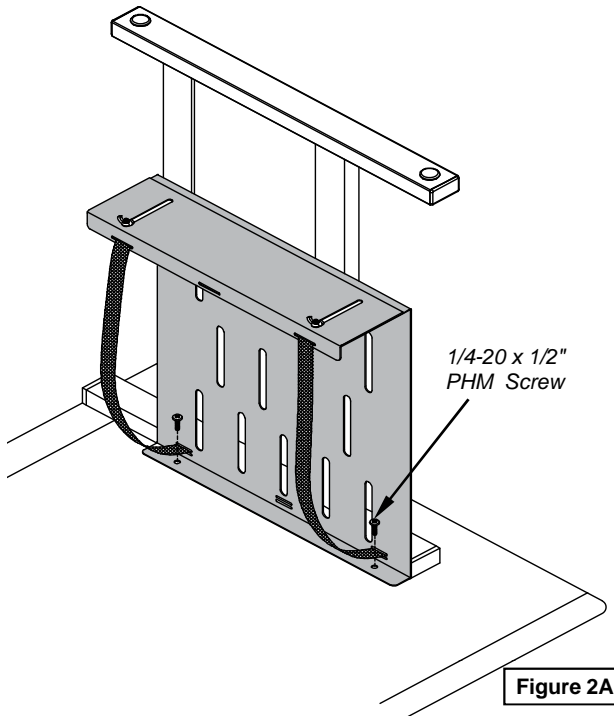


Figure 2A

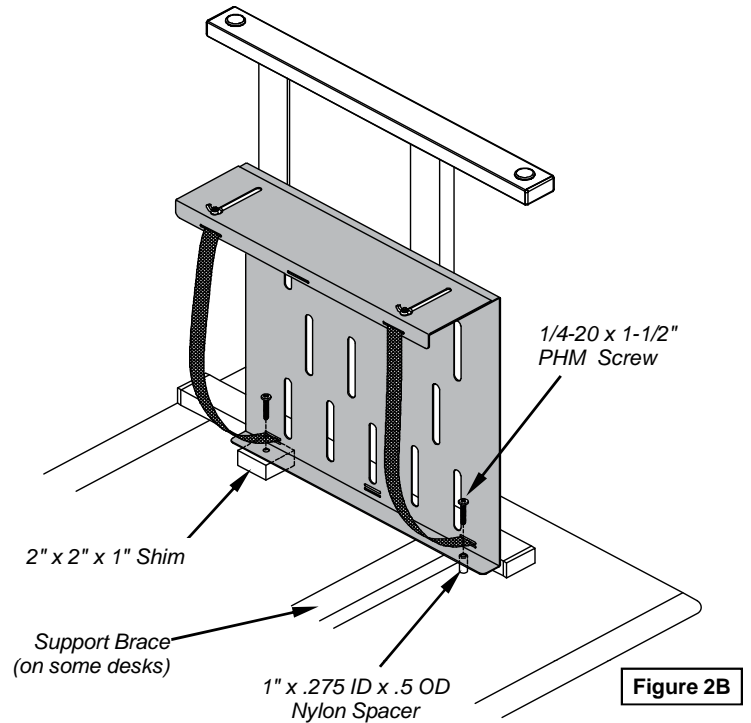


Figure 2B

## 3. Attaching Sling to desks without threaded inserts

- Determine whether the CPU Sling will mount on the right or left side of the desk.
- Fold and tape the enclosed Drill Template (042139) to the underside of the worksurface in the position shown in **Figure 3A**. Wrap a piece of tape around a 1/8" drill bit to mark 3/4" from the end of the bit-**Figure 3B**. Drill through the Template on the two marked holes closest to the Leg, 3/4" deep. **Figure 3A**.
- Attach CPU sling to worksurface using (2) #10 Sheet Metal Screws.

**Note:** Desks without inserts or Support Brace use two #10 x 3/4" PHSM Screws (026057.) Desks without inserts that include a Support Brace as in Figure 3A, use one Nylon Spacer (044890) in the front hole, and one 2" x 2" x 1" Shim (010093) in the rear hole using the longer #10 x 1-3/4" PHSM Screws (021605.) The front of the CPU Sling will extend past the Support Brace (See Figure 2B for reference.)

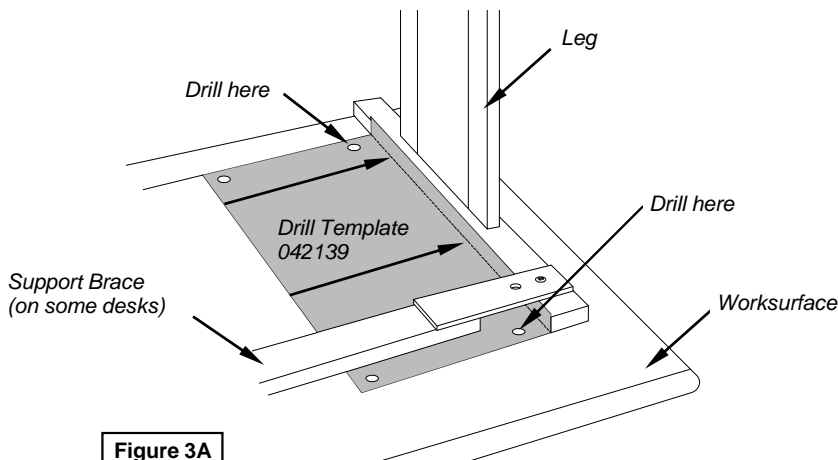


Figure 3A

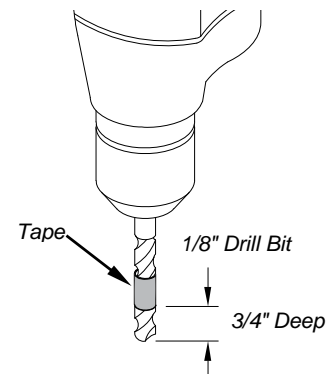


Figure 3B

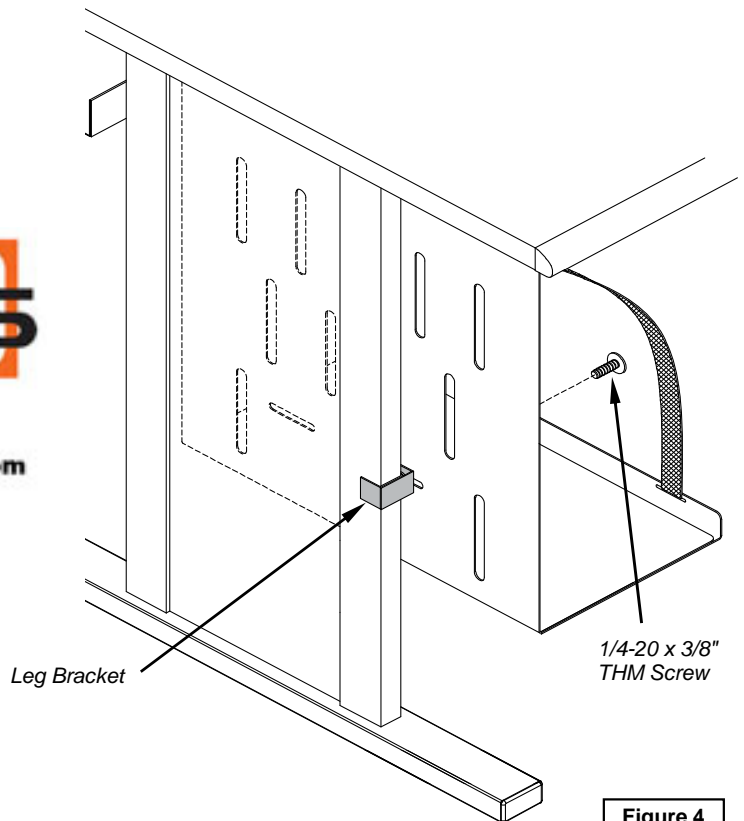
## 4. Attaching Leg Bracket

**Note:** If the CPU Sling is being used on a CLASS™ or Evolution™ desk, the included (042019) Leg Bracket should be attached to the Sling and Front Leg.

- Line up the leg bracket with the front slot of the CPU sling as shown and attach to the sling with a 1/4-20 x 3/8" THM Screw.
- Figure 4.**
- Adjust the leg bracket until it is snug against the leg and tighten screw.

# Touchboards

205 Westwood Ave, Long Branch, NJ 07740  
Phone: 866-94 BOARDS (26273) / (732)-222-1511  
Fax: (732)-222-7088 | E-mail: sales@touchboards.com



## 5. Installing CPU

- Slide the base to the widest position and carefully place the CPU unit into the sling.
- Slide the base tight against the CPU and tighten the two wing nuts underneath.
- Make sure the CPU will be supported by both straps. Tighten the straps around the CPU while keeping the buckles positioned as high as possible to avoid interference. **Figure 5A.** The center slot can be used with smaller CPU's. **Figure 5B.**

