

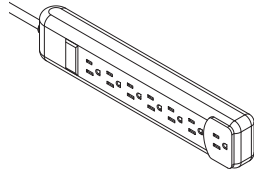
Installation Instructions

Important

Before you begin, please make sure all parts and proper quantities are included. Any parts damaged during shipment must be reported within 15 days of receipt. To report information regarding damage, to purchase parts or accessories, or if you have any questions, please contact us at:

www.spectrumfurniture.com
 715-723-6750, 800-235-1262

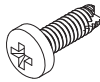
Thank you for purchasing Spectrum products!



052741
 7-outlet power strip



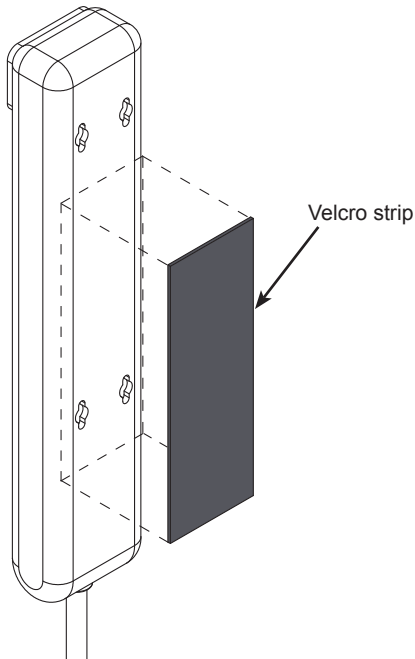
6" Velcro® strips
 (1) 052309 - Hook
 (1) 052310 - Loop



0100166
 (2) 6-32 x 1/2" PH thread-cutting screw
 (used when mounting with keyhole slots on back of power strip)

Desk installation

1. Remove the backer from one Velcro strip to expose the adhesive.
2. Center and attach the Velcro to the back of the power strip. **Figure 1A.**
3. Remove the backer from the second Velcro strip, and attach to the vertical part of the cord channel shown in **Figure 1B.**
4. Press power strip into place.



power strip **Figure 1A**

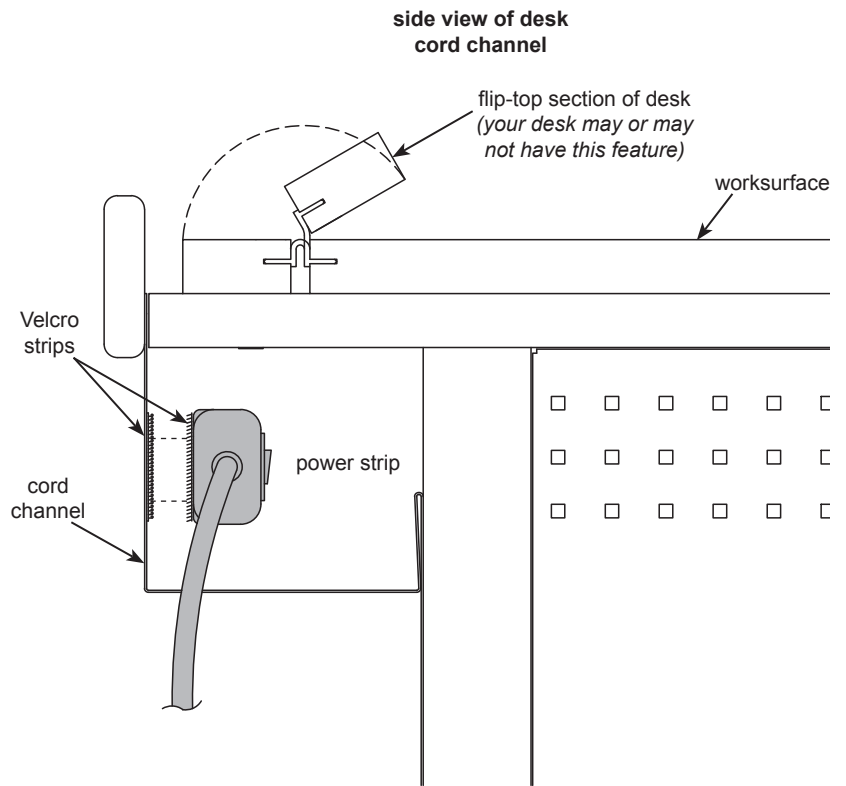


Figure 1B



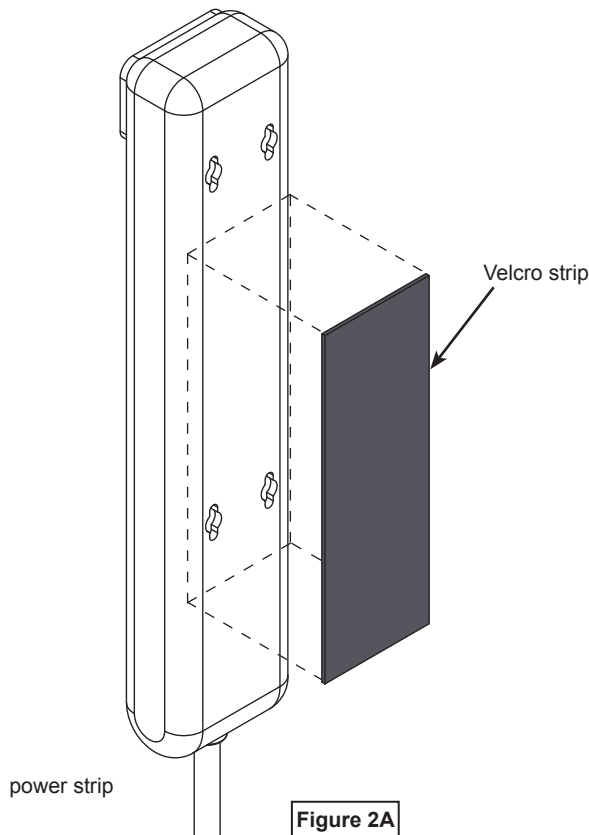
7-Outlet Power Strip
 99024

Note: Do not connect any electrical equipment to the power strip until it is mounted securely. Keep the power strip switched off until plugged into a wall outlet. To maintain UL-compliance, do not "daisy-chain" multiple power strips. See instructions included with the power strip for further installation, operational, and safety instructions.

Cart / lectern installation

Velcro-mounting:

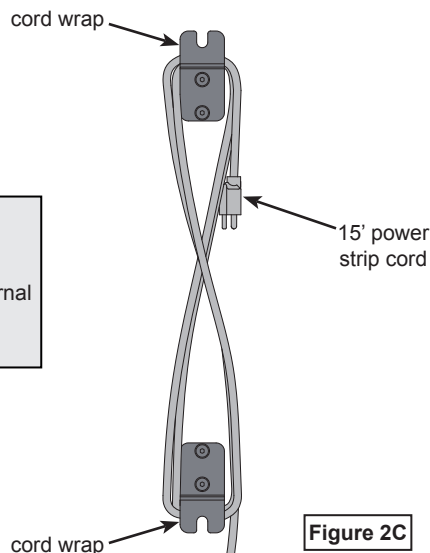
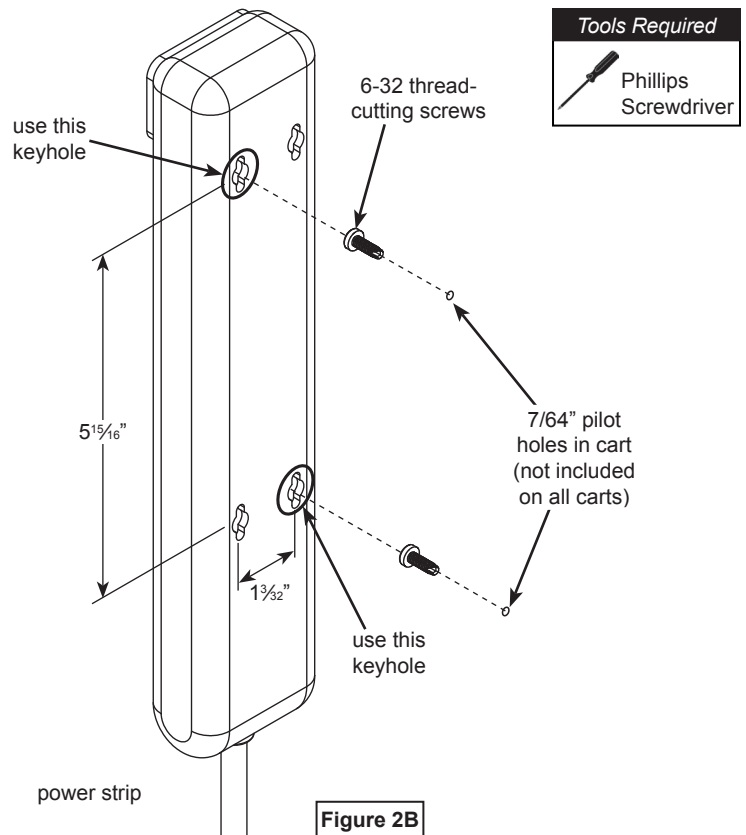
1. Remove the backer from one Velcro strip to expose the adhesive.
2. Center and attach the Velcro to the back of the power strip. **Figure 2A.**
3. Remove the backer from the second Velcro strip, and attach to the cart / lectern where needed.
4. Press power strip into place.



Screw-mounting:

Note: Some Spectrum laptop carts include (2) mounting holes that accept the two enclosed 6-32 thread-cutting screws that are used with the keyhole slots on the back of the power strip.

1. Locate the two 7/64" holes on the cart (if equipped). **Figure 2B.**
2. Install the two 6-32 x 1/2" PH thread-cutting screws into the holes-leave about 1/4" of the screw heads exposed.
3. Align the power strip keyholes and set the power strip onto the screws. The screws can be adjusted to fine-tune the fit if necessary.



Cord wraps

Note: Most Spectrum carts include external cord wraps that can be used to secure excess power strip cord. **Figure 2C.**