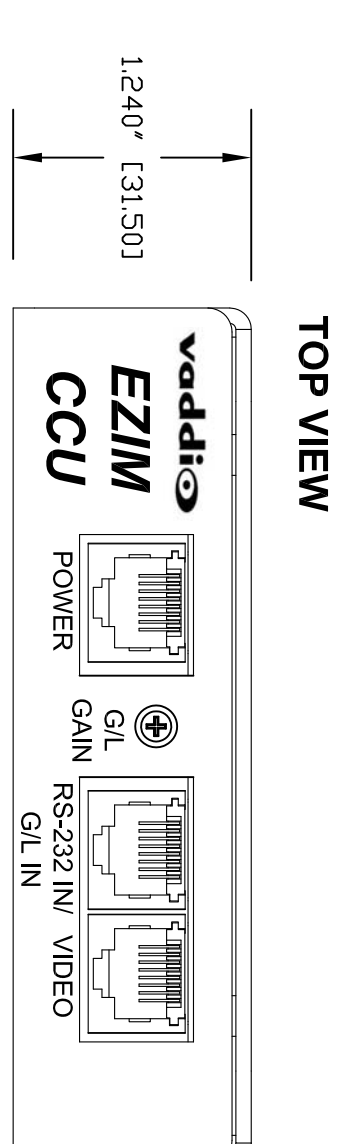
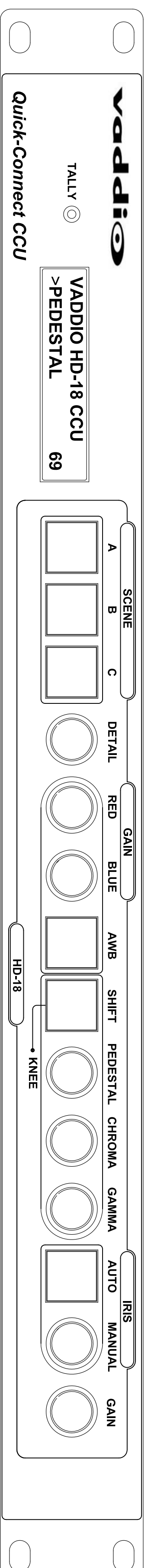


Quick-Connect CCU Series

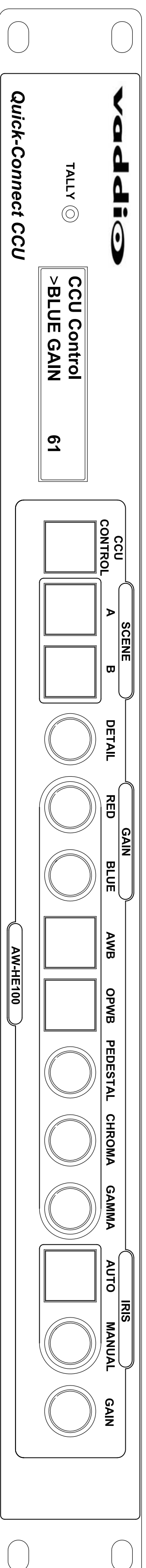
VADDIO
HD-18



EZIM CCU

TOP VIEW

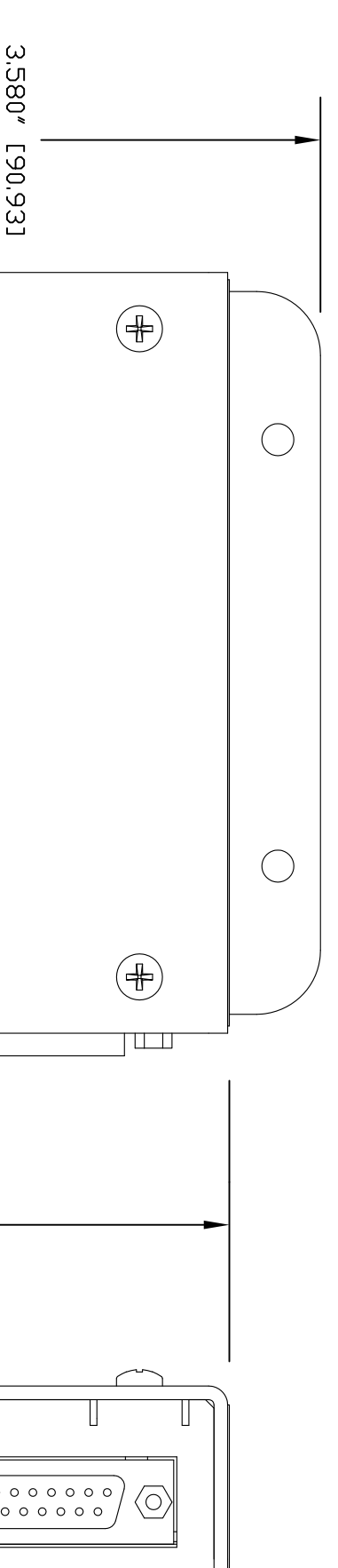
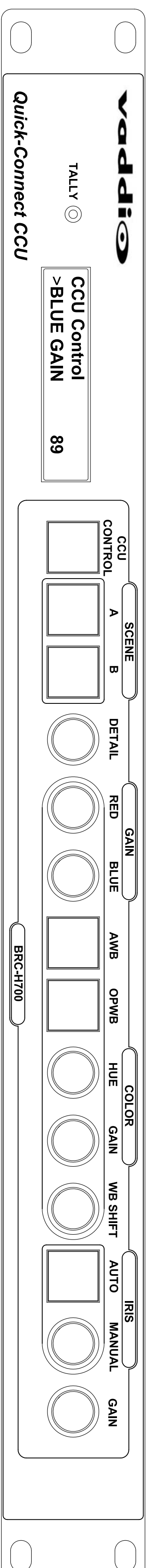
Panasonic
AW-HE100



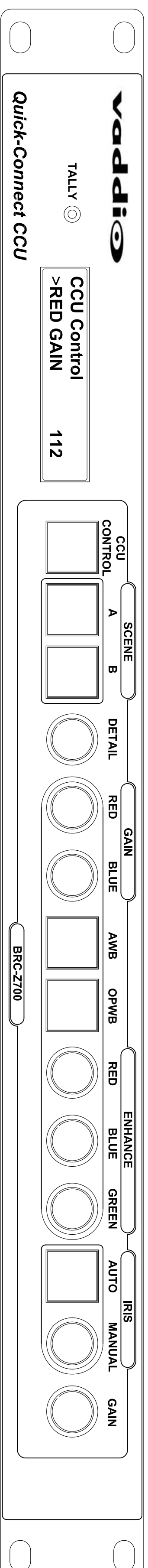
FRONT VIEW

SIDE VIEW

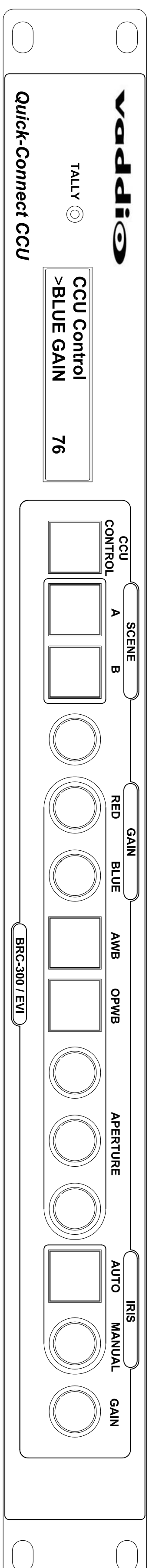
BRC-H700



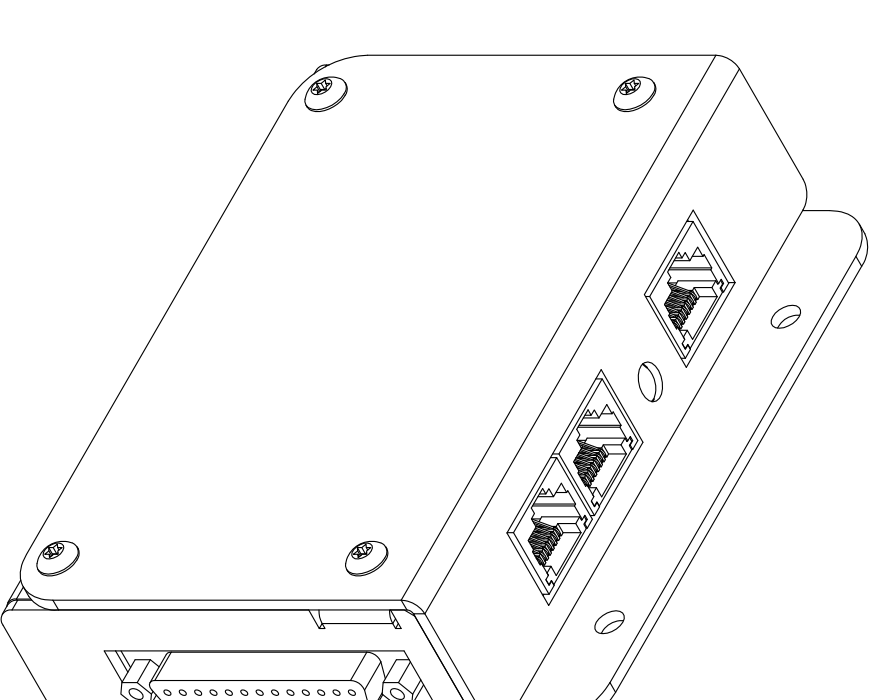
BRC-Z700



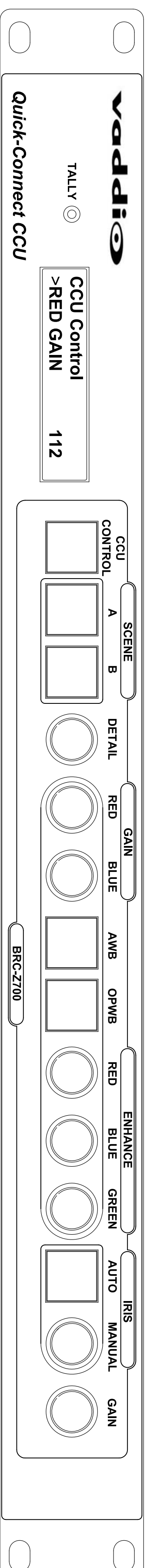
BRC-300
EVI-HD1
EVI Series



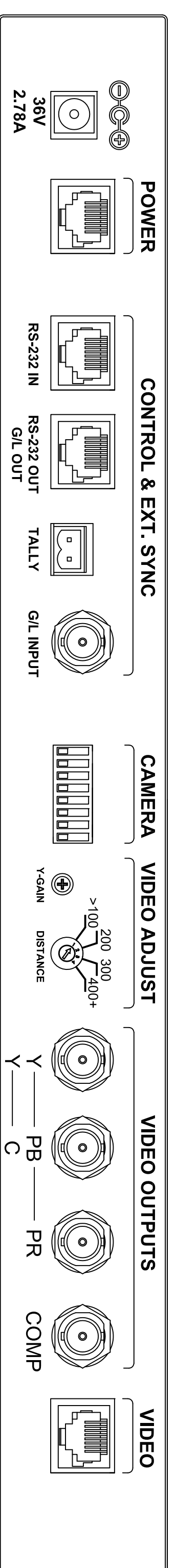
ISO VIEW



BRC-Z330



REAR VIEW
ALL MODELS



205 Westwood Ave, Long Branch, NJ 07740
Phone: 866-94 BOARDS (26273) / (732)-222-1511
Fax: (732)-222-7088 | E-mail: sales@touchboards.com



Quick-Connect CCU Series & EZIM CCU

FDR Vaddio HD-18, Panasonic AW-HE100, Sony BRC-H700,
BRC-Z700, BRC-300, BRC-Z330, EVI-HD1, PTZ CAMERAS

DATE 02/04/10

SCALE 1:1 DRAWING No. 1105-011 REV A

GENERAL NOTES	DIMENSIONS ARE IN INCHES UNLESS OTHERWISE NOTED
	OR MILLIMETERS AS NOTED.
	ALL DIMENSIONS ARE TO CENTER UNLESS OTHERWISE NOTED.
	ALL RIGHTS RESERVED. COPYRIGHT © 2008
	THIS DRAWING, INCLUDING ALL SUBJECT MATTERS INDICATED THEREON OR DERIVED THEREFROM, IS THE PROPERTY OF VADDIO INC. TO OUR CONTINUING EFFORTS TO ENHANCE OUR PRODUCTS, WE RESERVE THE RIGHT TO CHANGE SPECIFICATIONS WITHOUT PRIOR NOTICE OR OBLIGATION.
TOLERANCES	
CNC - BLACK POWDERCOAT	
COMMENTS	THEMAL DISPLACEMENT INDENTERS - NOT INCLUDED