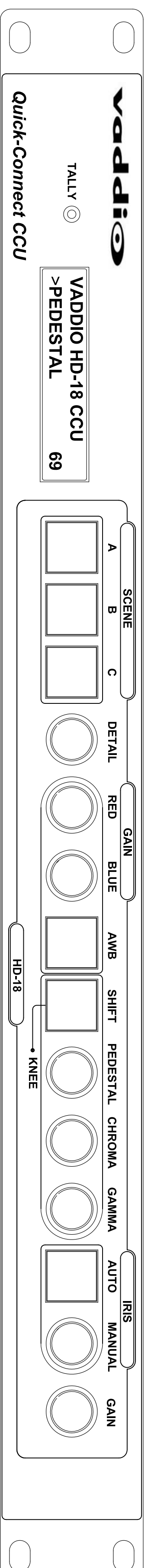
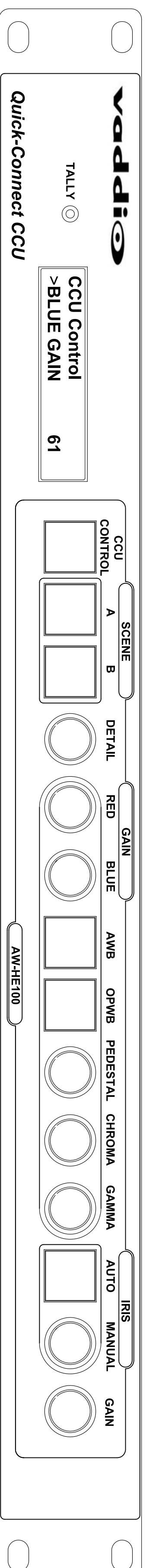


# Quick-Connect CCU Series

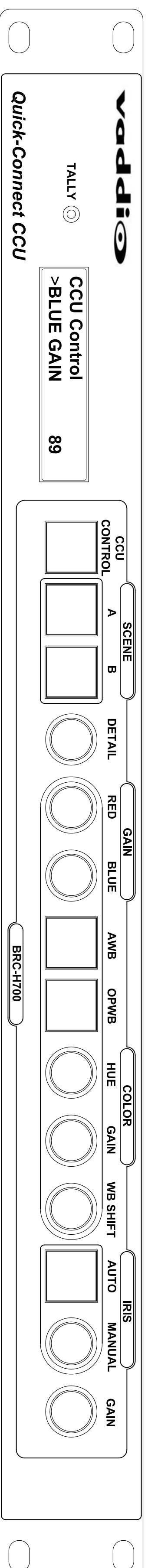
VADDIO  
HD-18



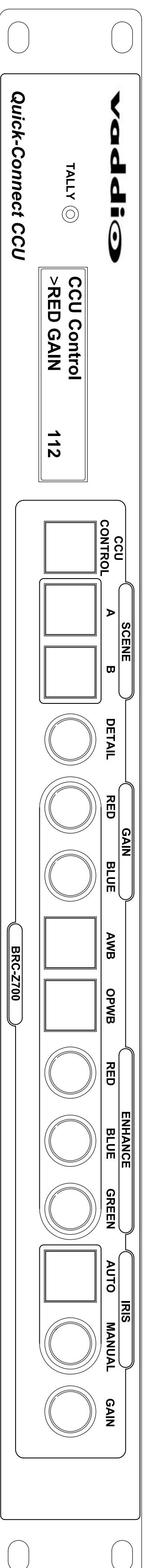
Panasonic  
AW-HE100



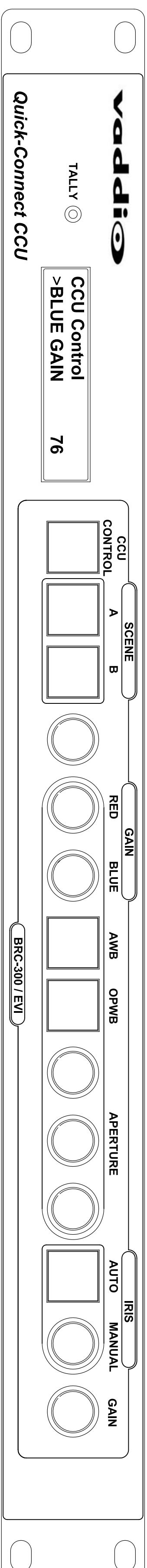
BRC-H700



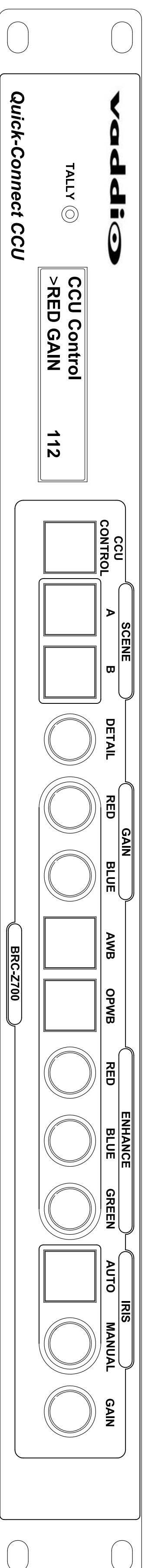
BRC-Z700



BRC-300  
EVI-HD1  
EVI Series



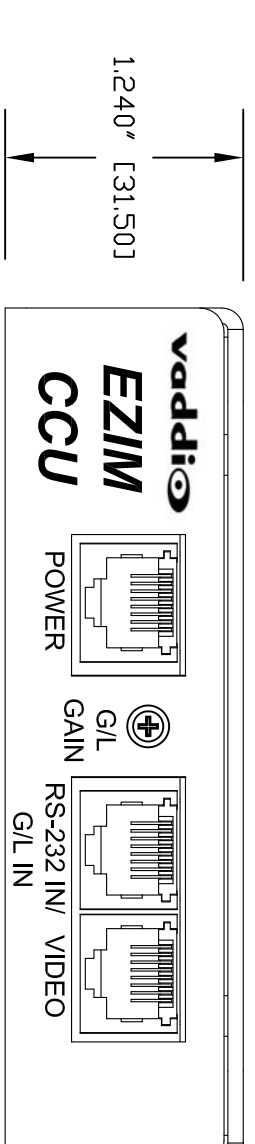
BRC-Z330



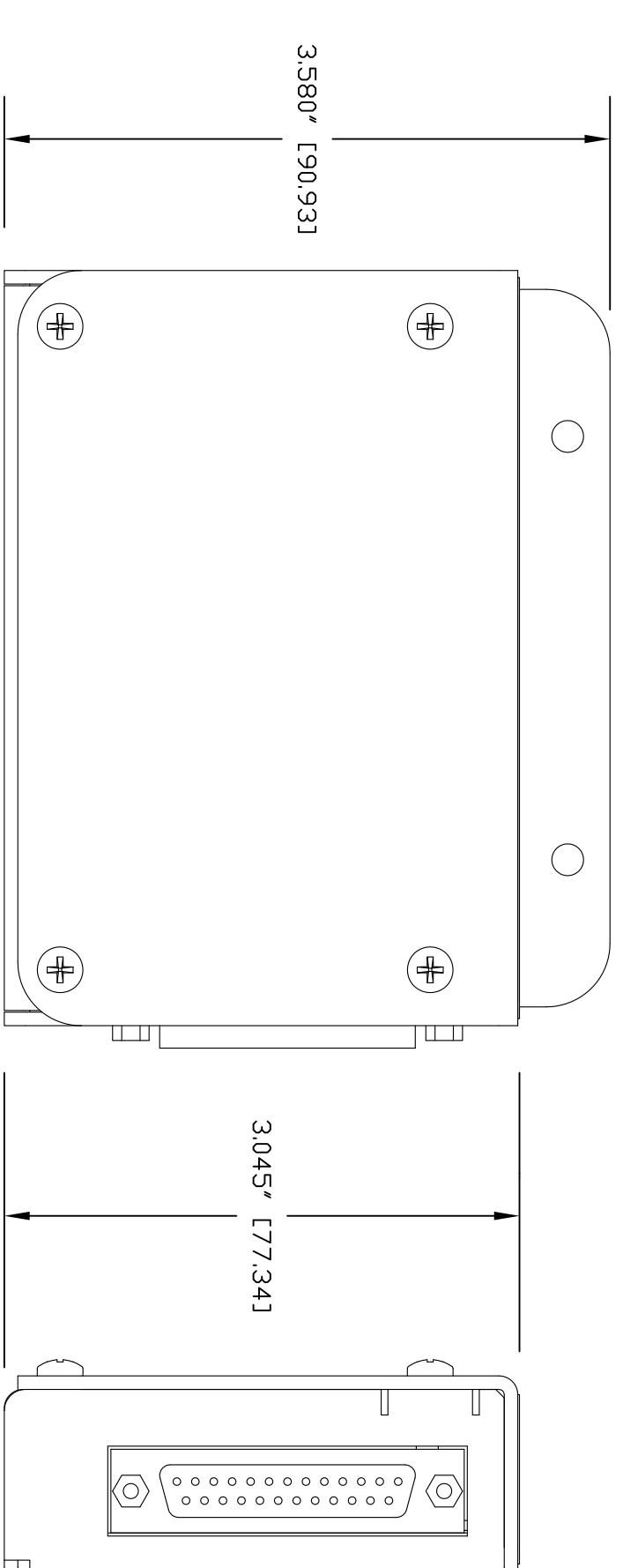
18.930" [480.821] 1.720" [43.691]

# EZIM CCU

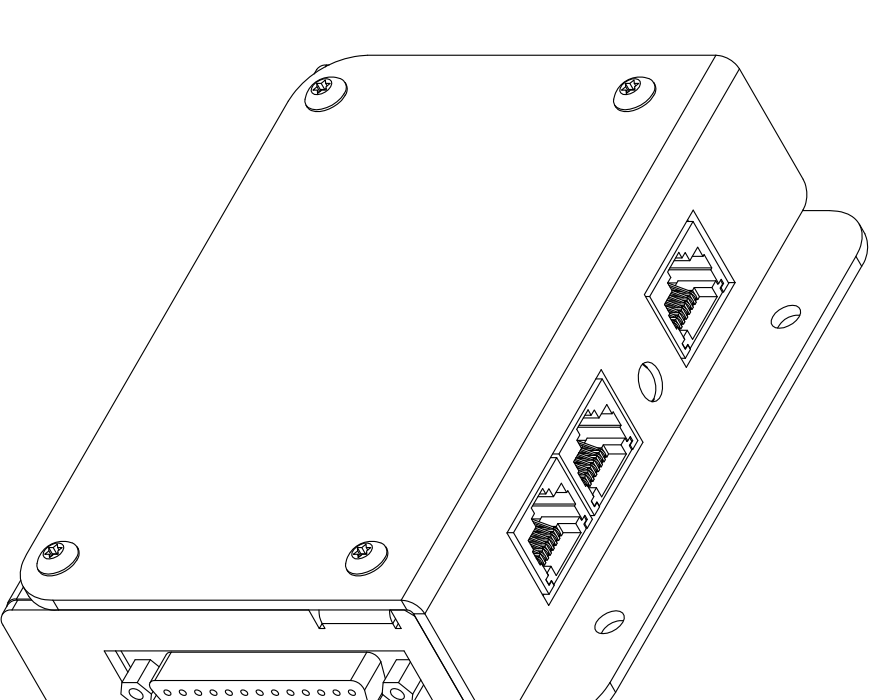
TOP VIEW



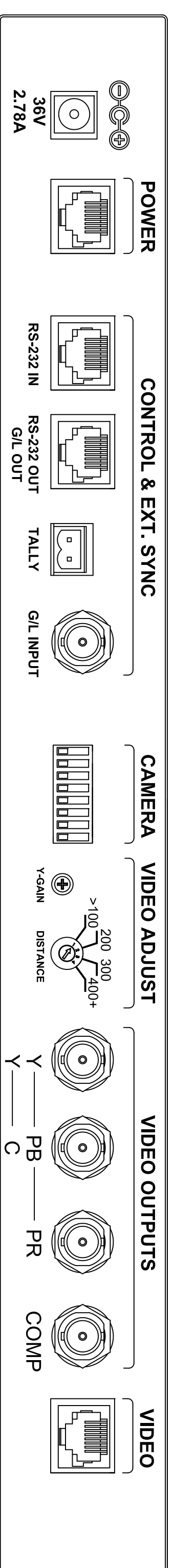
FRONT VIEW



ISO VIEW



REAR VIEW  
ALL MODELS



**Touchboards**

205 Westwood Ave, Long Branch, NJ 07740  
Phone: 866-94 BOARDS (26273) / (732)-222-1511  
Fax: (732)-222-7088 | E-mail: sales@touchboards.com

**vaddio**

Quick-Connect CCU Series & EZIM CCU

FDR Vaddio HD-18, Panasonic AW-HE100, Sony BRC-H700,  
BRC-Z700, BRC-300, BRC-Z330, EVI-HD1, PTZ CAMERAS

DATE 02/04/10

SCALE 1:1 DRAWING No. 1105-011 REV A

GENERAL NOTES: DIMENSIONS ARE IN INCHES (UNLESS OTHERWISE NOTED)  
DRAWING IS THE PROPERTY OF VADDIO INC. ALL RIGHTS RESERVED. COPYRIGHT © 2008  
THIS DRAWING, INCLUDING ALL SUBJECT MATTERS INDICATED THEREON OR DERIVED THEREFROM,  
IS THE PROPERTY OF VADDIO INC. AND IS THE EXPRESS PROPERTY OF VADDIO.  
ALL RIGHTS RESERVED. COPYRIGHT © 2008  
MATERIALS: CRG - BLACK POWDERCOAT  
COMMENTS: THERMAL DISPLACEMENT INHIBITORS - NOT INCLUDED