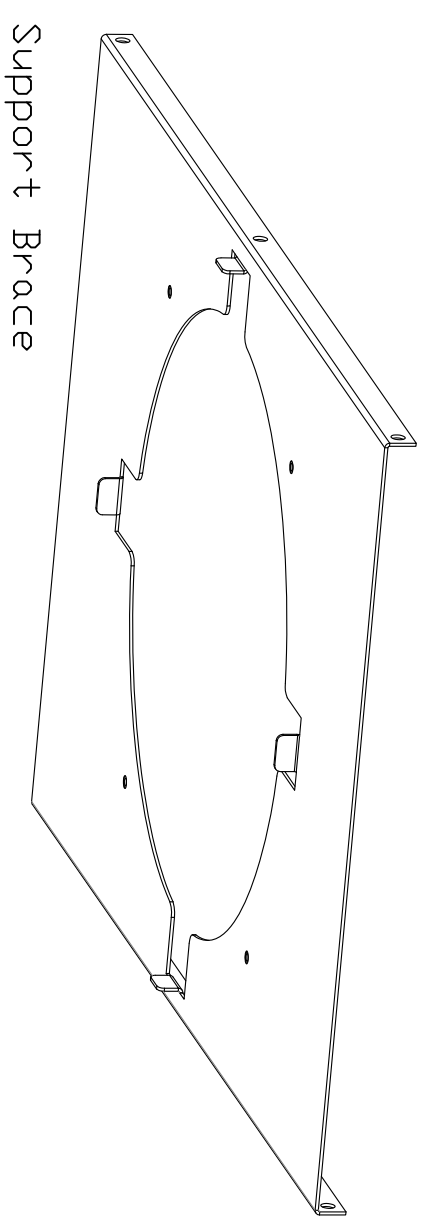
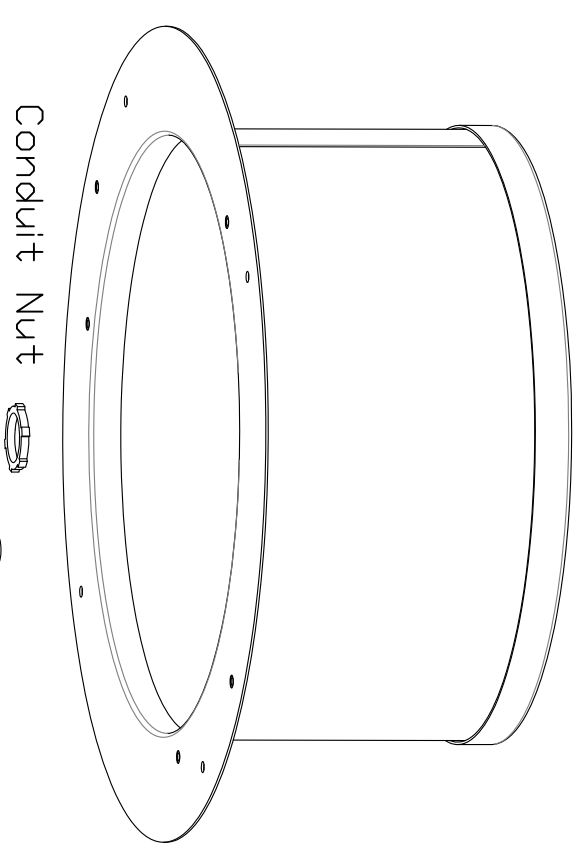


DomeVIEW HD Indoor Flush Mount
Dome - Explosion (no scale)



Tile Support Brace
Conduit Connector
Safety Hanger Plate

Metal Back Can



Conduit Nut
Six #10 Washers

Three 25' F to F Stand-offs

Three .75' M to F Stand-offs Use with HD-20

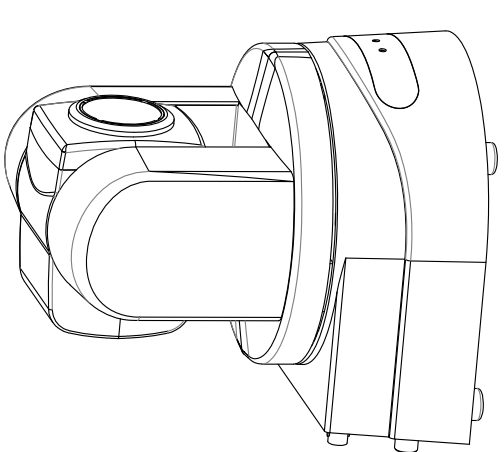
Four 10-32 x 1' Screws - Attach Back Can to Back Box

Two 1/4"-20x5/8" Screws Use Two 1/4"-20x3/8" HD-18 and HD-19 Screws for HD-20

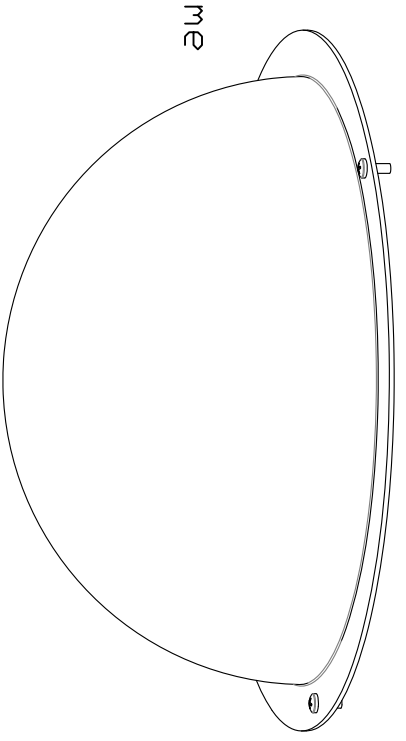
Universal Camera Platform

Three 10-32x1/2" Attach Platform to Stand-offs

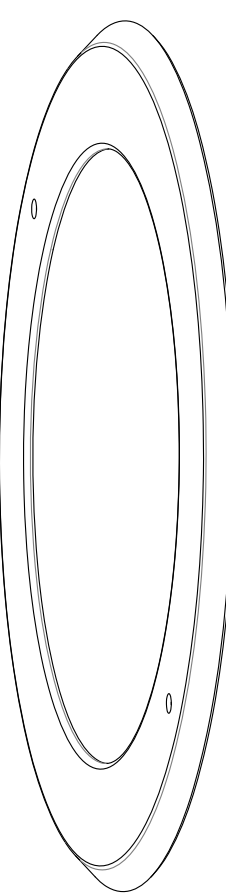
HD-20, HD-19 or HD20 PTZ Camera System



12" Clear Dome



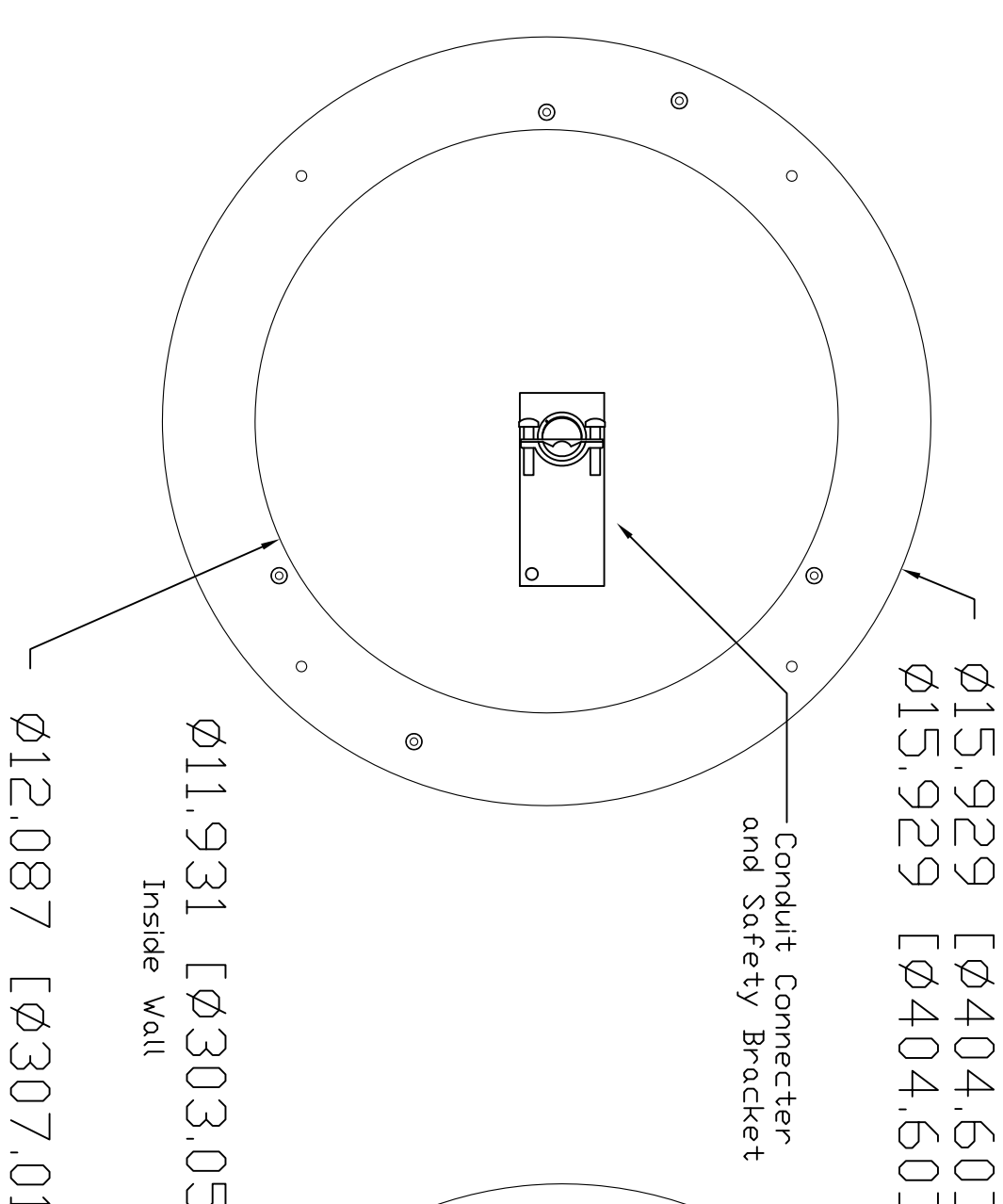
White Trim Ring and White Screws



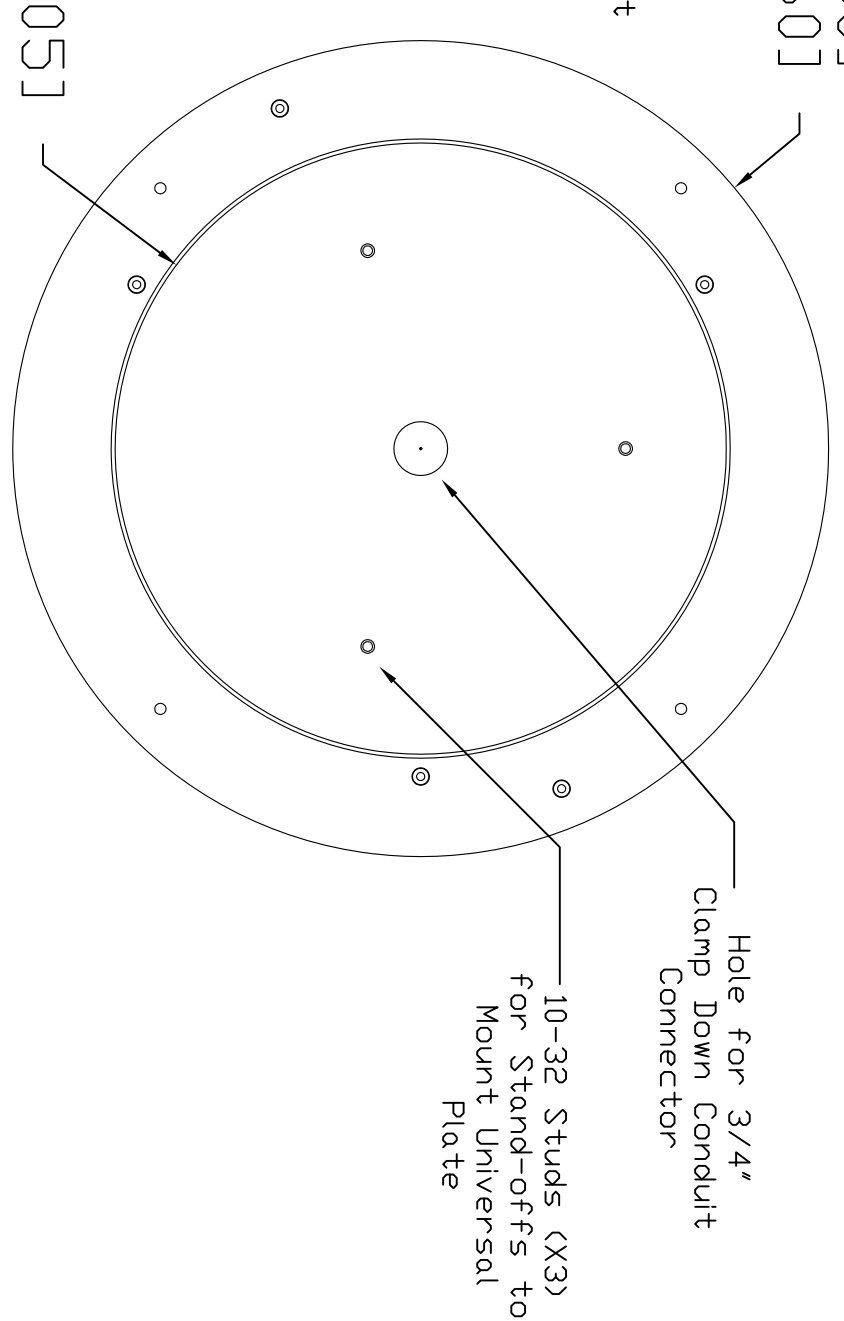
Touchboards

205 Westwood Ave, Long Branch, NJ 07740
Phone: 866-94 BOARDS (26273) / (732)-222-1511
Fax: (732)-222-7088 | E-mail: sales@touchboards.com

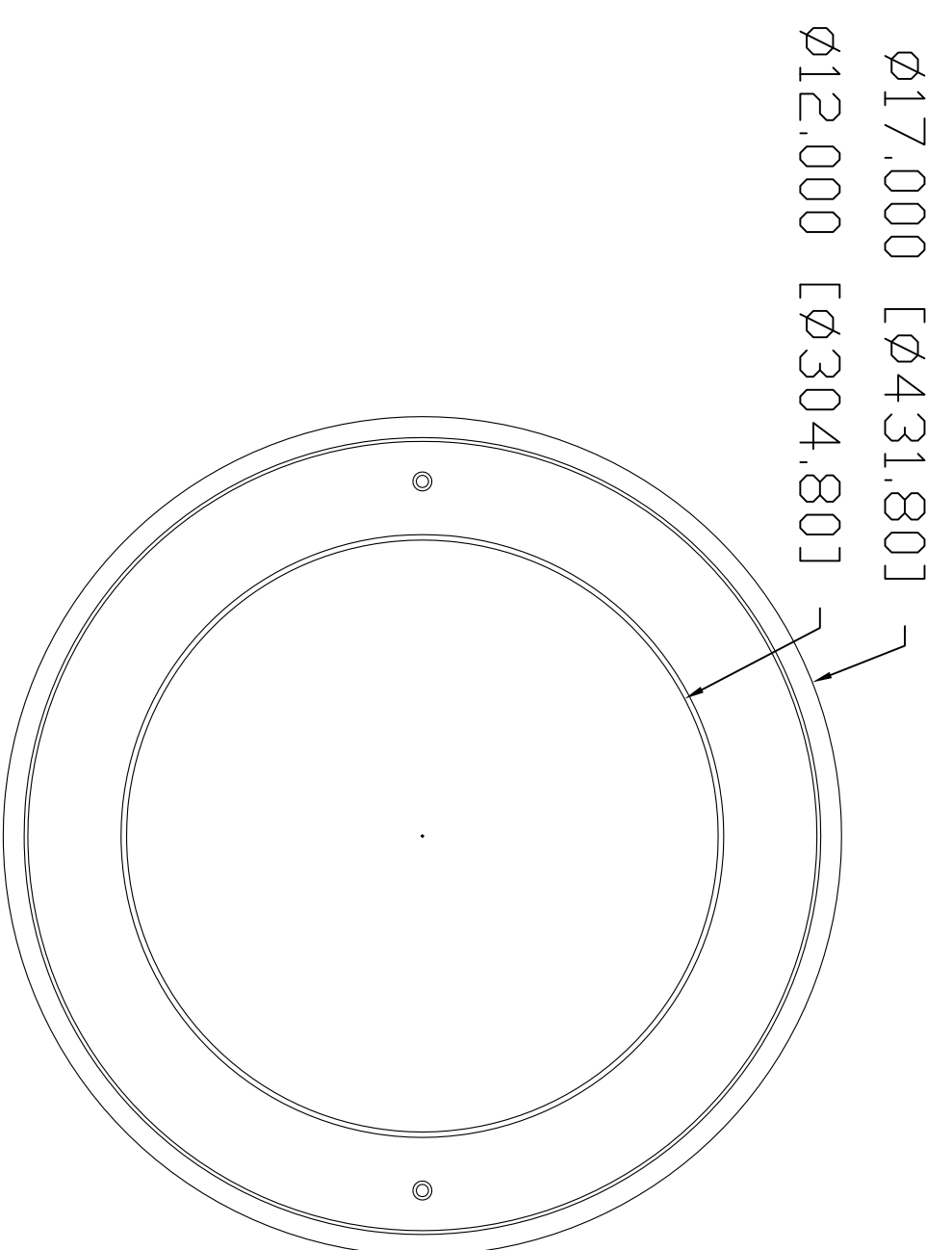
Metal Back Can
Rear View



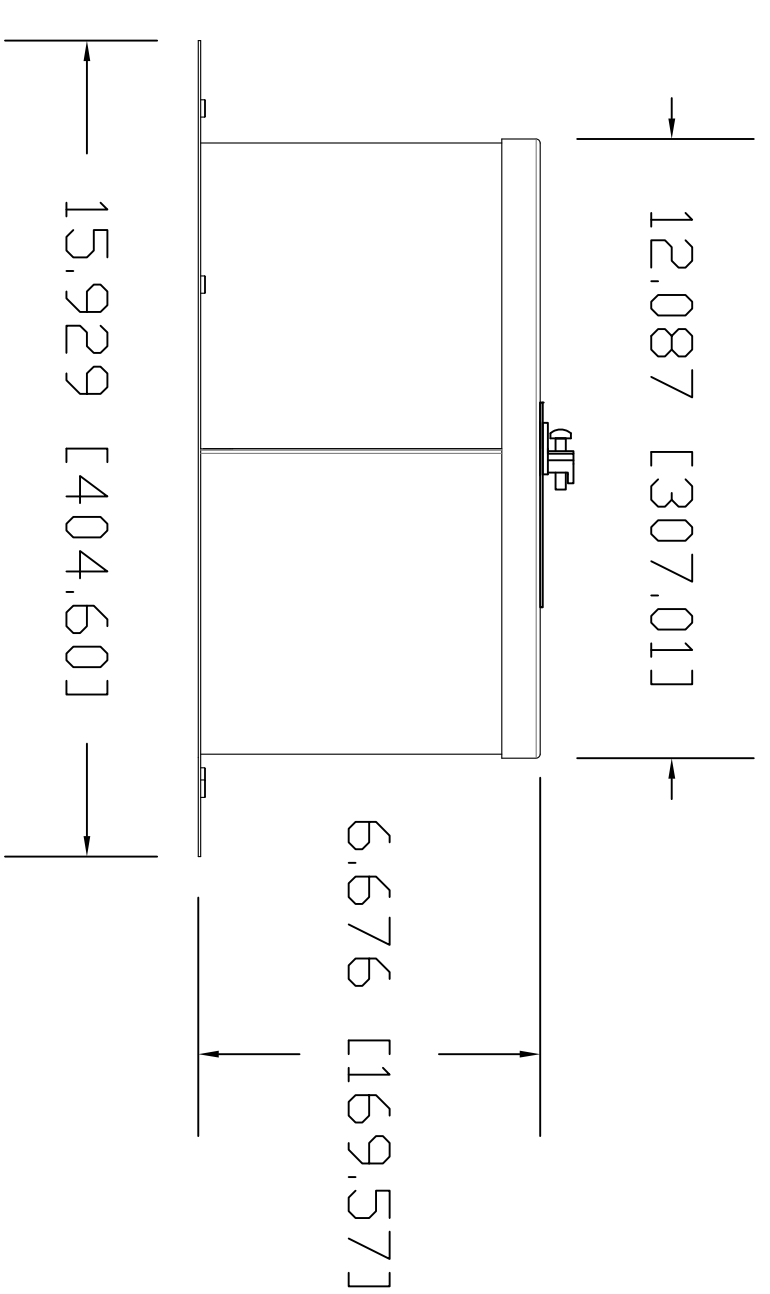
Metal Back Can
Front View -
Looking into Can



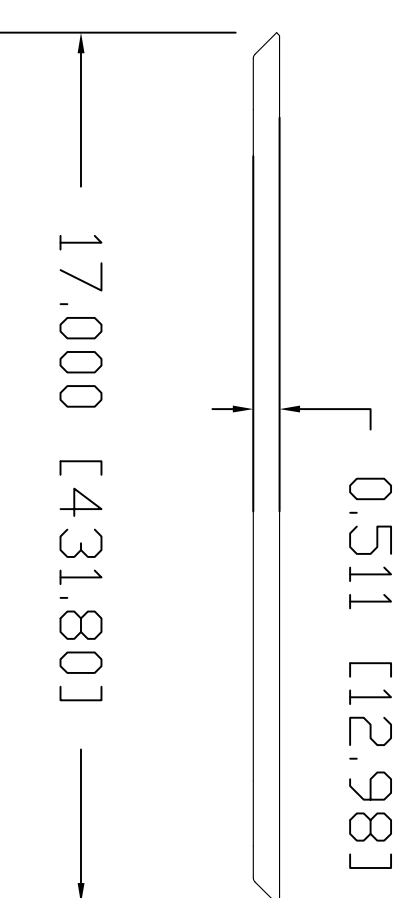
White Trim Ring
Side View



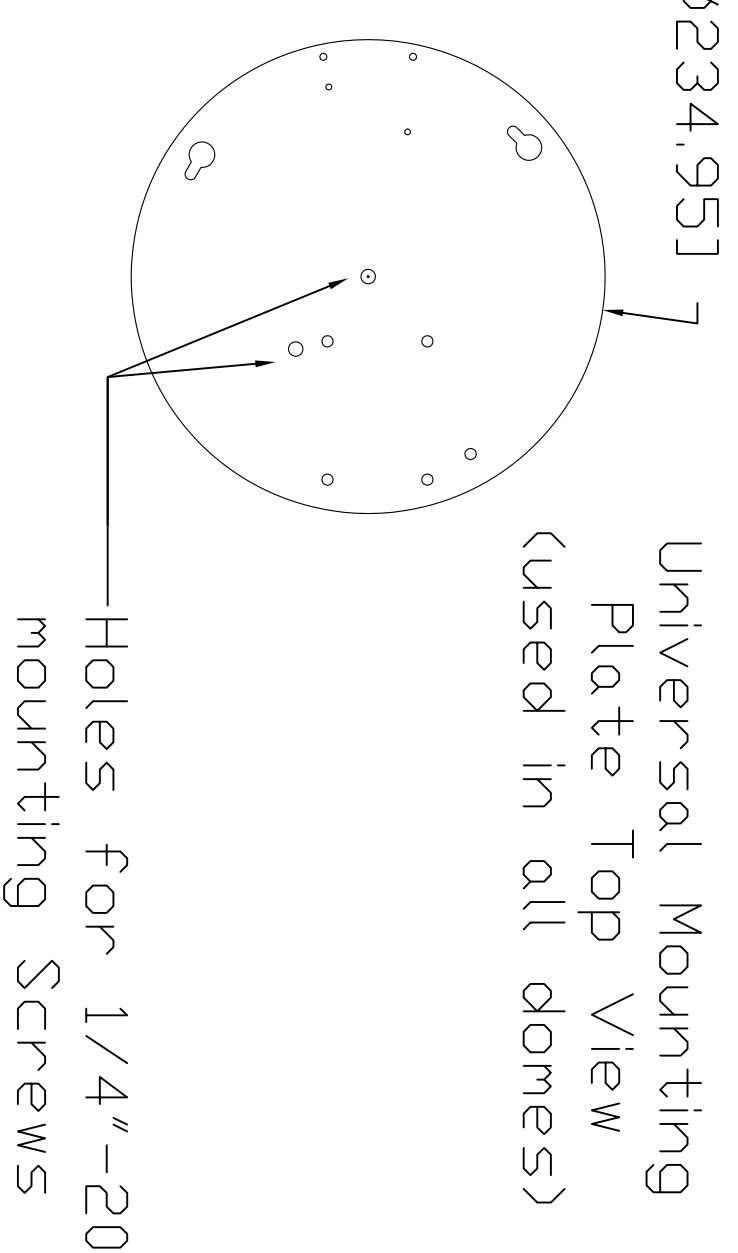
Metal Back Can
Side View



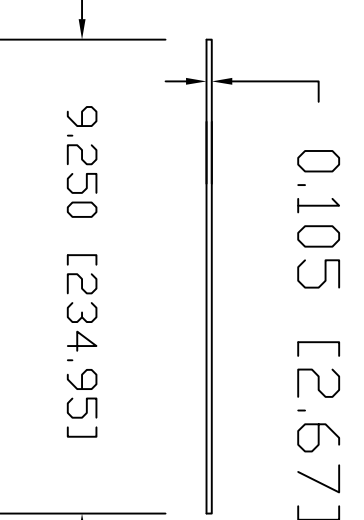
White Trim Ring
Side View



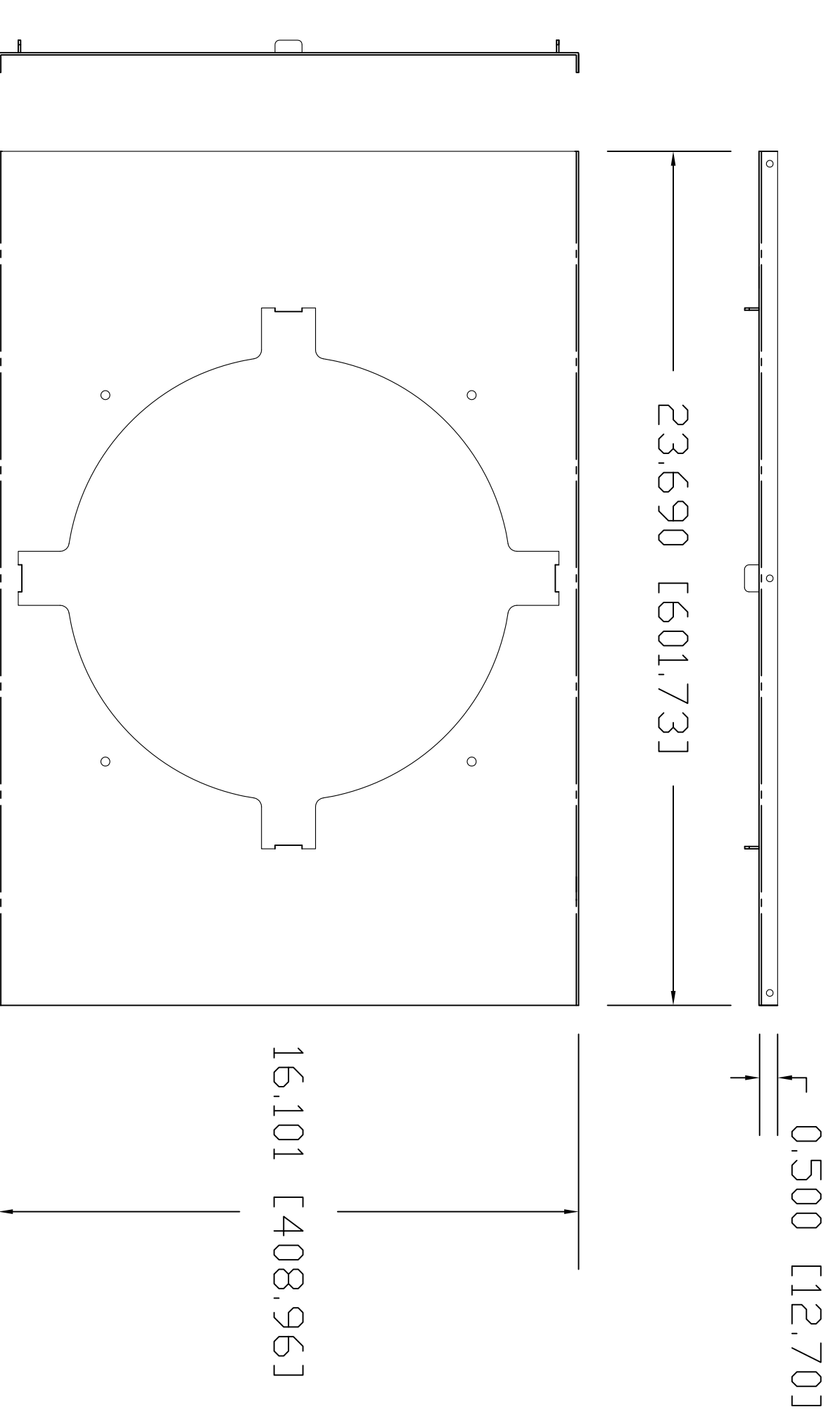
Universal Mounting
Plate Top View
(used in all domes)



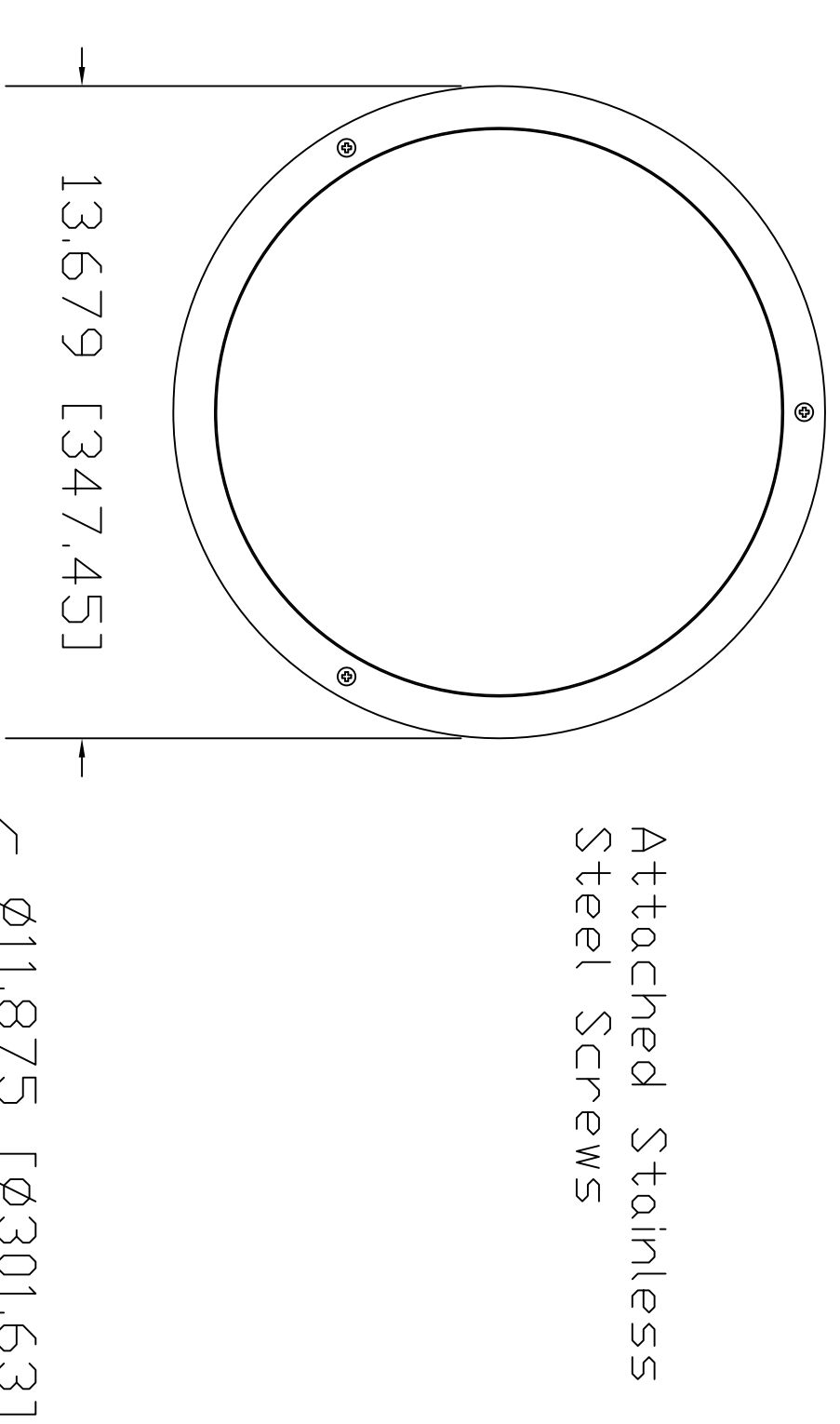
Universal Mounting
Plate Side View



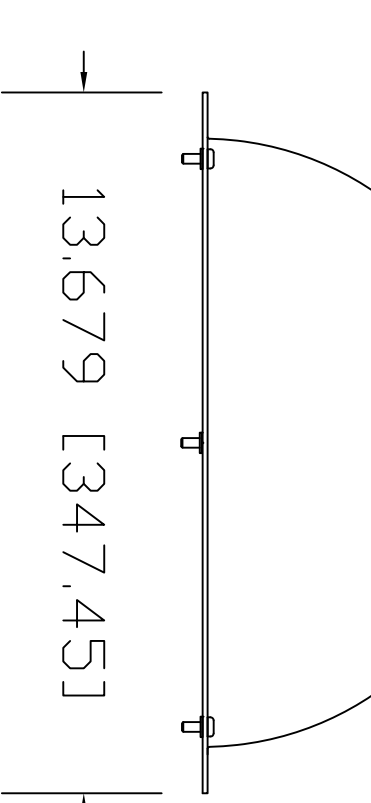
Tile Support Brace
Side and Top Views



12" Optical Grade Dome Top View



12" Dome
Side View



vaddio

GENERAL NOTES: IN ORDER TO PREVENT UNLAWFUL REPRODUCTION, THIS DRAWING IS THE PROPERTY OF VADDIO. IT IS TO BE USED ONLY FOR THE PROJECT AND SITE SPECIFICALLY IDENTIFIED HEREIN. ALL RIGHTS RESERVED. © VADDIO 2008.

998-9000-200 DomeVIEW HD Indoor Flush Mount Dome

FDR HD-18, HD-19 and HD-20 Vaddio PTZ Cameras

DRAWN	CHECKED	APPROVED	DATE
RAR		RAR	05/24/11

THIS DRAWING INCLUDING ALL SUBJECT MATTERS INDICATED THEREON OR BEING THEREON, IS THE PROPERTY OF VADDIO. IT IS TO BE USED ONLY FOR THE PROJECT AND SITE SPECIFICALLY IDENTIFIED HEREIN. ALL RIGHTS RESERVED. © VADDIO 2008.

MATERIALS: CRS SHI, Various Gauge
BLACK POWDERCOAT - FCN 866-394

COMMENTS: Surface Finishing Coatings Spec - NOT INCLUDED

SCALE	DRAWING NO.	REV
1:4	9000-200	A