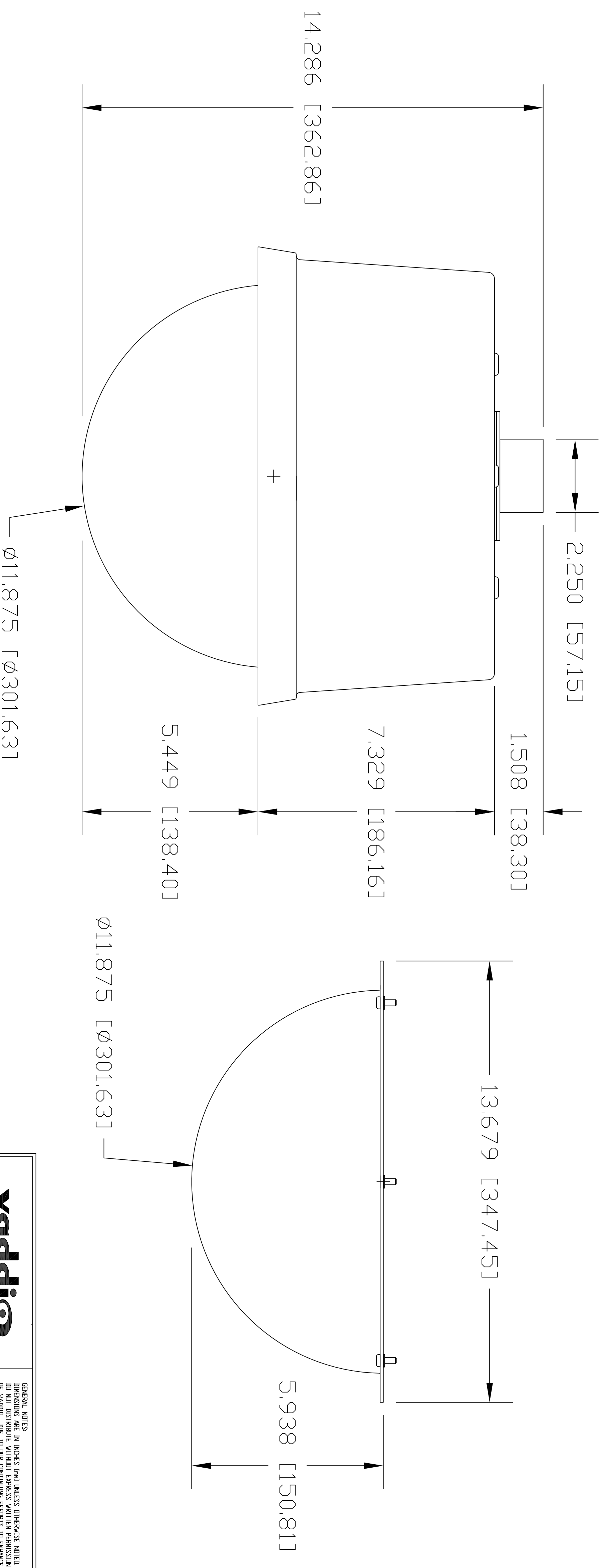
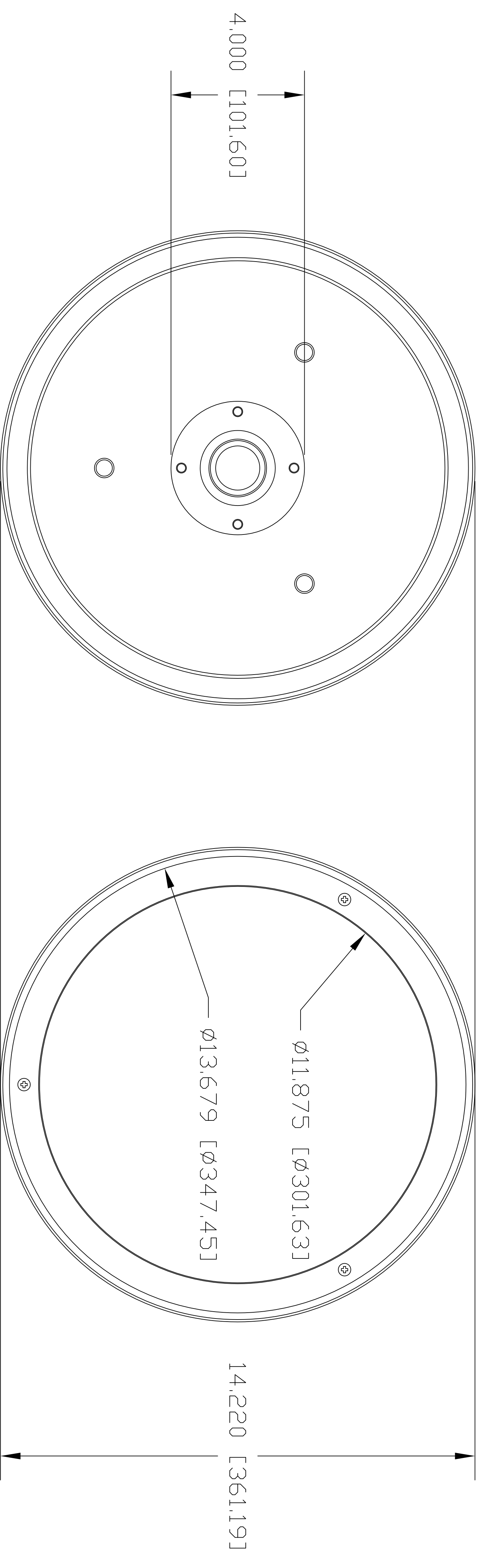
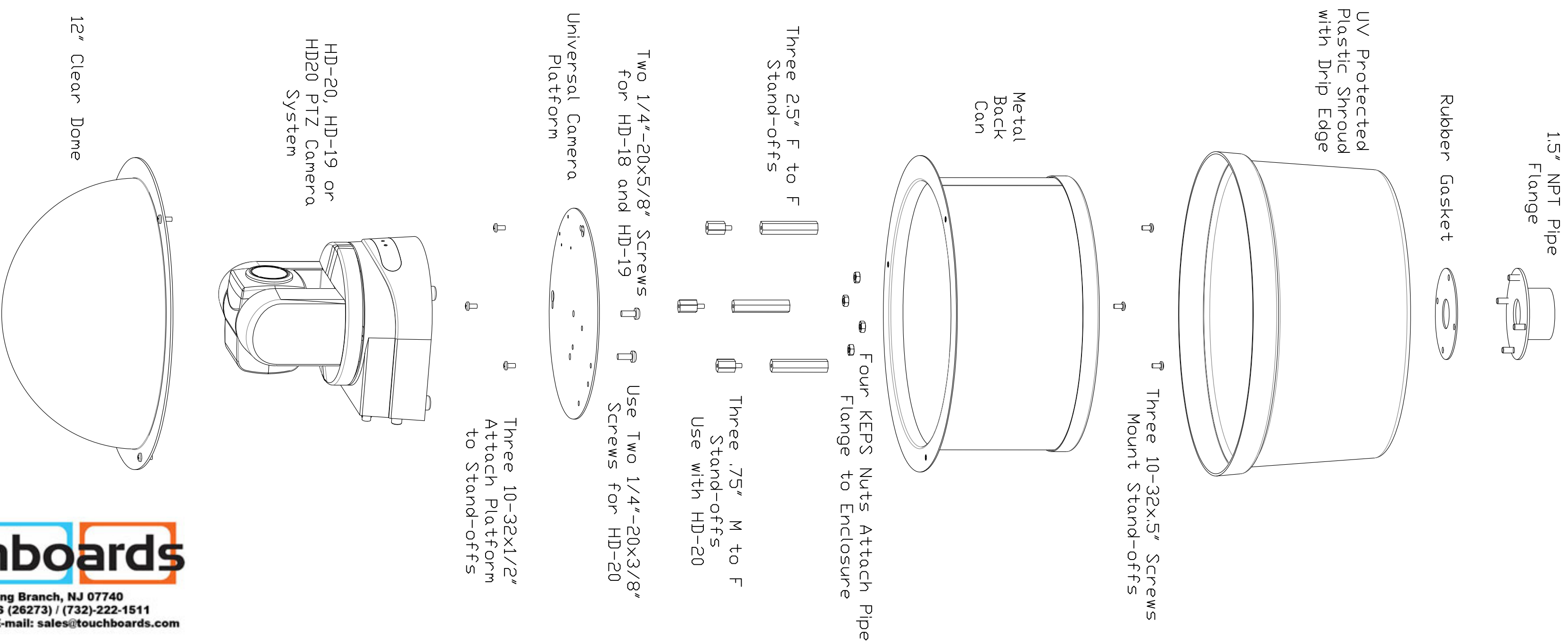
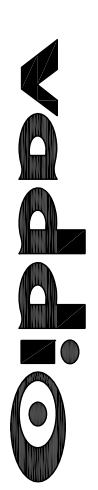


DomeVIEW HD Indoor Pendant Mount Dome - Explosion (no scale)



205 Westwood Ave, Long Branch, NJ 07740  
 Phone: 866-94 BOARDS (26273) / (732)-222-1511  
 Fax: (732)-222-7088 | E-mail: sales@touchboards.com



GENERAL NOTES:  
 DIMENSIONS ARE IN INCHES (AND UNLESS OTHERWISE NOTED,  
 DO NOT DISTURB) WITHOUT EXPRESS WRITTEN PERMISSION  
 OR PRODUCTS. RESERVE THE RIGHT TO CHANGE ENHANCE  
 SPECIFICATIONS WITHOUT PRIOR NOTICE OR OBLIGATION.

998-9100-200 DomeVIEW HD Indoor Pendant Mount Dome			
FOR HD-18, HD-19 and HD-20 Vaddio PTZ Cameras			
DRAWN	CHECKED	APPROVED	DATE
RAR		RAR	05/24/11
THIS DRAWING, INCLUDING ALL SUBJECT MATTERS INDICATED THEREON OR DERIVED THEREFROM, COMPRISES PROPRIETARY INFORMATION AND IS THE EXPRESS PROPERTY OF VADDIO. All Rights Reserved - Copyright 2008			
MATERIALS: CCS SHT, Various Gauges		SCALE: 1:2	
BLACK POWDERCOAT - R04 886-94		DRAWING NO.: 9100-200	
COMMENTS: Thermal Package Cat (TPO) - NOT INCLUDED			REV: A