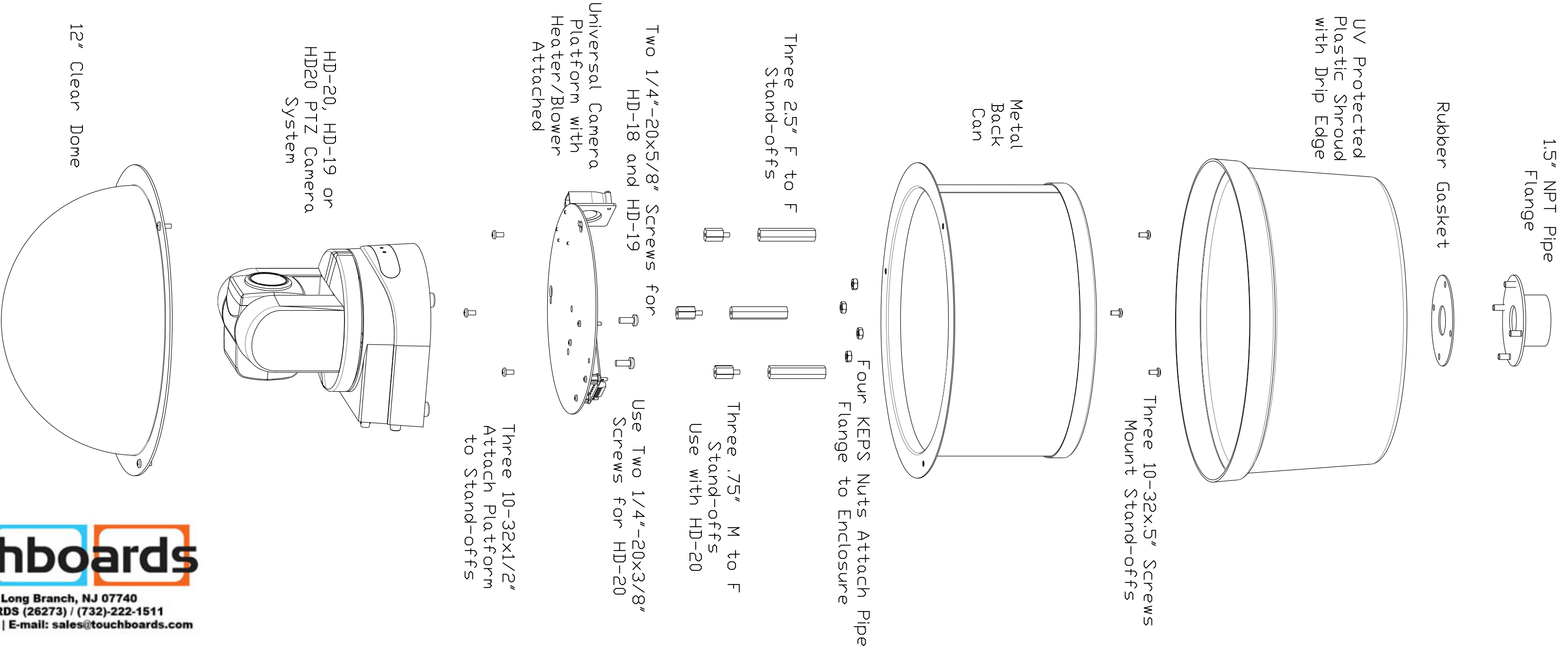
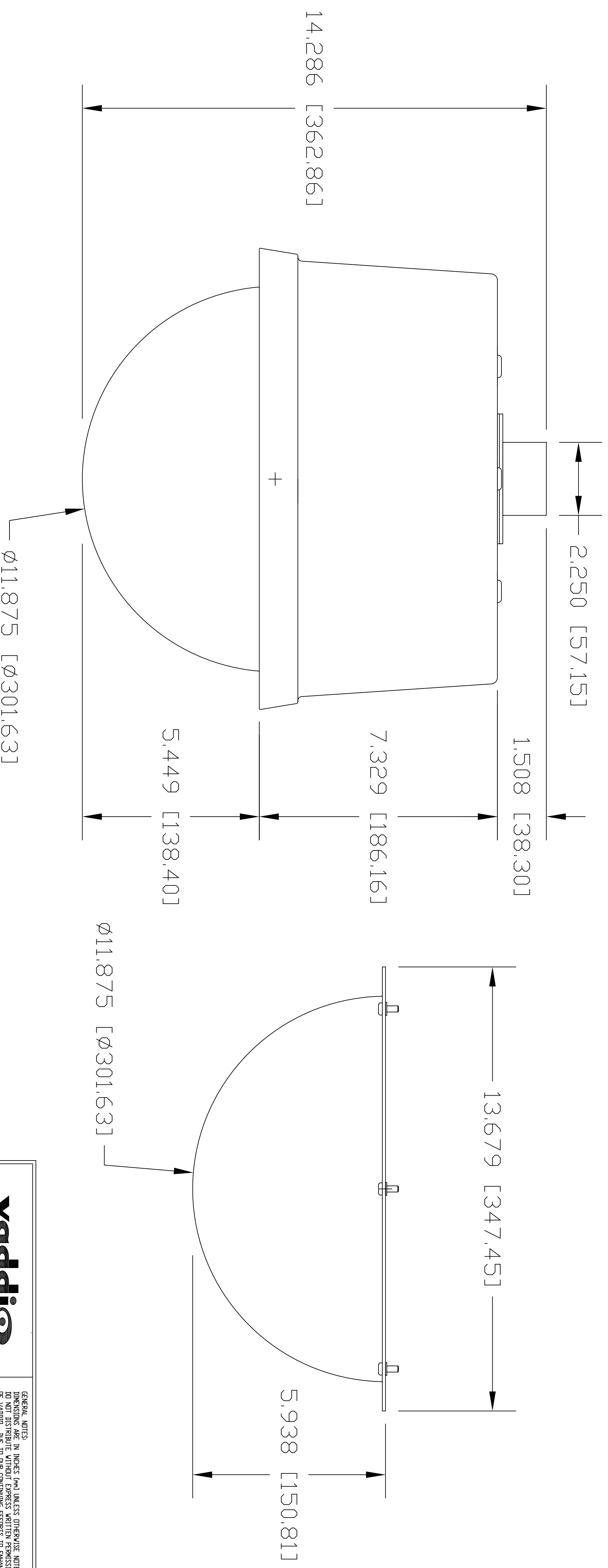
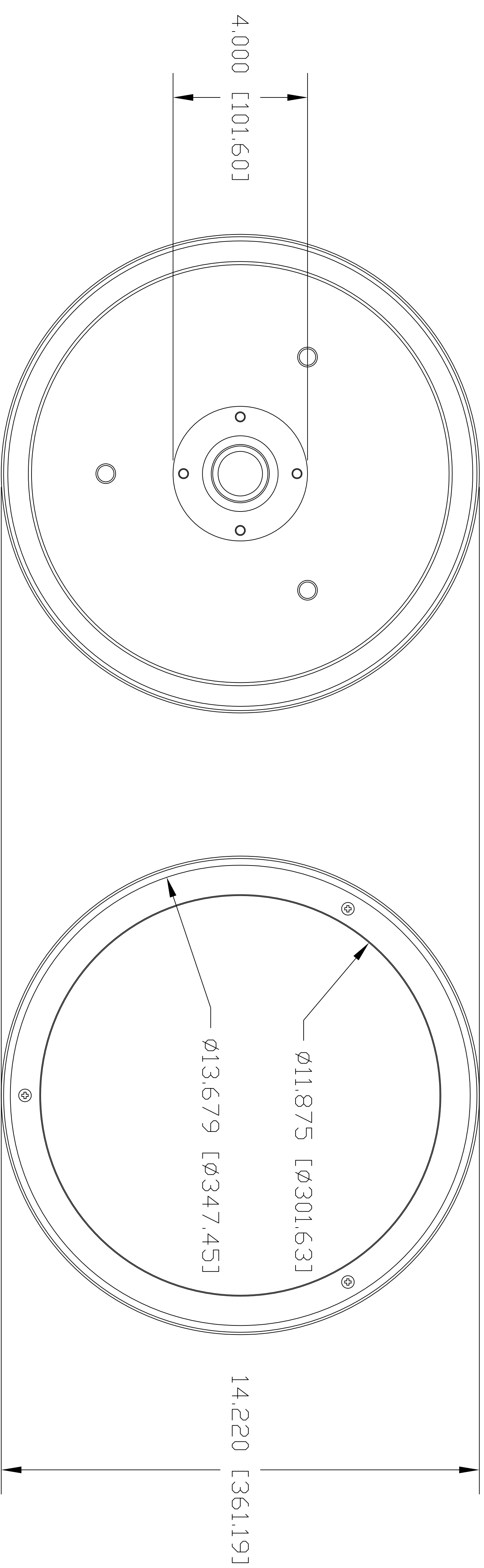


DomeVIEW HD Indoor Pendant Mount Dome - Explosion (no scale)



Touchboards
 205 Westwood Ave, Long Branch, NJ 07740
 Phone: 866-94 BOARDS (26273) / (732)-222-1511
 Fax: (732)-222-7088 | E-mail: sales@touchboards.com



vaddio		GENERAL NOTES: DIMENSIONS ARE IN INCHES UNLESS OTHERWISE NOTED. DIMENSIONS ARE TO CENTER UNLESS OTHERWISE NOTED. DIMENSIONS ARE TO CENTER UNLESS OTHERWISE NOTED. DIMENSIONS ARE TO CENTER UNLESS OTHERWISE NOTED. DIMENSIONS ARE TO CENTER UNLESS OTHERWISE NOTED.	
998-9200-200 DomeVIEW HD Outdoor Weather-Resistant Pendant Mount Dome			
FOR HD-18, HD-19 and HD-20 Vaddio PTZ Cameras			
DRAWN	CHECKED	APPROVED	DATE
RAR	RAR	RAR	05/24/11
THIS DRAWING, INCLUDING ALL SUBJECT MATTERS INDICATED THEREON OR DERIVED THEREFROM, IS THE PROPERTY OF VADDIO. ALL RIGHTS RESERVED. NO PART OF THIS DRAWING IS TO BE REPRODUCED OR TRANSMITTED IN ANY FORM OR BY ANY MEANS, ELECTRONIC OR MECHANICAL, WITHOUT PRIOR WRITTEN PERMISSION FROM VADDIO.			
TOLERANCES - CAST PART	VARIABLE GAUGE	SCALE	DRAWING NO.
BLACK POWDERCOAT - RFI 866-94		1:2	9200-200
COMMENTS	Material Conversion Indicator (MCI) - NOT INCLUDED	SIZE	REV
		D	A