



AUTOVIEW IR SENSOR KIT

Single Ceiling Mounted Active IR Sensor with AutoVIEW IR Control Interface and Power Supply

P/N: 999-1701-100 North America
999-1701-101 International



Touchboards

205 Westwood Ave, Long Branch, NJ 07740
Phone: 866-94 BOARDS (26273) / (732)-222-1511
Fax: (732)-222-7088 | E-mail: sales@touchboards.com



Inside Front Cover - Blank

AutoVIEW™ IR Sensor Kit

Single Ceiling Mounted Active IR Sensor with AutoVIEW IR Control Interface and Power Supply

P/N: 999-1701-100 North America, 999-1701-101 Int'l

The Vaddio™ AutoVIEW IR Sensor Kit is a ceiling mounted presenter camera control system that provides for automated presenter control over the Vaddio family of camera switching systems.

The Vaddio AutoVIEW IR Sensor Kit includes the ceiling mounted active IR sensor with dark acrylic lens, the AutoVIEW IR Control Interface and 18 VDC power supply with power cord. This AutoVIEW IR Kit is compatible with the following Vaddio automated presenter controlled switchers and controllers;

- ControlVIEW XHD
- AutoPresenter
- Hot-Shot Preset Camera Controller (for select Polycom, Cisco/TANDBERG and Life Size codecs)
- ProductionVIEW series of video consoles including the FX, HD, HD-SDI, HD MV and HD-SDI MV



Figure 1: The AutoVIEW IR Sensor, AutoVIEW IR (AIR) Control Interface and 24 VDC Power Supply shown above

The AutoVIEW IR Sensor Kit provides a simple contact closure to trigger any camera preset or video input switch that these controllers and switchers can provide. The AutoVIEW IR Control Interface powers the IR Sensor via the Cat-5e cable. When the IR sensor picks up the presenter passing under the sensor, a contact pair is relayed down the Cat-5e through the AIR Box out of the Phoenix connector to the trigger input of the AutoPresenter. The trigger will change the input and/or the camera's PTZ position allowing for automated presenter camera control.

Intended Use:

Before operating the device, please read the entire manual thoroughly. The system was designed, built and tested for use indoors, and with the provided power supply and cabling. The use of a power supply other than the one provided or outdoor operation has not been tested and could damage the device and/or create a potentially unsafe operating condition.

Important Safeguards:

Read and understand all instructions before using. Do not operate any device if it has been dropped or damaged. In this case, a Vaddio technician must examine the product before operating. To reduce the risk of electric shock, do not immerse in water or other liquids and avoid extremely humid conditions.



Use only the power supply provided with the system. Use of any unauthorized power supply will void any and all warranties.



Please do not use "pass-thru" type RJ-45 connectors. These pass-thru type connectors do not work well for professional installations and can be the cause of intermittent connections which can result in the RS-232 control line failing and locking up, and/or compromising the HSDS™ signals. For best results please use standard RJ-45 connectors and test all cables for proper pin-outs prior to use and connection to Vaddio product.

Save These Instructions:

The information contained in this manual will help you install and operate your product. If these instructions are misplaced, Vaddio keeps copies of Specifications, Installation and User Guides and most pertinent product drawings for the Vaddio product line on the Vaddio website. These documents can be downloaded from www.vaddio.com free of charge.

Unpacking:

Carefully remove the device and all of the parts from the packaging. Unpack and identify the following parts:

- One (1) AutoVIEW Active IR Sensor (modified Optex with RJ-45 connector to support Cat-5e cabling)
- One (1) Dark Acrylic Lens Cover
- One (1) AutoVIEW Control Interface with 2-pin Phoenix type connector
- One (1) 18VDC, 2.75 Amp Switching Power Supply
- One (1) Power Cord (International version ships with UK and Euro power cables)

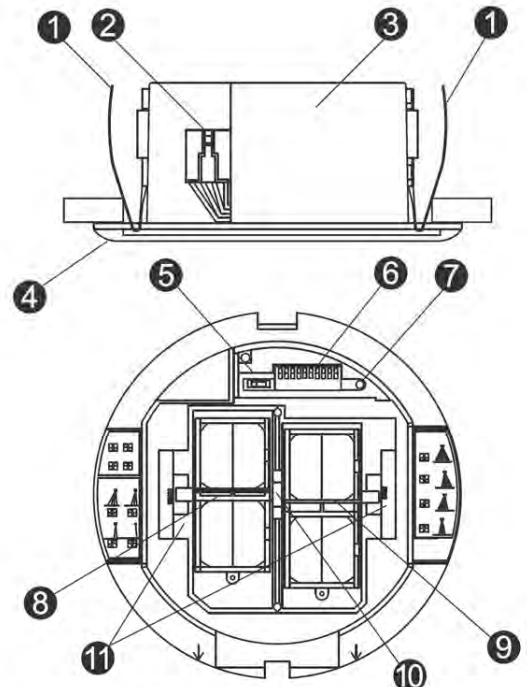
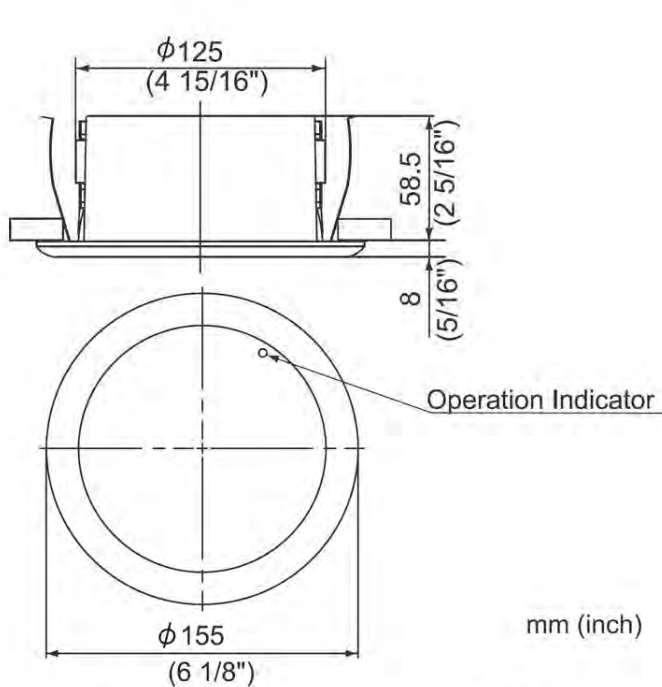
Installation:

Installation of the AutoVIEW IR Presenter Camera Control System is as unique as it is simple. With any Vaddio product, understanding the key system components is essential.

IR Sensors:

The Optex OA-70CS sensors provided with the AutoVIEW IR Sensor Kit are active infrared sensors using near infrared reflection to actively sense the presence of something or someone within the sensing zone. Much like automatic door sensors for grocery or department stores, the sensors detect the presence of a person within a zone which can be tuned for the specific environment in which it operates. The Optex owner’s manual provided with each sensor details the installation and proper adjustment of the sensor.

AutoVIEW IR Sensor Dimensions and Features:

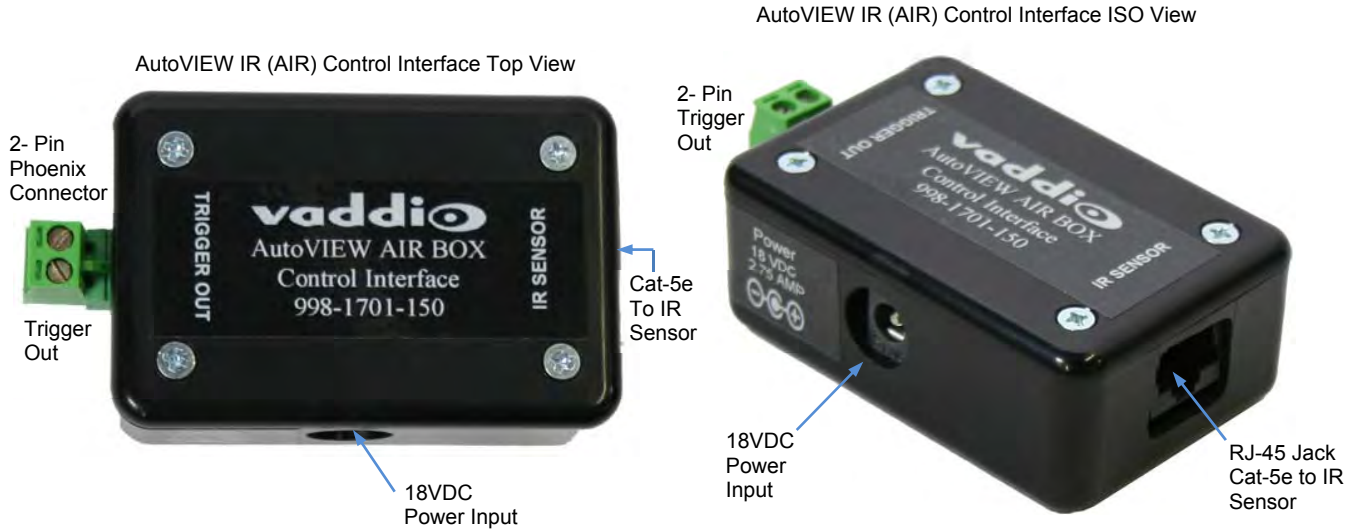


mm (inch)

- | | | | |
|-------------------------------|--------------------------|--------------------------------------|---------------------------------------|
| 1 Mounting Clips | 4 Cover | 7 Operation Indicator | 10 4-Row Simultaneous Adjustment Clip |
| 2 Connector Modified to RJ-45 | 5 Mounting Height Switch | 8 Depth Adjustment (1st and 2nd Row) | 11 Width Adjustment |
| 3 Sensor | 6 Dipswitches | 9 Depth Adjustment (3rd and 4th Row) | |

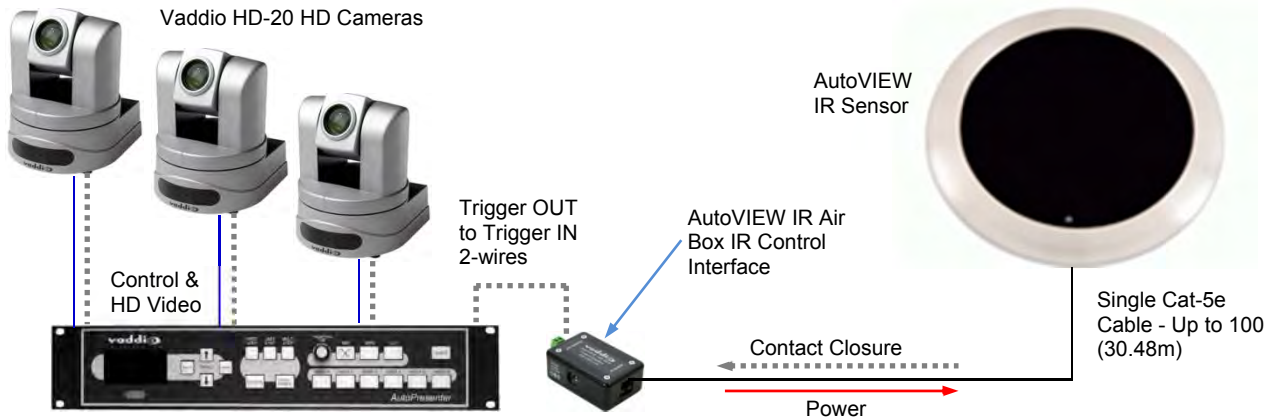
The AutoVIEW IR Control Interface:

The AutoVIEW IR (AIR Box) Control interface supplies power the IR Sensor and returns a closure pair (short to ground) to the TRIGGER OUT which can be connected into any Vaddio or other device with a trigger input. The plastic box for the control interface is approximately 3" (76.2mm) W x 2" (50.8mm) H x 1" (25.4mm) D and have the following attributes:



Basic System Configuration

Single IR Sensor Detects Presenter within the IR Zone and provides a trigger output to the AutoPresenter to change the camera and PTZ position preset.



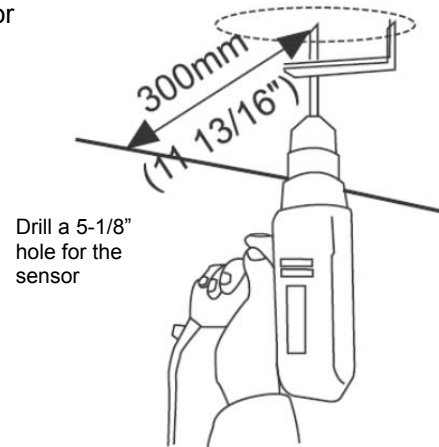
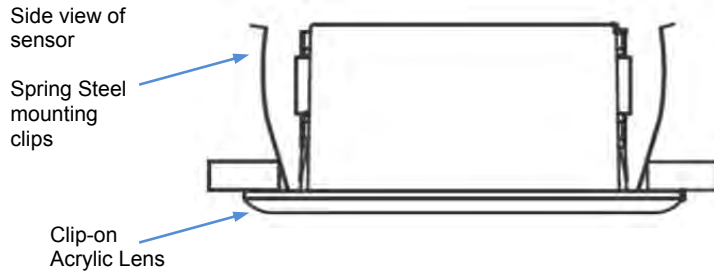
- AutoPresenter
Also works with:
- ControlVIEW XHD
 - Hot-Shot Camera Preset Controller for Select Polycom, LifeSize and Cisco/Tandberg Codecs
 - ProductionVIEW Series Seamless Switcher and Controllers
 - Any control system that can accept a short to ground trigger

Basic Installation

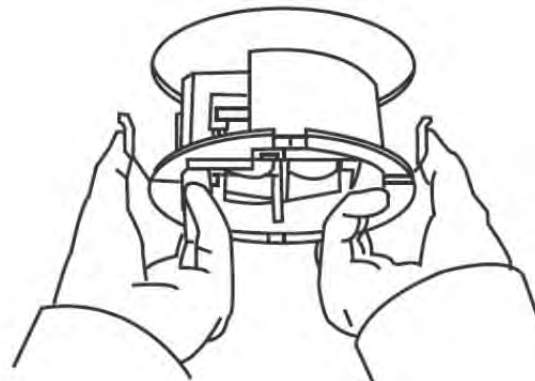
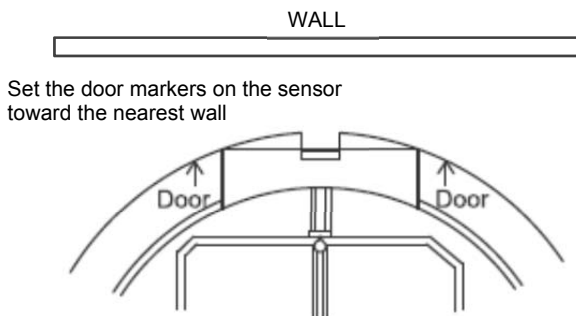
The AutoVIEW IR Sensor is a modified Optex Sensor usually used in automatic door systems.

- 1) Affix the mounting template to the sensor mounting position
- 2) Drill or cut a 5-1/8" (130mm) round mounting hole for the sensor

Recommended distance to the nearest wall is 11" (300mm).



- 3) Hold the sensor, keeping the door markers pointed toward the nearest wall.
- 4) Connect the Cat-5e cable.
- 5) Press the spring steel mounting clips against the side of the sensor and place sensor in the mounting hole. The spring steel clips will provide a tension fit. No tile race is needed.
- 6) Make sure that the door arrows point toward the nearest wall.
- 7) Adjust the sensor according to the Optex manual and click on the front acrylic lens cover.



- 8) Connect the Cat-5e cable from the AutoVIEW IR Sensor to the end of the AutoVIEW IR Control Interface clearly marked IR Sensor.
- 9) Connect to the 2-wire Trigger OUT on the AutoVIEW IR Control Interface to the Trigger IN that is to be controlled/activated with the sensor.
- 10) Test and adjust to requirements at the site.

Warranty Information:

(See Vaddio Warranty, Service and Return Policies posted on vaddio.com for complete details):

Hardware* Warranty: One year limited warranty on all parts. Vaddio warrants this product against defects in materials and workmanship for a period of one year from the day of purchase from Vaddio. If Vaddio receives notice of such defects during the warranty period, they will, at their option, repair or replace products that prove to be defective. Please see Vaddio's Service Terms and Conditions at vaddio.com for specific details and policies.

Exclusions: The above warranty shall not apply to defects resulting from: improper or inadequate maintenance by the customer, customer applied software or interfacing, unauthorized modifications or misuse, operation outside the normal environmental specifications for the product, use of the incorrect power supply, improper extension of the power supply cable or improper site operation and maintenance.

Vaddio Customer Service: Vaddio will test, repair, or replace the product or products without charge if the unit is under warranty and is found to be defective. If the product is out of warranty, Vaddio will test then repair the product or products. The cost of parts and labor charge will be estimated by a technician and confirmed by the customer prior to repair. All components must be returned for testing as a complete unit. Vaddio will not accept responsibility for shipment after it has left the premises.

Vaddio Technical Support: Vaddio technicians will determine and discuss with the customer the criteria for repair costs and/or replacement. Vaddio Technical Support can be contacted through one of the following resources: e-mail support at support@vaddio.com or online at www.vaddio.com.

Return Material Authorization (RMA) Number: Before returning a product for repair or replacement, request an RMA from Vaddio's technical support. Provide a technician with a return phone number, e-mail address, shipping address, and product serial numbers and describe the reason for repairs or returns as well as the date of purchase and proof of purchase. Include your assigned RMA number in all correspondence with Vaddio. Write your assigned RMA number on the shipping label of the box when returning the product. All products returned for credit are subject to a restocking charge without exception.

Voided Warranty: The warranty does not apply if the original serial number has been removed or if the product has been disassembled or damaged through misuse, accident, modifications, or unauthorized repair. Cutting the power supply cable on the secondary side (low voltage side) to extend the power to the device (camera or controller) voids the warranty for that device.

Shipping and Handling: Vaddio will not pay for inbound shipping transportation or insurance charges or accept any responsibility for laws and ordinances from inbound transit. Vaddio will pay for outbound shipping, transportation, and insurance charges for all items under warranty but will not assume responsibility for loss and/or damage by the outbound freight carrier.

• If the return shipment appears damaged, retain the original boxes and packing material for inspection by the carrier. Contact your carrier immediately.

Products Not Under Warranty: Payment arrangements are required before outbound shipment for all out of warranty products.

*Vaddio manufactures its hardware products from parts and components that are new or equivalent to new in accordance with industry standard practices.

Other General Information:

Care and Cleaning

Do not attempt to take this product apart at any time. There are no user-serviceable components inside.

- Do not spill liquids in the product
- Keep this device away from food and liquid
- For smears or smudges on the product, wipe with a clean, soft cloth
- Use a lens cleaner on the lens
- Do not use any abrasive chemicals.

Operating and Storage Conditions:

Do not store or operate the device under the following conditions:

- Temperatures above 40°C (104°F) or temperatures below 0°C (32°F)
- High humidity, condensing or wet environments
- In inclement weather
- In swimming pools, rainforests or volcanos
- Dry environments with an excess of static discharge
- In outer space (re-entry not recommended)
- Under severe vibration



205 Westwood Ave, Long Branch, NJ 07740
Phone: 866-94 BOARDS (26273) / (732)-222-1511
Fax: (732)-222-7088 | E-mail: sales@touchboards.com



9433 Science Center Drive, Minneapolis, MN 55428
Toll Free: 800-572-2011 ▪ Phone: 763-971-4400 ▪ FAX: 763-971-4464
www.vaddio.com