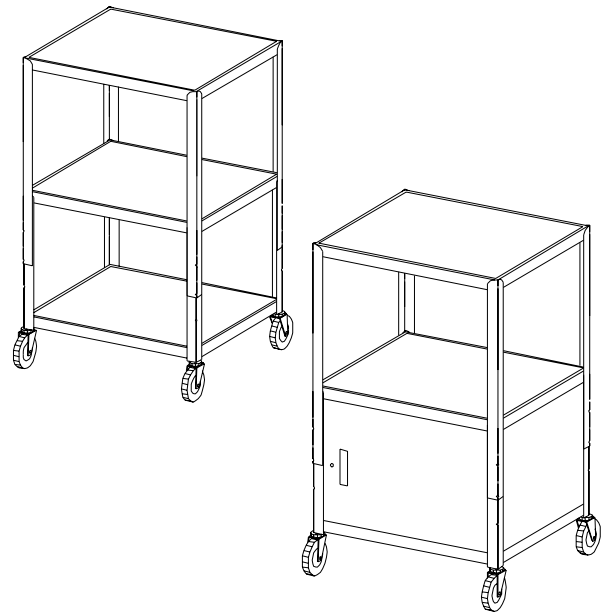


## A2642 CA2642 ADJUSTABLE CART ADJUSTABLE CABINET CART Assembly Instructions



### PARTS LIST

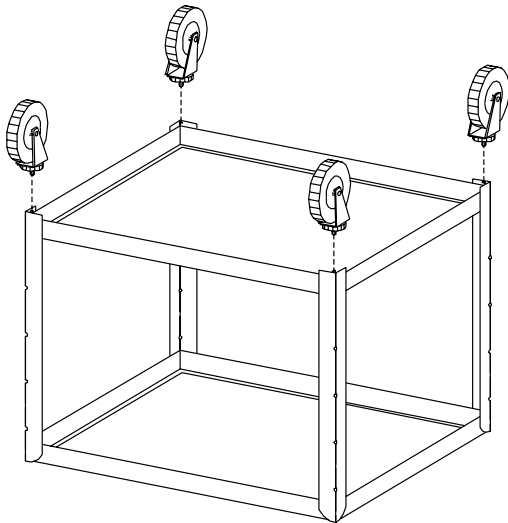
Qty	Part#	Description
1	022-1098	Top Section (A2642)
	022-1258	Top Section (CA2642)
1	022-1099	Bottom Section w/o Cabinet
	022-1252	Bottom Section w/ Cabinet
2	015-0002	4" Casters w/o Lock
2	015-0003	4" Casters w/ Lock

### HARDWARE LIST

Ref	Qty	Part#	Description
AA	4	030-0253	1/4-20 x 3/4" Combo Screws
BB	4	030-0120	1/4-20 Square Nuts

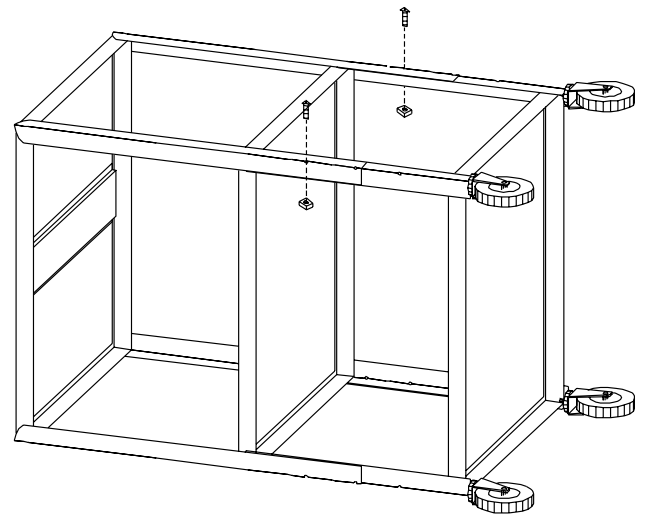
### TOOLS REQUIRED

Phillips Screwdriver  
Rubber Mallet



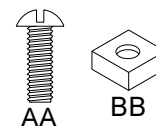
### STEP 1

Turn bottom base over and push each caster into the corner sockets. If casters do not insert easily, a rubber mallet may be used to tap casters into place. **MAKE SURE CASTERS ARE SECURELY IN PLACE.**



### STEP 2

Lay both top and bottom assemblies on their sides. Slide the top assembly over the bottom. Attach together using screws **(AA)** and nuts **(BB)** as shown. **NOTE:** Adjustments of the cart range from 26" to 42" at 4" increments.



**Bretford**  
11000 Seymour Avenue  
Franklin Park, IL 60131  
TEL: 847.678.2545  
800.521.9614  
FAX: 847.678.0852  
800.343.1779

**Bretford Ltd.**  
Technology House  
2 Etongate, 110 Windsor Road  
Slough, Berkshire SL1 2JA England  
TEL: 01753 53 99 55  
FAX: 01753 53 94 78