

ActivBoard 300 Mount System

INTERACTIVE WHITEBOARD SYSTEM

Product Specifications



205 Westwood Ave, Long Branch, NJ 07740
Phone: 866-94 BOARDS (26273) / (732)-222-1511
Fax: (732)-222-7088 | E-mail: sales@touchboards.com



ActivBoard 300 Mount System with PRM-30a or PRM-35 projector



ActivBoard 300 Mount System with EST-P1 projector

THIS DOCUMENT CONTAINS SPECIFICATIONS FOR

ActivBoard
Projector Mount
Projector

DESCRIPTION

The ActivBoard 300 with Single-User technology (optional Dual-User upgrade), ActivInspire Professional Edition and Promethean ActivOffice is available in 78", 87" and 95" versions. The Mount System includes a Cable Wall Box and choice of Extreme Short Throw or Short Throw projector.

SYSTEM OVERVIEW

Installation

ActivBoard Mount System is suitable for self-installation. Promethean recommends that all Mount Systems should be installed by a Certified Promethean Installer. Please visit www.PrometheanWorld.com/ActivCare/installation. The Projector Mount and the ActivBoard mount directly to the wall. Refer to the User Manual for guidelines on fixing points. Components supplied and minimum specifications stated have been tested and are required for optimal performance. Use of components not supplied by Promethean or not meeting minimum specifications may impact performance and affect warranty. Contact your Promethean partner or visit www.PrometheanKB.com for more information. Operation of the ActivBoard 300 requires installation of the driver included with the ActivInspire software and one open USB computer port. Specifications and access to ActivInspire software is available at www.PrometheanPlanet.com/ActivInspire. User with administrator/privileged access rights required to install driver and software

Warranty

For Promethean Warranty Information please visit: www.PrometheanWorld.com/ActivCare

Support

Online Support for all Promethean Products available from: www.PrometheanKB.com

Complete System Weight (approx.)

ActivBoard 378 Pro including;
PRM-30a Projector 96.8kg (213.2lb)
PRM-35 Projector 93.8kg (206.5lb)
ActivBoard 387 Pro including;
PRM-30a Projector 98.8kg (217.6lb)
PRM-35 Projector 95.8kg (211.0lb)
ActivBoard 395 Pro including;
PRM-30a Projector 101.8kg (224.2lb)
PRM-35 Projector 98.8kg (217.8lb)

ActivBoard 378 Pro including;
EST-P1 Projector 97.1kg (213.8lb)
ActivBoard 387 Pro including;
EST-P1 Projector 99.1kg (218.2lb)
ActivBoard 395 Pro including;
EST-P1 Projector 102.1kg (224.8lb)

ActivBoard Systems/Boards SS 11/11 V2.0 US



©2011 Promethean Limited. All rights reserved. Promethean Ltd. is owner of a number of trademarks in several jurisdictions across the world. Any third-party product and company names are mentioned for identification purposes only and may be trademarks of their respective owners. ¹Applicable Terms and Conditions for warranty and support available at www.PrometheanWorld.com/ActivCare. All dimensions +/- 5mm (0.2in). All weights +/- 0.9kg (2lb). Product Specifications are subject to change without notice. www.PrometheanWorld.com

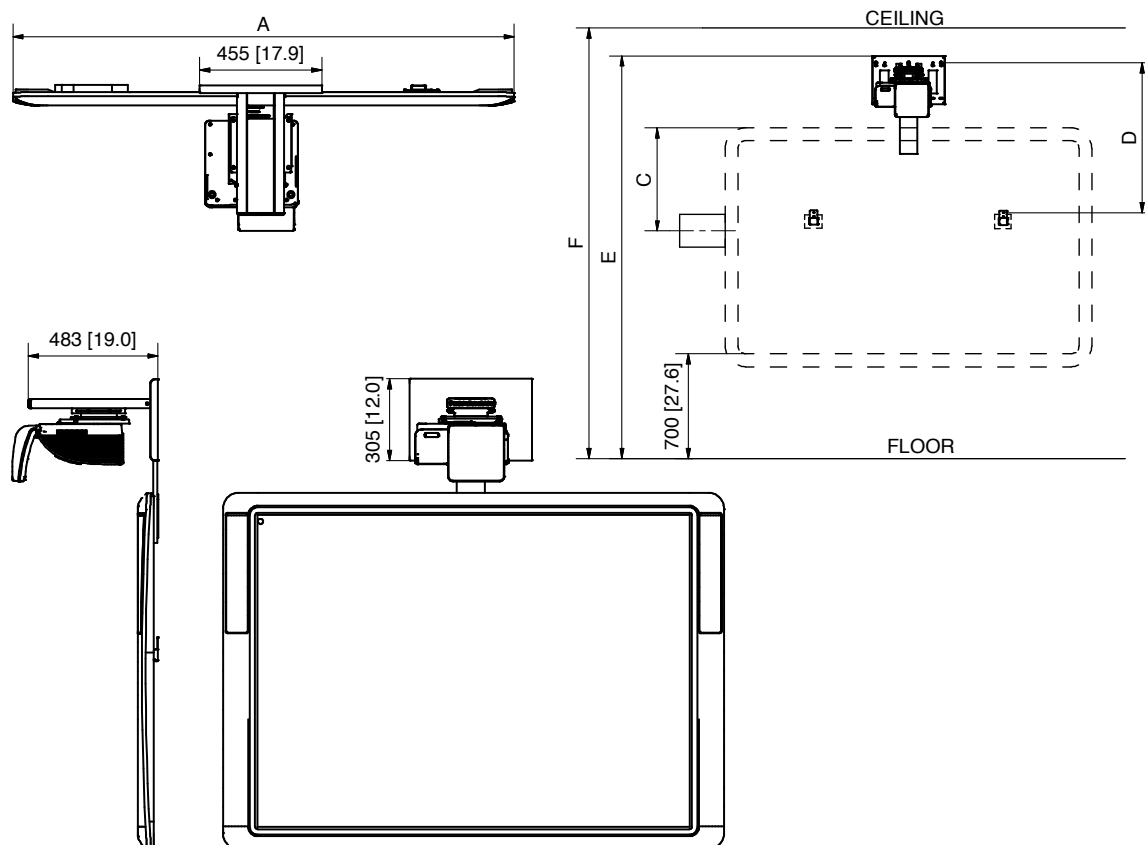
UPGRADE AND ACCESSORY OPTIONS

Audio Upgrade	2 slim-line integrated speakers with discreet amplifier box
Wireless Upgrade Pack 300	Allows the ActivBoard 300 to connect to the computer wirelessly; includes an ActivHub (2.4 GHz), PSU (Power Supply Unit) and Quick Start Guide
ActivArena 50 Upgrade Pack	Allows 2 users to work on the ActivBoard simultaneously; includes 2 Instructor and 2 Participant ActivPens, ActivArena Resources CD, ActivArena paper license, and ActivArena Quick Start Guide
ActivWand 50	Wireless, battery-free and extended reach input device for the ActivBoard – 540mm (21.2in) in length; “left click”, cursor and hover, just like a mouse

TECHNICAL DRAWING SPECIFICATIONS

ActivBoard 300 Mount System with EST-P1 projector

DIMENSION	378	387	395
ACTIVBOARD 'A'	1868 [73.5]	2105 [82.9]	2336 [92.0]
PROJECTOR 'B'	1379 [54.3]	1379 [54.3]	1409 [55.5]
WALL BOX 'C' ±1.50 [6]	660 [26.0]	660 [26.0]	660 [26.0]
FIXING HEIGHT 'D'	920 [36.2]	920 [36.2]	950 [37.4]
TOTAL HEIGHT 'E'	2380 [93.7]	2380 [93.7]	2410 [94.9]
MIN ROOM HEIGHT 'F'	2390 [94.1]	2390 [94.1]	2420 [95.3]



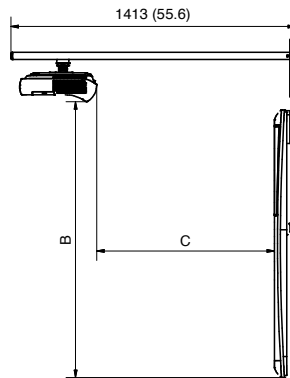
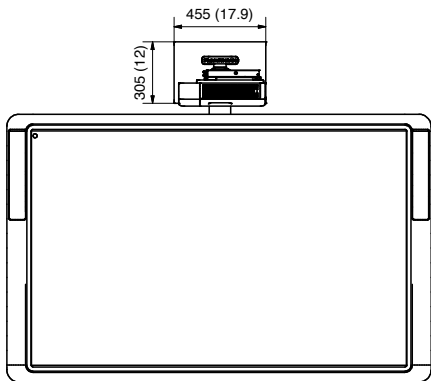
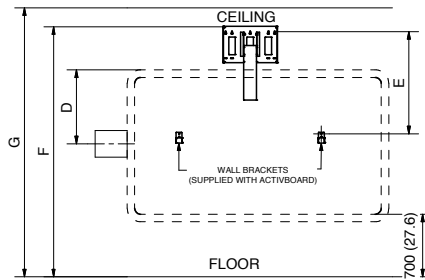
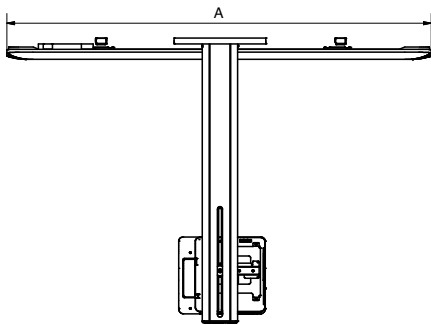
ActivBoard Systems/Boards SS 11/11 V2.0 US

©2011 Promethean Limited. All rights reserved. Promethean Ltd. is owner of a number of trademarks in several jurisdictions across the world. Any third-party product and company names are mentioned for identification purposes only and may be trademarks of their respective owners. [†]Applicable Terms and Conditions for warranty and support available at www.PrometheanWorld.com/ActivCare. All dimensions +/- 5mm (0.2in). All weights +/- 0.9kg (2lb). Product Specifications are subject to change without notice. www.PrometheanWorld.com

TECHNICAL DRAWING SPECIFICATIONS

ActivBoard 300 Mount System with PRM-30a or PRM-35 projector

	PRM30a - 378	PRM30a - 387	PRM30a - 395	PRM35 - 378	PRM35 - 387	PRM35 - 395
ACTIVBOARD 'A'	1868 (73.5)	2105 (82.9)	2336 (92.0)	1768 (69.6)	2105 (82.9)	2336 (92.0)
PROJECTOR 'B'	1357 (53.4)	1357 (53.4)	1442 (56.8)	1347 (53.0)	1347 (53.0)	1367 (53.8)
THROW DISTANCE 'C' ±10 (0.4)	906 (35.7)	906 (35.7)	985 (38.8)	985 (38.8)	985 (38.8)	1100 (43.3)
WALL BOX 'D' ±150 (6)	660 (26.0)	660 (26.0)	660 (26.0)	660 (26.0)	660 (26.0)	660 (26.0)
FIXING HEIGHT 'E'	825 (32.5)	825 (32.5)	910 (35.8)	810 (31.9)	810 (31.9)	830 (32.7)
TOTAL HEIGHT 'F'	2295 (90.4)	2295 (90.4)	2370 (93.3)	2270 (81.5)	2270 (81.5)	2290 (90.2)
MIN ROOM HEIGHT 'G'	2305 (90.7)	2305 (90.7)	2380 (93.7)	2280 (81.9)	2280 (81.9)	2300 (90.6)



ACTIVBOARD GENERAL SPECIFICATIONS

Internal Resolution	2730 points (lines) per inch
Output Resolution	200 points (lines) per inch
Tracking Rate	200 inches per second providing a fast response to pen commands
Output Rate	120 coordinate pairs per second
User Input	Cordless battery-free pen incorporating tip switch and side switch for full mouse functionality (ActivPen)
Digitizing Technology	Passive Electromagnetic
Power Requirement	Mains Powered; 18V Power Supply Unit
Connection to Computer	USB 2.0, 1 x 5m USB data cable supplied
Screen Surface	Low Glare Melamine
Certifications	UL, CE, FCC
Operating Temperature	0°C to +50°C (14°F to 122°F)
Storage Temperature	-20°C to +70°C (-4°F to 158°F)
Storage Humidity	0% to 90% (non-condensing)
Packed Contents List	ActivBoard, 2 ActivPens (Instructor), 5m (16ft) USB cable, Wall Mounting Brackets, Installation Guide, Access to ActivInspire Professional Edition and Promethean ActivOffice via download from Promethean Planet (ActivInspire Professional Edition is also available on DVD on request)

ACTIVBOARD SPECIFICATIONS BY MODEL

Model	ActivBoard 378	ActivBoard 387	ActivBoard 395
ActivBoard Size	78in	87in	95in
Resolution	12800 x 9200	14600 x 9200	17200 x 9200
Screen Formats	4:3	16:10	16:9
Overall Dimensions	1868mm x 1329mm (73.5in x 52.3in)	2105mm x 1329mm (82.9in x 52.3in)	2412mm x 1329mm (95in x 52in)
Active Area Dimensions	1628mm x 1175mm (64in x 46in)	1865mm x 1175mm (73in x 46in)	2172mm x 1175mm (86in x 46in)
Active Area Diagonal	2000mm (78.7in)	2196mm (86.5in)	2462mm (96.9in)
Actual Image Diagonal	1958mm (77.1in)	2193mm (86.4in)	2397mm (94.4in)
Board Weight	27kg (59.5lb)	28kg (61.7lb)	35kg (77.1lb)
Packed Weight	42kg (92.6lb)	44kg (97lb)	52kg (114.6lb)
Packed Dimensions	2030mm x 1500mm x 110mm (79.9in x 59in x 4.3in)	2265mm x 1500mm x 110mm (89.2in x 59in x 4.3in)	2570mm x 1500mm x 110mm (101.2in x 59in x 4.3in)

ActivBoard Systems/Boards SS 11/11 V2.0 US

©2011 Promethean Limited. All rights reserved. Promethean Ltd. is owner of a number of trademarks in several jurisdictions across the world. Any third-party product and company names are mentioned for identification purposes only and may be trademarks of their respective owners. ¹Applicable Terms and Conditions for warranty and support available at www.PrometheanWorld.com/ActivCare. All dimensions +/- 5mm (0.2in). All weights +/- 0.9kg (2lb). Product Specifications are subject to change without notice. www.PrometheanWorld.com

MINIMUM SYSTEM REQUIREMENTS

Operating Systems	Windows XP SP2 and above (XP/Vista/7); Mac OSX 10.4.11 – 10.6.1 (Tiger/Leopard/Snow Leopard); Linux Ubuntu 9.04, 9.10; Debian
PC	Pentium 4 – 1 GHz processor (800MHz for Vista), 512 MB of RAM, 1024x768 resolution, 1.5 GB of free disk space
Mac	Macintosh Intel Processors (Universal Binary), 512 MB of RAM, 1024x768 resolution, 3.0 GB of free disk space

Product Specifications

MOUNT SPECIFICATIONS

Projector Mount	For use with Short Throw Projector, aluminum arm extends 1415mm (55.7in) from the wall	For use with Extreme Short Throw Projector, aluminum arm extends 485mm (19.1in) from the wall
Room Height	Minimum room height 2400mm (94.5in)	Minimum room height 2400mm (94.5in)
Power	Power Outlets required for the projector, computer and ActivBoard	Power Outlets required for the projector, computer and ActivBoard
Weight (approx.)	Frame only: Approx. 9.9kg (22lb) excluding projector and cabling	Frame only: Approx. 8.8kg (22lb) excluding projector and cabling
Cable Management	Cables directed through the projector mount, mounting plate and behind the ActivBoard	Cables directed through the projector mount, mounting plate and behind the ActivBoard
Pack Weights & Dimensions	Box 1 of 1: 11.9kg (26.3lb) Dimensions: 1430mm x 325mm x 100mm (56.3in x 12.8in x 3.9in)	Box 1 of 1: 9.9kg (21.9lb) Dimensions: 715mm x 320mm x 120mm (28.1in x 12.6in x 4.7in)
Packed Contents List	Wall Plate, Cover, Projector Mount and Mounting Plate, VGA Cable plus Fixings	Wall Plate, Cover, Projector Mount and Mounting Plate, VGA Cable plus Fixings

ActivBoard Systems/Boards SS 11/11 V2.0 US

©2011 Promethean Limited. All rights reserved. Promethean Ltd. is owner of a number of trademarks in several jurisdictions across the world. Any third-party product and company names are mentioned for identification purposes only and may be trademarks of their respective owners. ¹Applicable Terms and Conditions for warranty and support available at www.PrometheanWorld.com/ActivCare. All dimensions +/- 5mm (0.2in). All weights +/- 0.9kg (2lb). Product Specifications are subject to change without notice. www.PrometheanWorld.com



Product Specifications

PROJECTOR SPECIFICATIONS

Model	EST-P1 (DLP)	PRM-35 (DLP)	PRM-30a (LCD)
Native Resolution	WXGA (1280 x 800)	WXGA (1280 x 800)	WXGA (1280 x 800)
Compressed Resolution	up to 1080i	up to 1080i	up to 1080i
Typical Colors	16.77 million colors	16.77 million colors	16.77 million colors
Brightness (ANSI lumens)	2200 ANSI (normal) 2500 ANSI (high)	2100 ANSI (normal) 2500 ANSI (high)	1900 ANSI (normal) 2500 ANSI (high)
Contrast Ratio	2000:1	2000:1	500:1
Noise Level	27dB (normal) 31dB (high brightness mode)	32dB (normal) 36dB (high brightness mode)	29dB (normal) 36dB (high brightness mode)
Dimensions (w x d x h)	354mm x 319mm x 157mm (13.9in x 12.6in x 6.1in) not including lens 354mm x 411mm x 219mm (13.9in x 16.1in x 8.6in) including lens	306mm x 275mm x 97mm (12in x 3.8in x 10.1in)	382mm x 430mm x 129mm (15in x 16.9in x 5in)
Weight	9kg (19.8lb)	2.7kg (6lb)	5.7kg (12.5lb)
Aspect Ratio	16:10 (native), 4:3, 16:9	16:10 (native), 4:3, 16:9	16:10 (native), 4:3, 16:9
Power Consumption	290W (<1W standby)	230W (<1W standby)	317W (<0.8W standby)
Device Type	DLP Technology	DLP Technology	LCD Technology
Focus	Manual Focus	Manual Focus	Manual Focus
Zoom	N/A	Digital Zoom	Digital Zoom
Focal Length	F=2.4	F=2.86	Fixed
Projection Distance	0.39m ~ 0.56m (15in ~ 22in)	0.54m ~ 1.22m (21.3in ~ 48in)	0.54m ~ 1.22m (21.3in ~ 48in)
Projection Screen Size	1.98m ~ 2.79m (78in ~ 110in)	1.27m ~ 2.79m (50in ~ 110in)	1.27m ~ 2.79m (50in ~ 110in)
Lamp Type	220W lamp	230W lamp	230W lamp
Lamp Life	6000hrs (normal), 4000hrs (high)	6000hrs (normal), 4000hrs (high)	4000 hrs (normal), 3000 hrs (high)
Keystone Correction	Vertical: max ±15°	Vertical: max ±15°	Vertical: max ±20°
Operating Temperature	5°C ~ 35°C (41°F ~ 95°F)	5°C ~ 35°C (41°F ~ 95°F)	5°C ~ 35°C (41°F ~ 95°F)
Power Supply Voltage	100 - 240V AC, 50/60Hz	100 ~ 240V AC, 50/60Hz	100 ~ 240V AC, 50/60Hz
Horizontal Scan Rate	15Hz ~ 90kHz	15Hz ~ 90kHz	15Hz ~ 90kHz
Vertical Scan Rate	43Hz ~ 85Hz	50Hz ~ 85Hz	50Hz ~ 85Hz

CONTINUED ON NEXT PAGE

ActivBoard Systems/Boards SS 11/11 V2.0 US

©2011 Promethean Limited. All rights reserved. Promethean Ltd. is owner of a number of trademarks in several jurisdictions across the world. Any third-party product and company names are mentioned for identification purposes only and may be trademarks of their respective owners. ¹Applicable Terms and Conditions for warranty and support available at www.PrometheanWorld.com/ActivCare. All dimensions +/- 5mm (0.2in). All weights +/- 0.9kg (2lb). Product Specifications are subject to change without notice. www.PrometheanWorld.com



PROJECTOR SPECIFICATIONS (CONTINUED)

Computer Compatibility	IBM PC and Compatibles; Apple Macintosh, iMac, and VESA Standards WSXGA+ (1,680 x 1,050), WXGA+ (1,440 x 900), WXGA (1,280 x 800, 1,280 x 768), UXGA (1,600 x 1,200), SXGA+ (1,400 x 1,050), SXGA (1,280 x 1,024), XGA (1,024 x 768), SVGA (800 x 600), VGA (640 x 480)	IBM PC and Compatibles; Apple Macintosh, iMac, and VESA Standards WSXGA+ (1,680 x 1,050), WXGA+ (1,440 x 900), WXGA (1,280 x 800, 1,280 x 768), UXGA (1,600 x 1,200), SXGA+ (1,400 x 1,050), SXGA (1,280 x 1,024), XGA (1,024 x 768), SVGA (800 x 600), VGA (640 x 480)	IBM PC and Compatibles; Apple Macintosh, iMac, and VESA Standards WSXGA+ (1,680 x 1,050), WXGA+ (1,440 x 900), WXGA (1,280 x 800, 1,280 x 768), UXGA (1,600 x 1,200), SXGA+ (1,400 x 1,050), SXGA (1,280 x 1,024), XGA (1,024 x 768), SVGA (800 x 600), VGA (640 x 480)
Video Compatibility	NTSC (3.58/4.43), PAL (B/D/G/H/I/M/N), SECAM (B/D/G/K/K1/L), HDTV (720p, 1080i, 1035i), EDTV (480p, 575i), SDTV (480i, 576i)	NTSC (3.58/4.43), PAL (B/D/G/H/I/M/N), SECAM (B/D/G/K/K1/L), HDTV (720p, 1080i, 1035i), EDTV (480p, 575i), SDTV (480i, 576i)	NTSC (3.58/4.43), PAL (B/D/G/H/I/M/N), SECAM (B/D/G/K/K1/L), HDTV (720p, 1080i, 1035i), EDTV (480p, 575i), SDTV (480i, 576i)
Inputs/Outputs	D-sub 15 (RGB) x 2 D-sub 15 (Monitor out) x 1 HDMI V1.3 only for Video x 1 S-Video x 1 Composite Video (RCA) x 1 USB control x 1 Networking LAN (RJ45) x 1 RS-232C (D-sub 9) x 1	D-sub 15 (RGB) x 2 D-sub 15 (Monitor out) x 1 HDMI V.1.3 only for Video x 1 S-Video x 1 Composite Video (RCA) x 1 USB control x1 Networking LAN (RJ45) x 1 RS-232C (D-sub 9) x 1	D-sub 15 (RGB) x 1 D-sub 15 (RGB) selectable x 1 HDMI (Digital RGB) x 1 S-Video x 1 Composite Video (RCA) x 1 RCA (white/red) x 1 Networking LAN (RJ45) x 1 RS-232C (D-sub 9) x 1 Stereo mini-jack x 1
Color	Silver	Silver	Silver
Security	Kensington Lock, Security cable bar option, pin code security, remote control operated only	Kensington Lock, Security cable bar option, pin code security, remote control operated only	Kensington Lock, Security cable bar option, pin code security, remote control operated only
On-screen Menu	Arabic, Chinese (Simplified), Chinese (Traditional), Czech, Dutch, English, Finnish, French, German, Greek, Hungarian, Italian, Japanese, Korean, Norwegian, Polish, Portuguese, Russian, Spanish, Swedish, Thai, Turkish	Arabic, Chinese (Simplified), Chinese (Traditional), Czech, Dutch, English, Finnish, French, German, Greek, Hungarian, Italian, Korean, Norwegian, Polish, Portuguese, Russian, Spanish, Swedish, Turkish	Arabic, Chinese (Simplified), Chinese (Traditional), Danish, Dutch, English, Finnish, French, German, Hungarian, Italian, Japanese, Kazak, Korean, Norwegian, Polish, Portuguese, Portuguese (Brazilian), Romanian, Russian, Spanish, Swedish, Turkish
Advanced Features	Filter-less 3D Ready Crestron RoomView Express Quick Lamp Access Direct power on/off Closed Caption	Filter-less 3D Ready Crestron RoomView Express Quick Lamp Access Direct power on/off Closed Caption	Long Life Filter – 4000hrs Crestron RoomView Express Cable Management Cover Quick Lamp Access Direct power on/off Closed Caption
Packed Contents List	Projector, Power cord, computer cable (D-sub15 – D-sub15), wireless remote, owner's manual (CD - ROM & Quick Start Guide)	Projector, Power cord, computer cable (D-sub15 – D-sub15), wireless remote, owner's manual (CD - ROM & Quick Start Guide)	Projector, Power cord, computer cable (D-sub15 – D-sub15), wireless remote, owner's manual (CD - ROM & Quick Start Guide)
Pack Weights and Dimensions	Box 1 of 1: 13.5kg (29.7lb) Dimensions: 572mm x 496mm x 310mm (22.5in x 19.5in x 12.2in) Contents: Projector	Box 1 of 1: 4.9kg (10.8lb) Dimensions: 396mm x 341mm x 181mm (15.5in x 13.4in x 7.1in) Contents: Projector	Box 1 of 1: 9.5kg (20.9lb) Dimensions: 510mm x 470mm x 240mm (20in x 18.5in x 9.4in) Contents: Projector

ActivBoard Systems/Boards SS 11/11 V2.0 US

©2011 Promethean Limited. All rights reserved. Promethean Ltd. is owner of a number of trademarks in several jurisdictions across the world. Any third-party product and company names are mentioned for identification purposes only and may be trademarks of their respective owners. ¹Applicable Terms and Conditions for warranty and support available at www.PrometheanWorld.com/ActivCare. All dimensions +/- 5mm (0.2in). All weights +/- 0.9kg (2lb). Product Specifications are subject to change without notice. www.PrometheanWorld.com