

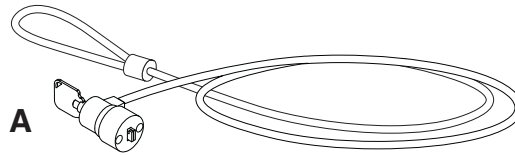
IMPORTANT! Read entire instruction sheet before you start installation and assembly.

Before you start check the parts list below to make sure all of the parts shown are included.

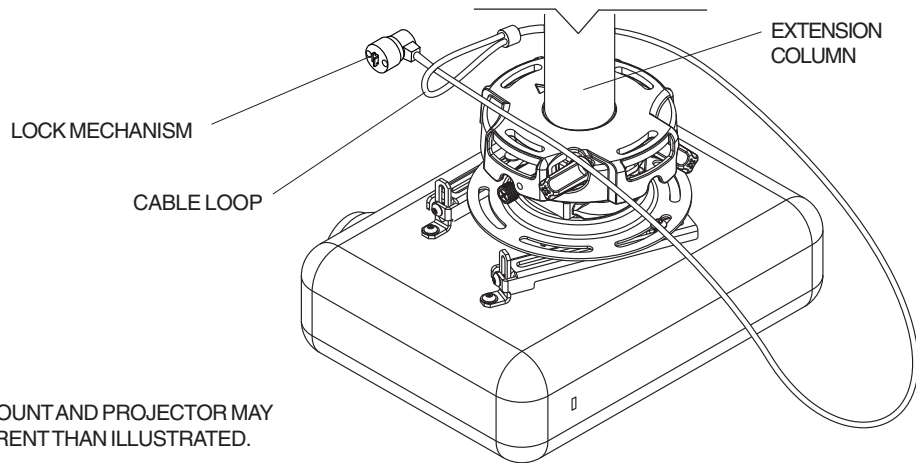
Parts List

Description	Qty.	Part Number
A cable assembly	1	600-0055

Note: Actual parts may appear slightly different than illustrated.



1 Wrap cable assembly around extension column and insert lock mechanism through cable loop as shown.



2 Insert key into lock mechanism and set to open position by pushing in key and rotating until hooks are in open position as shown in figure 2.1.

Note: Key is not removable in open position.

Wrap cable around extension column a few times to reduce slack if needed as shown in figure 2.2. Insert hooks of lock mechanism into slot on projector, then push in key and turn to lock.

