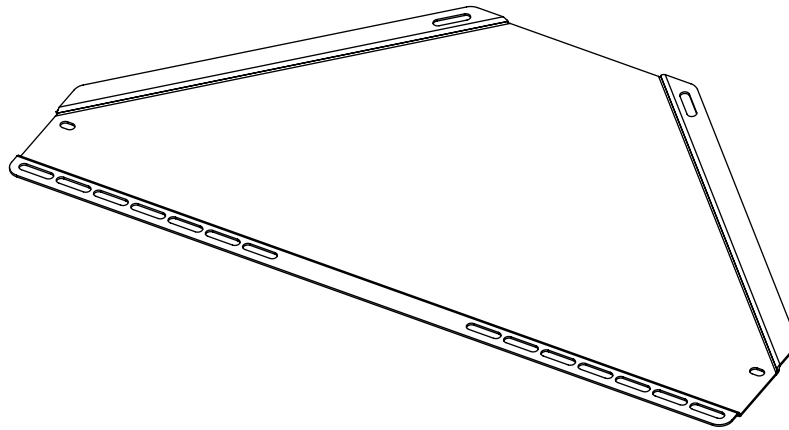


Installation and Assembly: Shelf Accessory for the Corner Mount

Models: ACC324(-S)



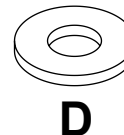
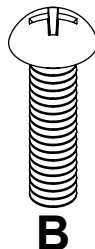
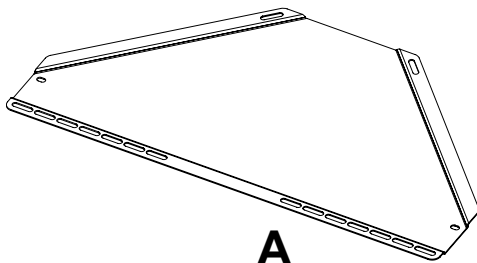
Features

- For use with CM50(-S), CM60(-S) or CM850(-S)
- Top mounting provides open access to A/V equipment
- Creates enclosed compartment when mounted at the bottom of corner mount
- 25 lb weight load capacity
- Available in black or silver

*Before you begin, make sure all parts shown are included with your product.
 Parts may appear slightly different than illustrated.*

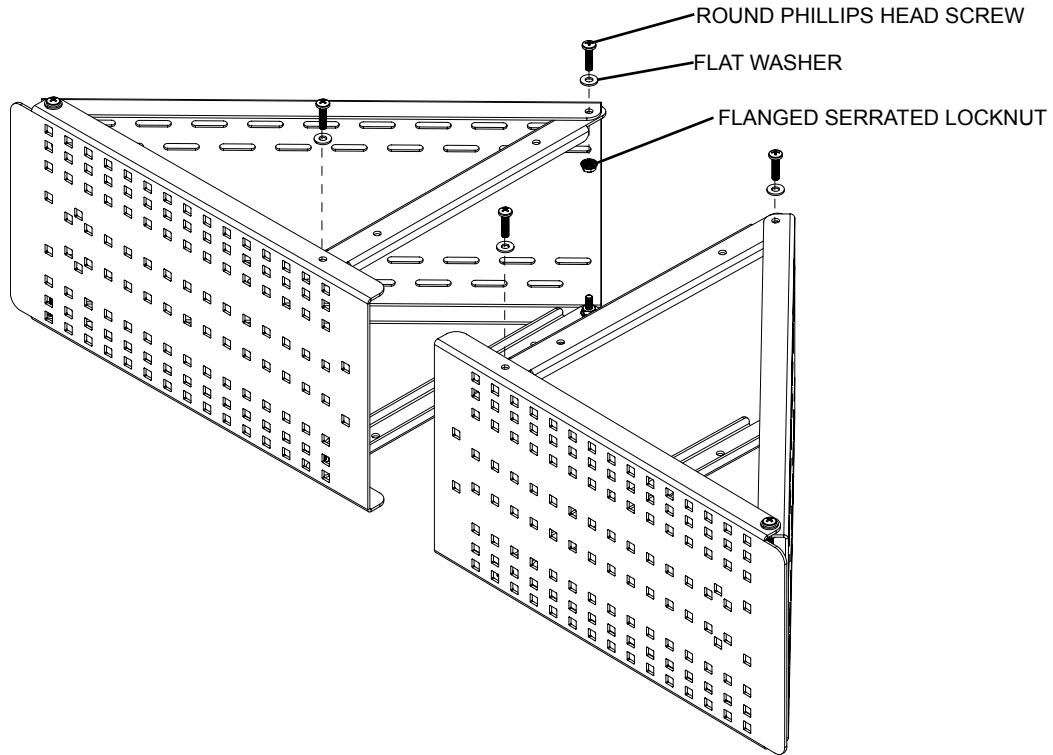
Parts List

Description	Qty.	Black Part #	Silver Part #
A shelf	1	120-1079	120-4079
B 1/4-20 x 1" round head phillips screw	4	510-9110	510-9110
C 1/4-20 serrated flanged locknut	4	530-1021	530-1021
D 1/4" flat washer	4	540-9440	540-9440



- 1** **NOTE:** If attaching shelf (A) to top side of corner mount, remove fasteners and support brackets from top side. If attaching shelf (A) to inside bottom of corner mount, remove fasteners and support brackets from bottom side.

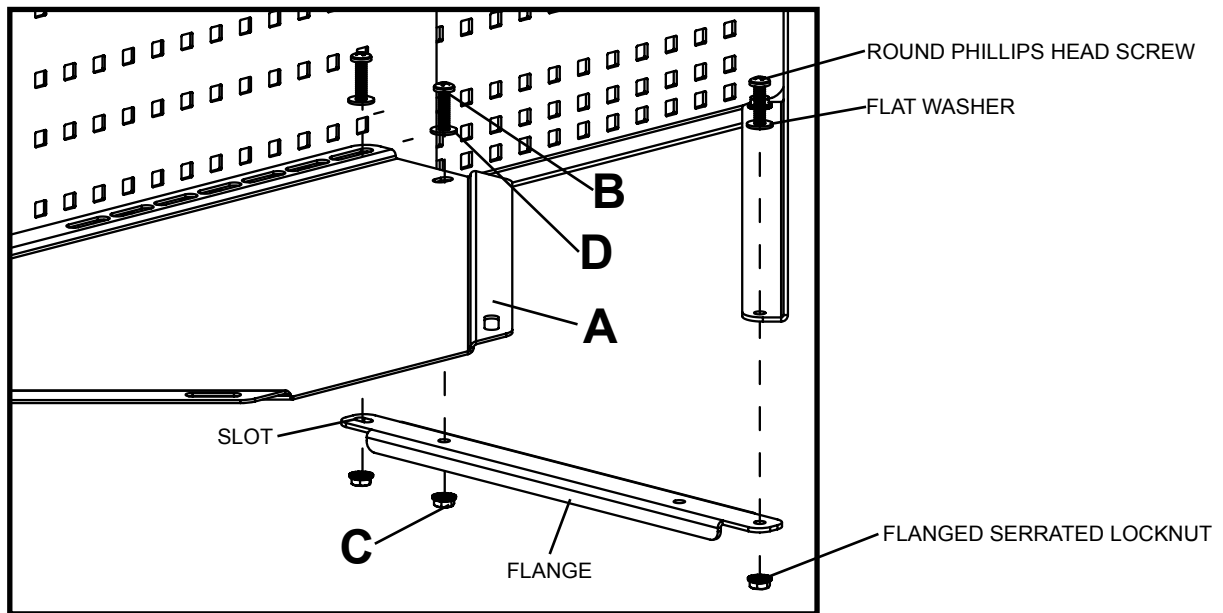
Remove top sets of 1/4-20 x 1" round phillips head screws, 1/4" flat washers and 1/4-20 flanged serrated locknuts as shown below.



Attaching Shelf to Inside Bottom of Corner Mount

- 2** Center shelf (A) onto corner mount and align with front hole slots. Replace screw, washer and nut combination to front and rear hole slots as shown. **NOTE:** When reattaching support bracket, be sure flange faces downward and slot faces front.

NOTE: When wall plates of corner mount are 20" from the corner of the wall, fasten one 1/4-20 x 1" round phillips head screw (B) one 1/4" flat washer (D) and one 1/4-20 flanged serrated locknut (C) through slot of support bracket as shown below.

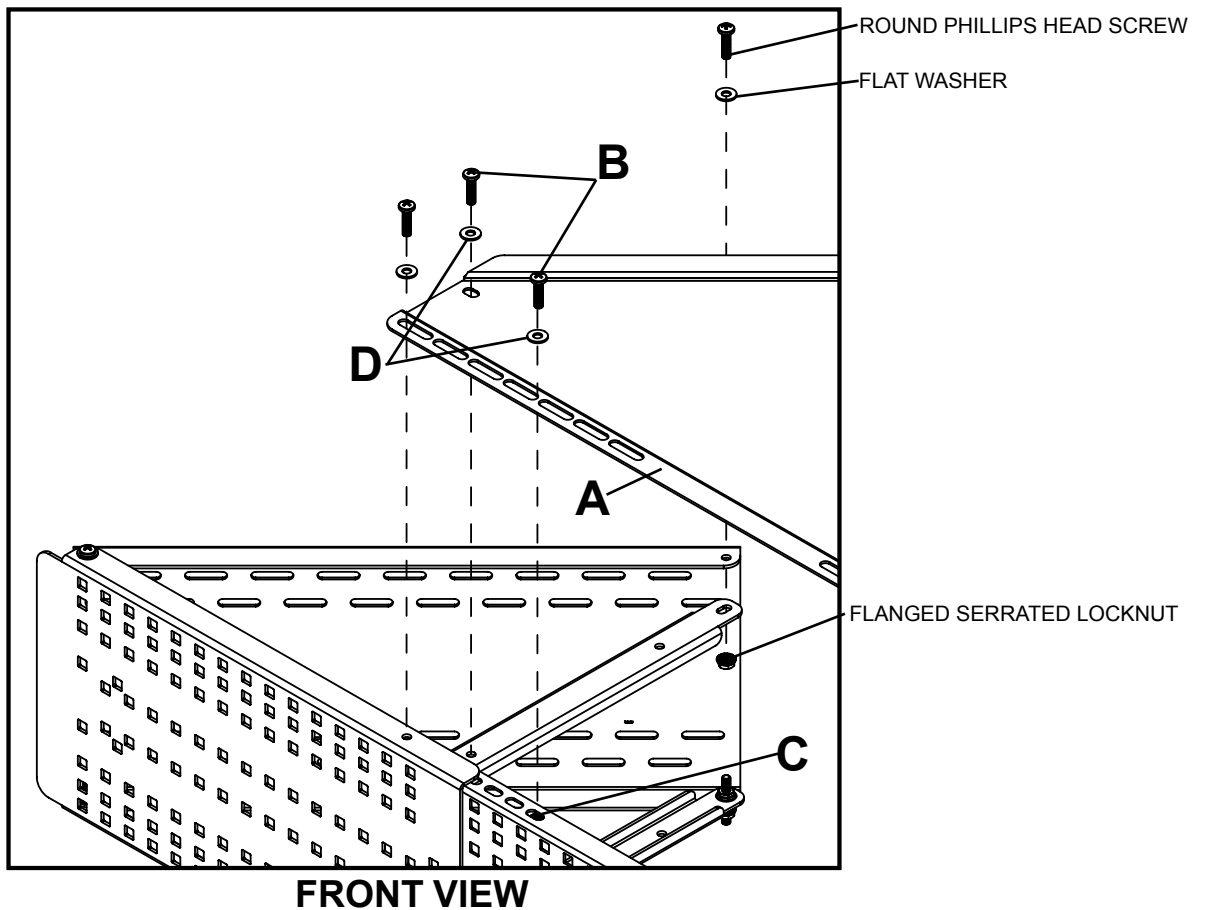


BACK VIEW

Attaching Shelf to Top of Corner Mount

3 Center shelf (A) onto corner mount and align with front hole slots. Replace screw, washer and nut combination to front and rear hole slots as shown. **NOTE:** When reattaching support bracket, be sure flange faces downward.

NOTE: When wall plates of corner mount are 20" from the corner of the wall, fasten two 1/4-20 x 1" round phillips head screw (B), two 1/4" flat washers (D), and two 1/4-20 flanged serrated locknuts (C) through slot of support bracket and center plate on both sides as shown below.



Touchboards

205 Westwood Ave, Long Branch, NJ 07740
Phone: 866-94 BOARDS (26273) / (732)-222-1511
Fax: (732)-222-7088 | E-mail: sales@touchboards.com