

ACC328



## Laptop Tray

For LCT-A1B1C/H and LCT-A1B4C/H Desktop Mounts

With the frequency of laptop use, there is an increasing need to optimize home or office workstations to promote enhanced ergonomic posture. The ACC328 creates an ergonomic workstation for laptop usage, putting everything needed at eye level with a tray that securely holds any standard laptop computer. Designed with a front edge that prevents the laptop from sliding forward, the mount tray will also accommodate a convertible notebook in either tablet or laptop mode. Transitioning from mobile computing to a desktop solution is effortless. The ACC328 easily mounts with just four screws to a selection of Peerless' Universal Desktop Mounts.



Max load: 17.5 lb (8 Kg)

### FEATURES

- Creates an ergonomic workstation for laptop use
- Simply attaches to LCT-A1B1C/H and LCT-A1B4C/H models with 4 screws for quick assembly
- Designed with a front edge to prevent laptop from sliding forward
- Ideal for standard laptops
- 17.5 lb (8 kg) load capacity



■ **FRONT EDGE DESIGN**  
Prevents laptop from sliding forward



Shown with LCT-A1B1C model



**RoHS**  
2002/95/EC

# Touchboards

205 Westwood Ave, Long Branch, NJ 07740  
Phone: 866-94 BOARDS (26273) / (732)-222-1511  
Fax: (732)-222-7088 | E-mail: sales@touchboards.com

**peerless®**

## Model Numbers

**WARRANTY:** Limited 5-year

**ACC328:** Laptop tray for LCT-A1B1C/H and LCT-A1B4C/H Desktop Mounts

## Product Specifications

|        | DIMENSIONS (W x H x D)                       | PRODUCT WEIGHT  | LOAD CAPACITY  | FINISH                            | AVAILABLE COLORS |
|--------|--|-----------------|----------------|-----------------------------------|------------------|
| ACC328 | 15.12" x 6" x 12.43"<br>(384 x 152 x 316 mm) | 4 lb ( 1.81 kg) | 17.5 lb (8 kg) | Scratch resistance<br>fused epoxy | Black            |

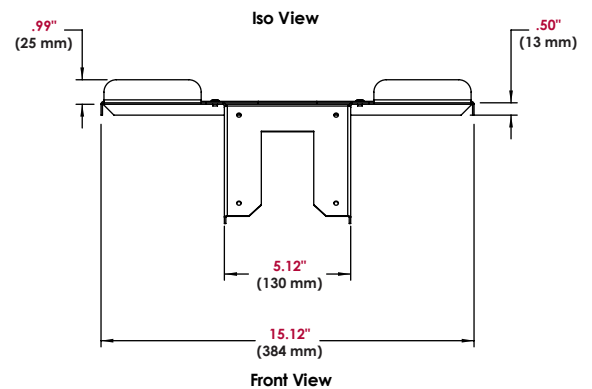
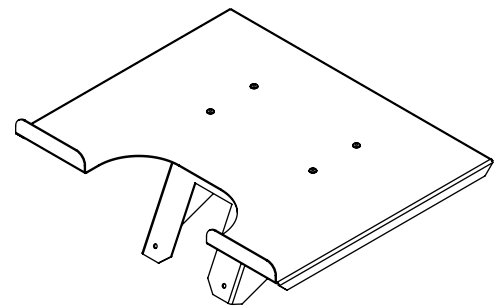
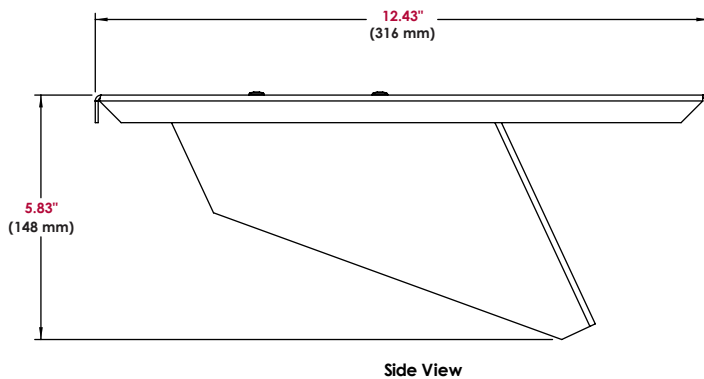
## Package Specifications

|        | PACKAGE SIZE (L x W x H)                    | PACKAGE SHIP WEIGHT | PACKAGE UPC CODE | PACKAGE CONTENTS   | UNITS IN PACKAGE |
|--------|---|---------------------|------------------|--|------------------|
| ACC328 | 13.25" x 6.5" x 16"<br>(337 x 165 x 406 mm) | 5 lb (2.26 kg)      | 735029266808     | Tray, plastic edge<br>protectors (3) and all<br>necessary attachment<br>hardware | 1                |

## Compatible with:

LCT-A1B1C/H and LCT-A1B4C/H: Desktop Mounts

All dimensions = inch (mm)



## ARCHITECTS SPECIFICATIONS

The Laptop Shelf shall be a Peerless model ACC328 and shall be located where indicated on the plans. The finish shall be scratch resistant black. Assembly and installation shall be done according to instructions provided by the manufacturer.