

# Installation and Assembly - Cathedral Ceiling Adapter

Model: ACC 556

**Note:** Read entire instruction sheet before beginning installation and assembly.



This product is intended for use with UL Listed products and must be installed by a qualified professional installer.

**IMPORTANT!** Certain ceilings require additional mounting hardware...

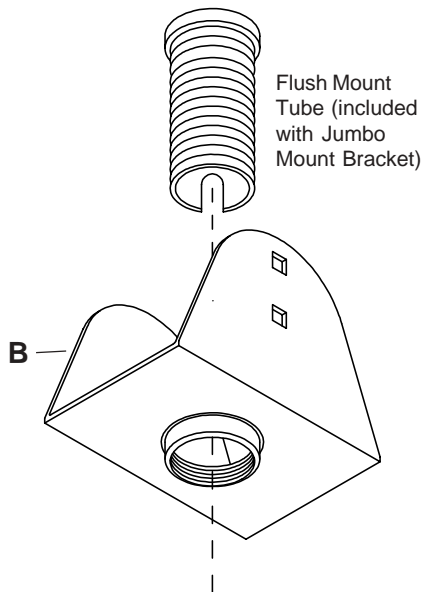
CEILING CONSTRUCTION	ADDITIONAL HARDWARE REQUIRED
Wood Joist, Wood Beam	none
Concrete,	Concrete Anchor Kit - <i>order accessory kit ACC 200.</i> Note: Some units may already include concrete anchors.
Other or unsure?	Consult a qualified professional installer or call Peerless Customer Service.

For customer service, or to order accessory kits call 1-800-729-0307 or 708-865-8870

**Max. Load Capacity:**  
300 lb (137 kg)

**1** Fully thread flush mount tube into threaded fitting in lower ceiling bracket (**B**).

**Note:** If you will install an extension column do not install flush mount tube. Begin with step 2.



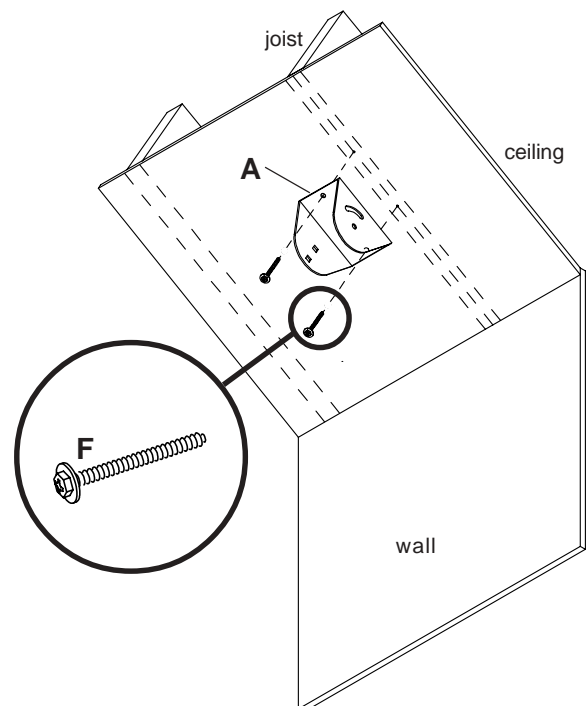
**2** For Wood Joist Finished Ceiling, Exposed Wood Joists, or Wood Beam Ceiling. (See for concrete ceilings). Drill two 5/32" (4 mm) dia. holes to a minimum depth of 2.5" (64 mm). Attach upper ceiling bracket (**A**) with two #14 x 2.5" (6 mm x 65 mm) wood screws (**F**).

## ⚠ WARNING

- Tighten wood screws so that ceiling bracket is firmly attached, but do not overtighten. Overtightening can damage the screws, greatly reducing their holding power.
- Never tighten in excess of 80 in. • lb (9 N.M.).

### PARTS LIST

PART #	QTY.	DESCRIPTION
A 1465-273	1	upper ceiling bracket
B 2JM-11CP01L	1	lower ceiling bracket
C 520-9215	4	3/8-16 x 3/4" carriage bolt
D 540-9407	4	flat washer
E 530-9310	4	3/8-16 nylock nut
F 5S1-015-C04	2	#14 x 2.5" (6mm x 65mm) wood screw
G 520-9250	1	M5 x .8 x 10mm phillips screw (for use with extension column if applicable)



205 Westwood Ave, Long Branch, NJ 07740  
Phone: 866-94 BOARDS (26273) / (732)-222-1511  
Fax: (732)-222-7088 | E-mail: sales@touchboards.com

## ⚠ WARNING

- Concrete must be 2000 psi density minimum. Lighter density concrete may not hold concrete anchor.
- Make sure that the ceiling will safely support four times the combined load of the equipment and all attached hardware and components.

## ⚠ WARNING

- Make sure that the ceiling will safely support the combined load of the equipment and all attached hardware and components.
- Never exceed the Max. Load Capacity of 300 lb (137 kg).

- 3** For Concrete Ceilings drill four 5/16" (8 mm) dia. holes to a minimum depth of 1-3/4" (45 mm). Attach upper ceiling bracket (A) using concrete expansion anchors as shown (right). Tighten to 80 in. • lb (9 N.M.) maximum torque.

## ⚠ WARNING

- Tighten concrete anchor bolt firmly, but do not over-tighten. Overtightening can damage the bolt, greatly reducing its holding power.
- Never tighten in excess of 80 in. • lb (9 N.M.).

## ⚠ WARNING

- Always attach concrete expansion anchors directly to load-bearing concrete.
- Never attach concrete expansion anchors to concrete covered with plaster, drywall or other finishing material. If mounting to concrete surfaces covered with a finishing surface is unavoidable, the finishing surface must be counterbored as shown in Figure 1.

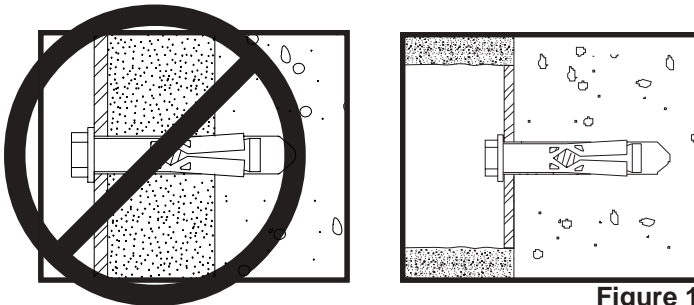
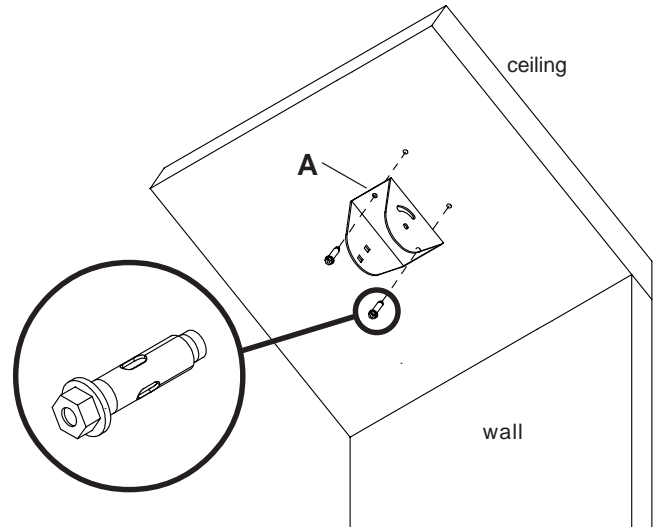
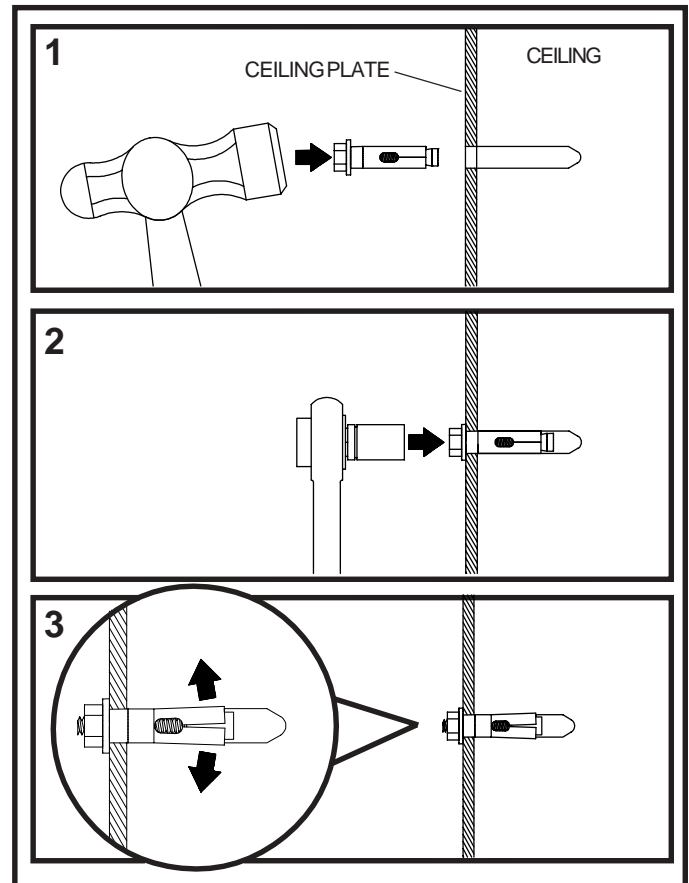


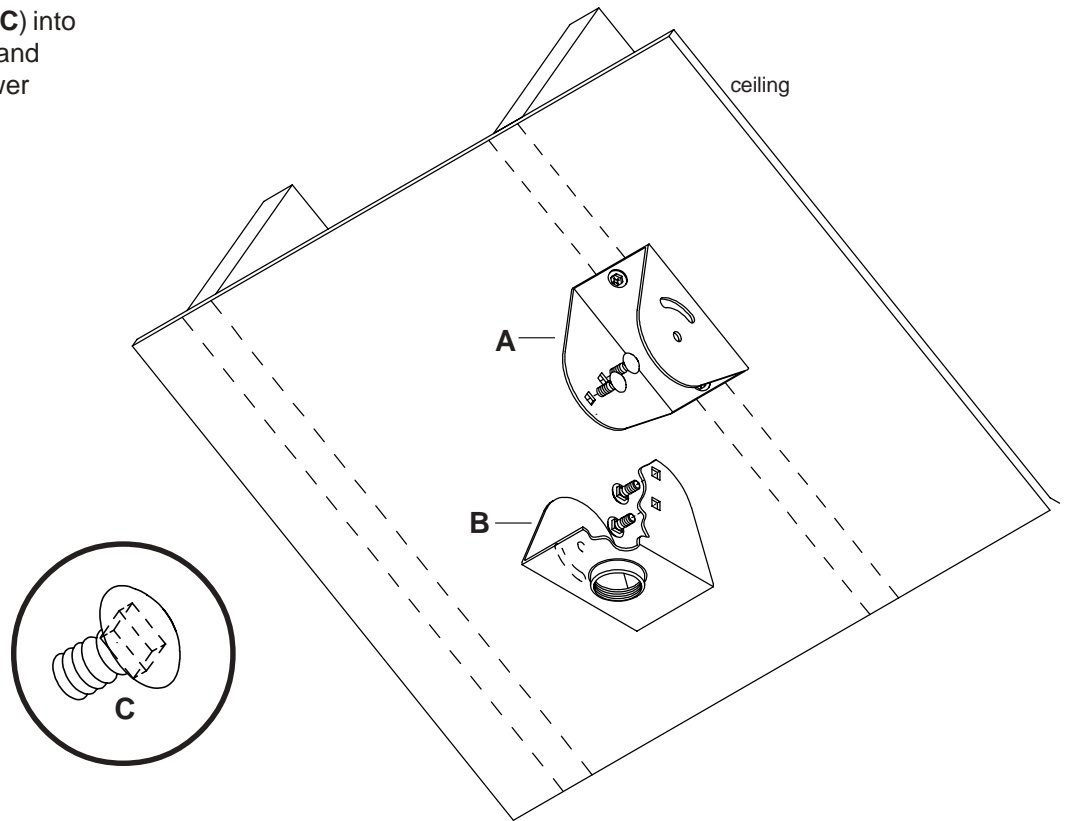
Figure 1



### CONCRETE ANCHOR INSTALLATION

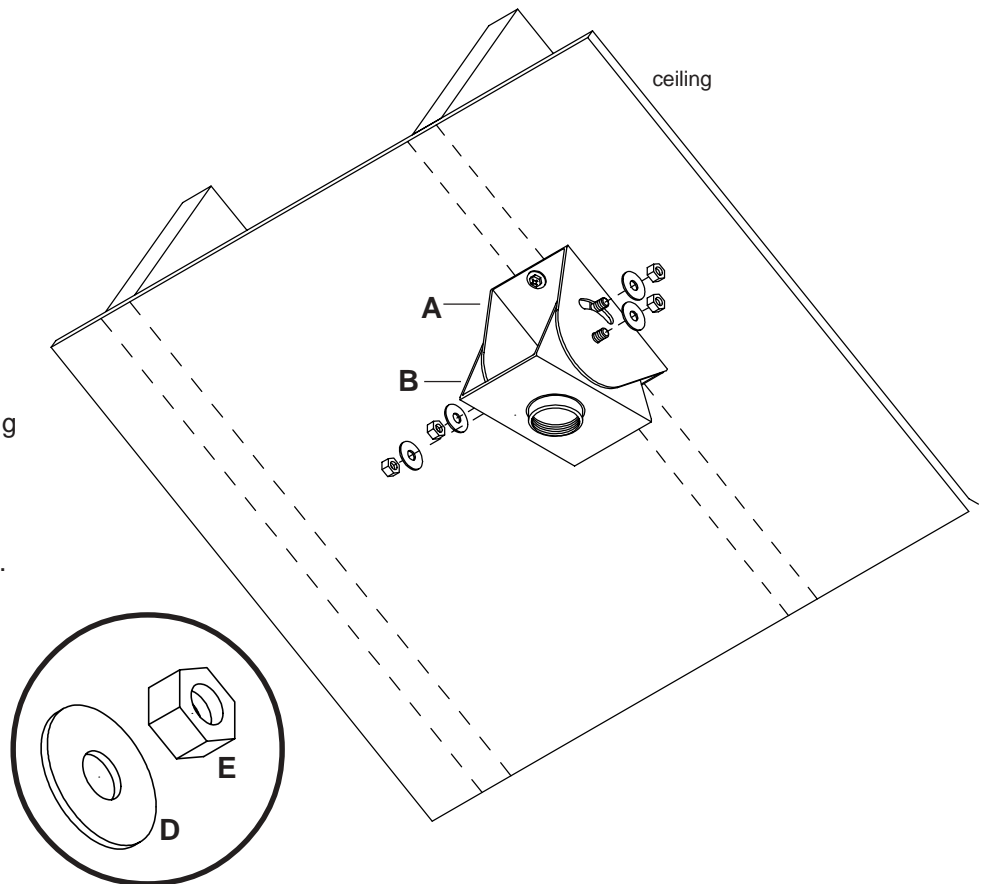


- 4** Insert two carriage bolts (**C**) into upper ceiling bracket (**A**) and two carriage bolts into lower ceiling bracket (**B**).



- 5** Attach lower ceiling bracket (**B**) to upper ceiling bracket (**A**) using four flat washers (**D**) and nylock nuts (**E**). Tighten all nuts.

Note: use a level to make sure lower ceiling bracket (**B**) is level.



**Touchboards**

205 Westwood Ave, Long Branch, NJ 07740  
Phone: 866-94 BOARDS (26273) / (732)-222-1511  
Fax: (732)-222-7088 | E-mail: sales@touchboards.com