

ASSEMBLY INSTRUCTIONS

Model:

Muti-Display Interface Bracket PATENT PENDING

ACC 600

Before beginning assembly...

Please read entire instruction sheet and check the parts list to ensure that all components have been included.

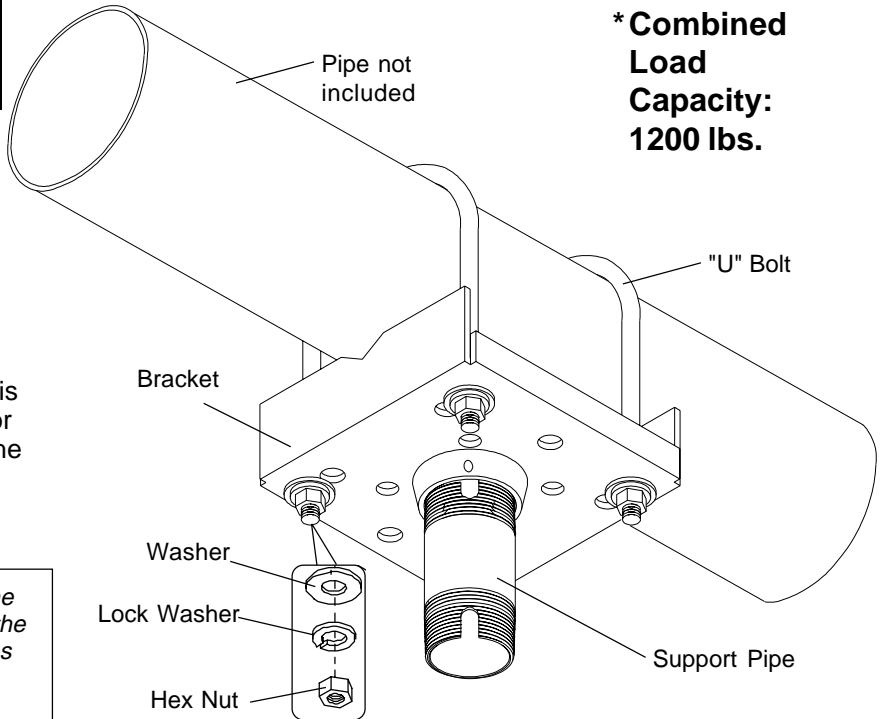
Recommended tools: Adjustable wrench, Phillips screwdriver



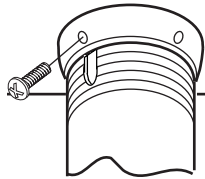
This Peerless product is intended for use with UL approved monitors and TV's only and must be installed by a qualified professional installer.

IMPORTANT: It is the responsibility of the installer to verify that the pipe will safely support the combined load of four times all attached hardware and componentry.

1. Select the location on the pipe for positioning bracket and position the "U" Bolts over the top as shown. Then attach the bracket underneath with the Hex Nut, lock washers and washers. Note: the direction of the bracket will be UP for mounting to extension columns and DOWN for pipes (as shown). Tighten nuts snugly.
2. Fasten Support pipe into bracket until pipe is tight and align notch with hole on bracket or attach the extension column according to the instructions provided with it. Use a level to make sure the column is plumb and make adjustments as necessary.



*** Combined Load Capacity: 1200 lbs.**



IMPORTANT: Insert the M5 x 10mm screw in the threaded pipe fitting as directed in the extension column instructions. If you are using an extension pipe without a notch, drill a 11/64 (0.172") dia. hole through the pipe and insert the screw through

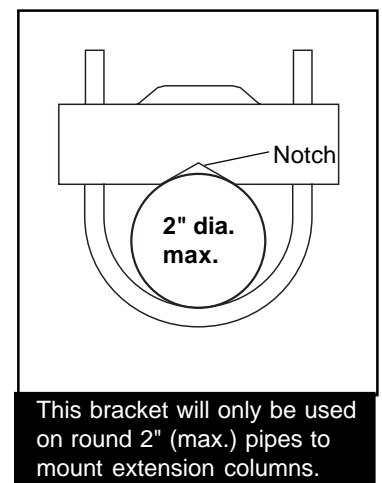
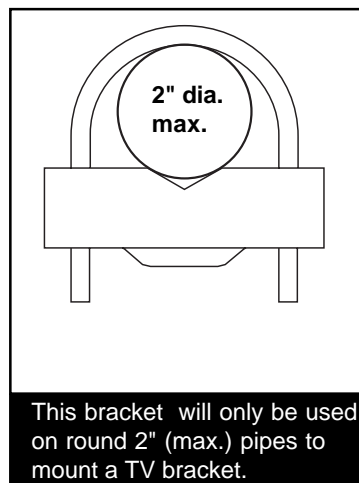
the pipe. **Failure to do so could cause the assembly to fail.**

*Total weight of components and hardware

3. Now tighten Hex Nuts to a maximum of 25 FP (34NM) so that the lock washer becomes flat. Mount your bracket according to the instructions provided with it.

Parts List

Description	Qty	Part #
Muti-display interface brkt	1	128-1141
Support Pipe 4"	1	139-1083
"U" Bolt	2	520-1088
Flat Washer	4	540-9407
Lock Washer	4	540-9424
Hex Nut	4	530-9308
M5 x 10 mm phil. screw	1	520-9250



205 Westwood Ave, Long Branch, NJ 07740
 Phone: 866-94 BOARDS (26273) / (732)-222-1511
 Fax: (732)-222-7088 | E-mail: sales@touchboards.com