

Installation and Assembly - Vibration Absorber Ceiling Mount for Structural Ceiling

Model:
ACC 840

IMPORTANT! Read entire instruction sheet before you start installation and assembly.

Before you start check the parts list below to make sure all of the parts shown are included.

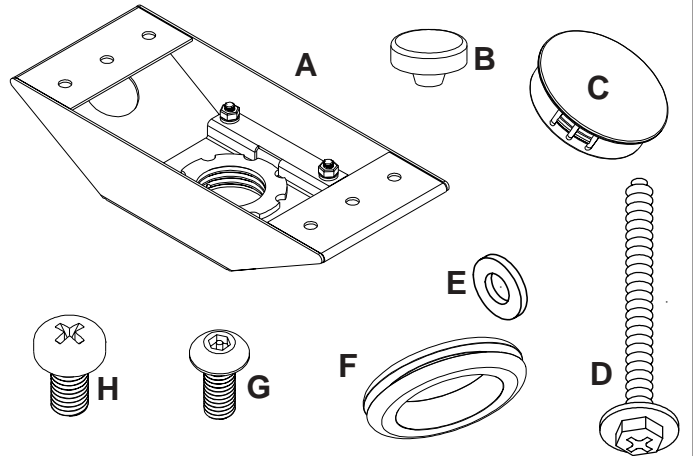
⚠ WARNING

- Installer must verify that the ceiling will safely support four times the combined weight of all attached equipment and hardware.

Parts List

| Description | Qty. | Part Number |
|---|------|-------------|
| A anti- vibration mount | 1 | 055-0004 |
| B rubber bumper | 4 | 590-1124 |
| C plastic finishing caps | 2 | 590-1123 |
| D #14 x 2.5 wood screw | 2 | 5S1-015-C03 |
| E .26 x .7x .062 plastic washer | 2 | 540-9439 |
| F rubber grommet | 1 | 530-9401 |
| G M5 x .8 x 10 mm socket-pin screw | 1 | 520-1063 |
| H M5 x .8 x 10 mm phillips screw | 1 | 520-9250 |

Note: Actual parts may appear slightly different than illustrated.



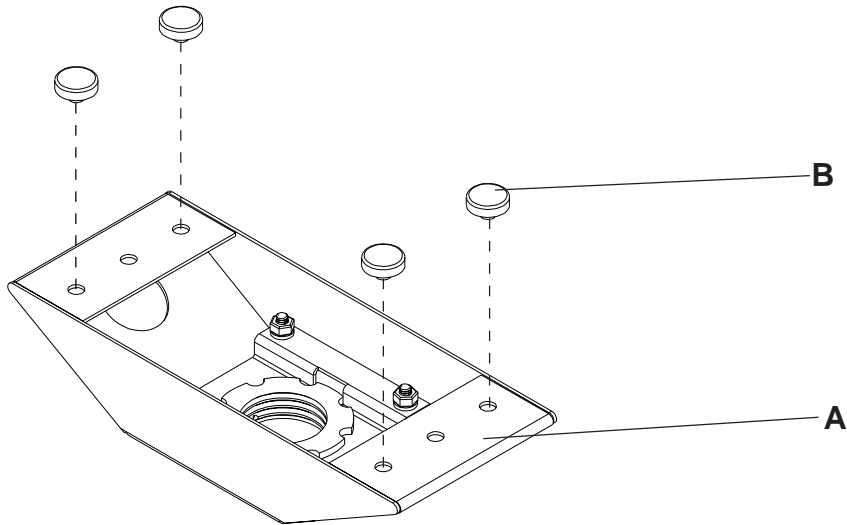
⚠ WARNING

- If mounting to Unistrut®, purchase model ACC 845. Model ACC 840 should be mounted to wood only. If the anti-vibration mount is altered in any way it may not be as effective, or effective at all, in controlling vibration. In addition, be certain that no part of the system, including any extension column that might be used, comes in contact with the vibrating surface. If mounting through a drop ceiling, be sure to cut a large enough hole in the ceiling tile as to avoid contact with the extension column. If using an escutcheon ring, be sure it does not come in contact with the false ceiling. Also be sure to use the rubber bumper (**B**) provided.

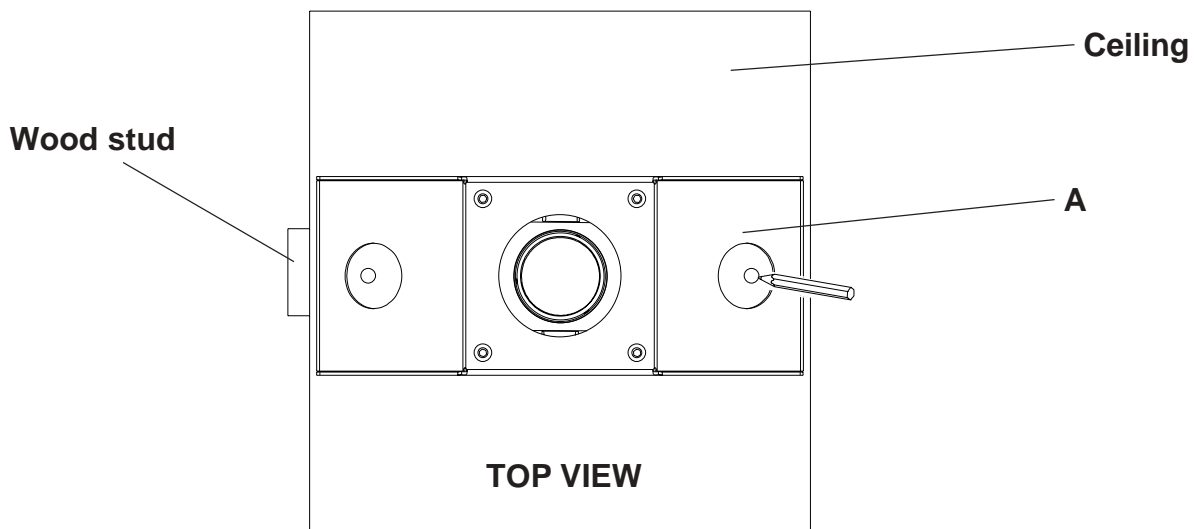
Touchboards

205 Westwood Ave, Long Branch, NJ 07740
 Phone: 866-94 BOARDS (26273) / (732)-222-1511
 Fax: (732)-222-7088 | E-mail: sales@touchboards.com

- 1** Attach four rubber bumpers (**B**) to anti-vibration mount (**A**) as shown below.



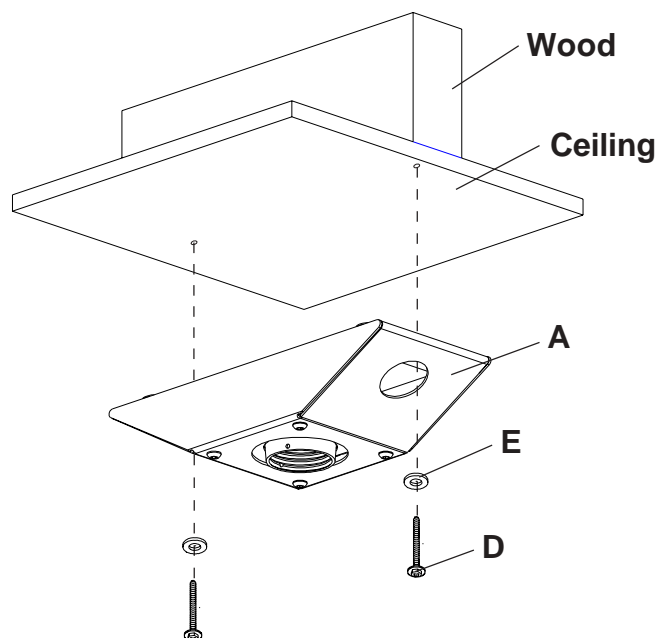
- 2** Use stud finder to locate stud centers. Use anti-vibration mount (**A**) as a template to mark slot centers on stud centers.



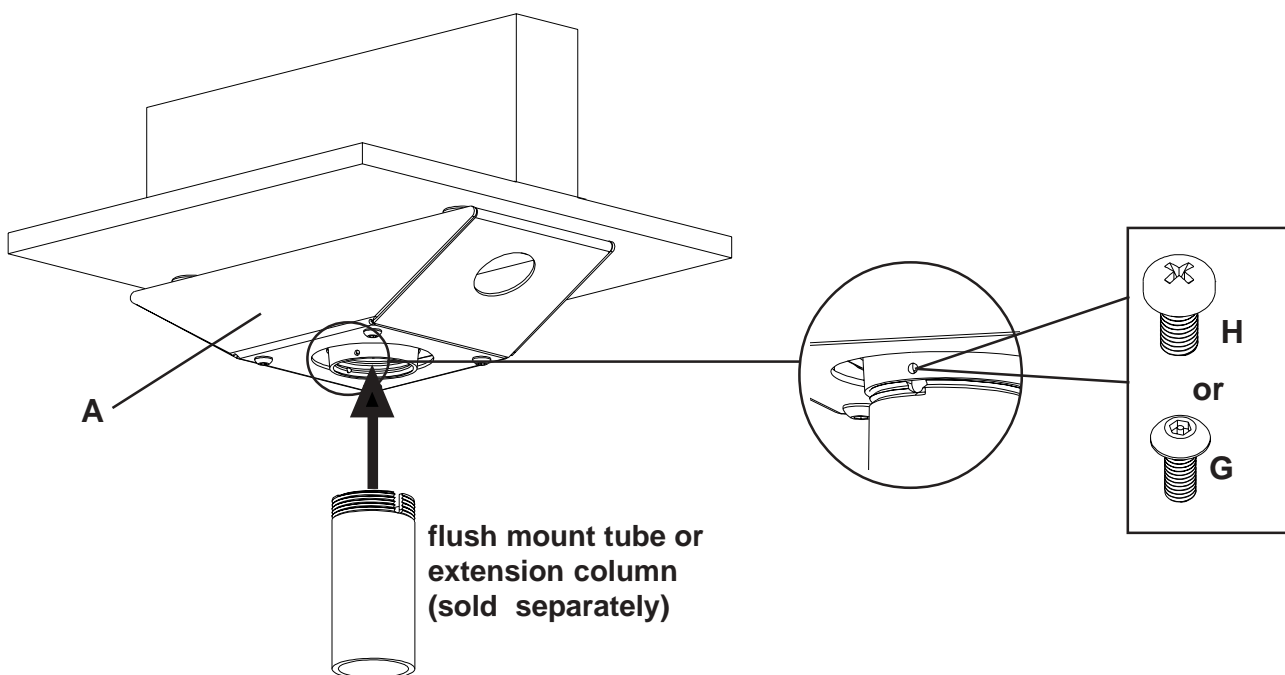
- 3** FOR WOOD JOIST FINISHED CEILING, EXPOSED WOOD JOISTS, OR WOOD BEAM CEILING ONLY drill four 5/32" (4 mm) dia. holes 2 1/2" (65 mm) deep. Attach anti-vibration mount (A) using two #14 x 2.5" (6 mm x 65 mm) wood screws (D) and two plastic washers (E). **Note:** Make sure rubber bumpers (B) are firmly in place before attaching to ceiling.

⚠ WARNING

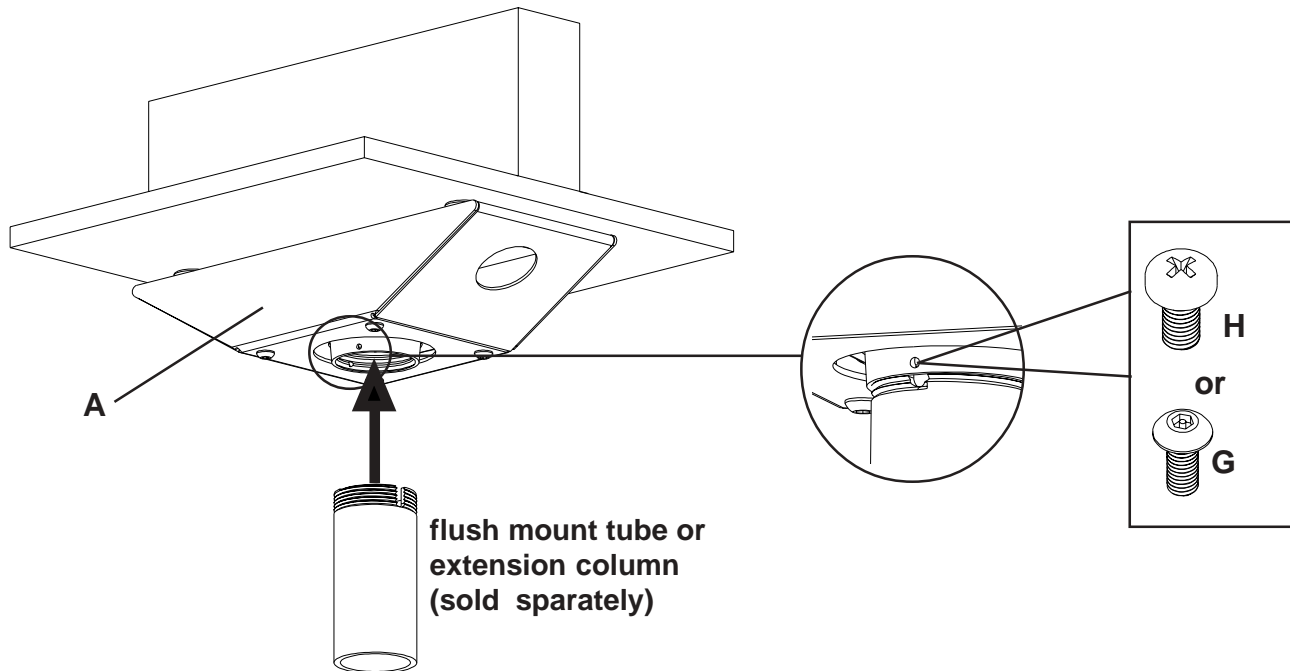
- Tighten wood screws so that anti-vibration mount is firmly attached, but do not overtighten. Overtightening can damage the screws, greatly reducing their holding power and decrease the anti-vibrational effectiveness!
- Tighten to 30-40 in • lb (3.4 - 4.5 N.M.) maximum torque.
- Make sure that mounting screws are anchored into the center of the joist. The use of an "edge to edge" stud finder is highly recommended.



- 4** When attaching anti-vibration mount (A) to flush mount tube or extension column (both tube and column are sold separately), tighten at least four complete turns ending with one of the small threaded holes aligned with slot in the end of flush mount tube or extension column. Insert and tighten one M5 screw (H) to lock tube position (shown below on right side). **Note:** For security the M5 phillips screw (H) can be replaced with M5 socket-pin screws (G).



- 4** When attaching anti-vibration mount (A) to flush mount tube or extension column (both tube and column are sold separately), tighten at least four complete turns ending with one of the small threaded holes aligned with slot in the end of flush mount tube or extension column. Insert and tighten one M5 screw (H) to lock tube position (shown below on right side). **Note: For security the M5 philips screw (H) can be replaced with M5 socket-pin screws (G).**



- 5** Place one finishing cap (C) on each end of anti-vibration mount (A).

OPTIONAL: Place grommet (F) on anti-vibration mount (A) and place one finishing cap (C) on other end of anti-vibration mount (A). Route cords through extension column and out cord management holes in anti-vibration mount (A). **Note: If using Vector Pro projector mounts, you will need accessory ACC 800 to route cords through column.**

