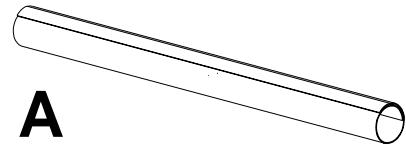


IMPORTANT! Read entire instruction sheet before you start installation and assembly.

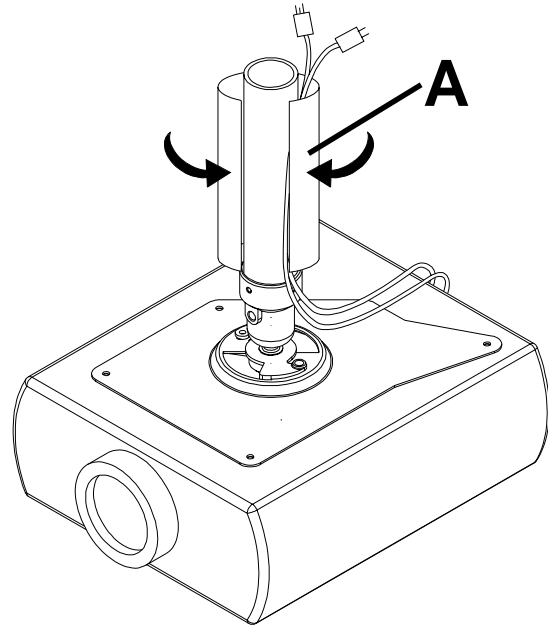
Parts List

Description	Qty.	Part Number
A 2' coiled cord wrap, black (ACC 852 only)	4	590-1125
2' coiled cord wrap, white (ACC 852W only)	4	590-2125
2' coiled cord wrap, silver (ACC 852S only)	4	590-4125
6' coiled cord wrap, black (ACC 856 only)	4	590-1126
6' coiled cord wrap, white (ACC 856W only)	4	590-2126

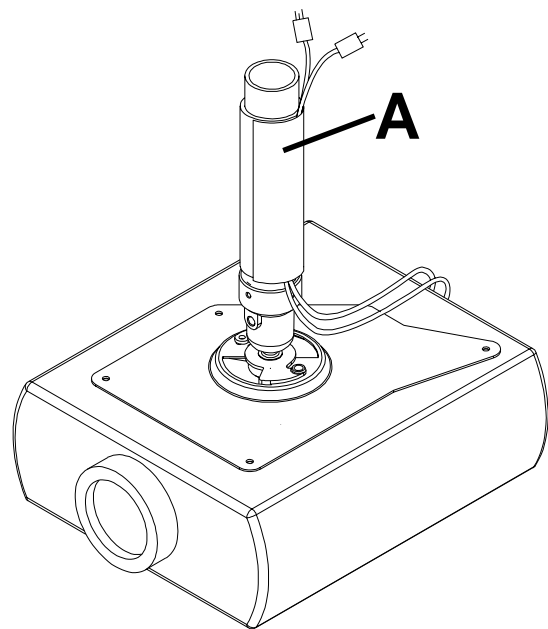
Note: Actual parts may appear slightly different than illustrated.



- 1 Run cords externally along the pipe. Uncoil the cord wrap (A) and place around the cords and pipe.



- 2 Make sure flaps from cord wrap (A) overlap each other. For finished look, turn cord wrap until the seam is facing away from view.



205 Westwood Ave, Long Branch, NJ 07740
 Phone: 866-94 BOARDS (26273) / (732)-222-1511
 Fax: (732)-222-7088 | E-mail: sales@touchboards.com