

Installation and Assembly - A/V Component Shelf Accessory Bracket Connects DS and VPM component shelves to SA752, SA761, SA763 or SA771 articulating wall mounts

Models: ACC951

Max Load Capacity: 30 lb (13.7 kg)*

*Combined load of equipment, hardware and components is not to exceed max load capacity of wall arm (sold separately)

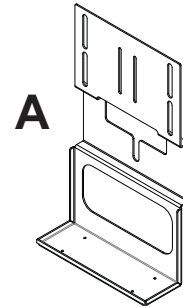
IMPORTANT! Read instruction sheet before you start installation and assembly.

Before you start make sure all parts listed are included with your product.

Parts List

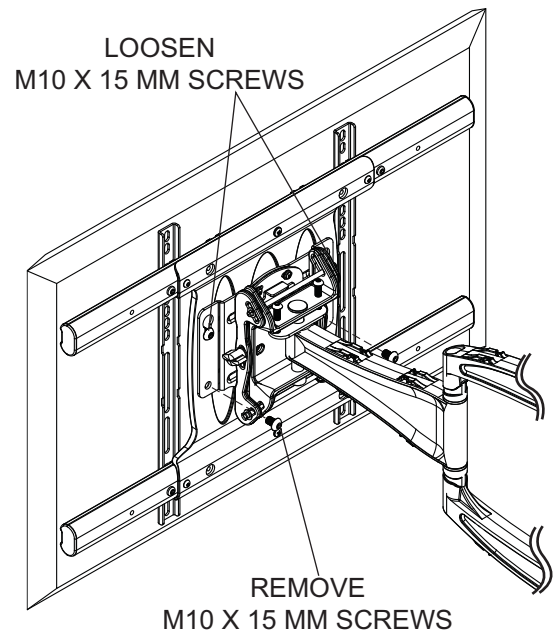
Description	Qty.	Part #
A accessory bracket	1	201-P1746

Some parts may appear slightly different than illustrated.

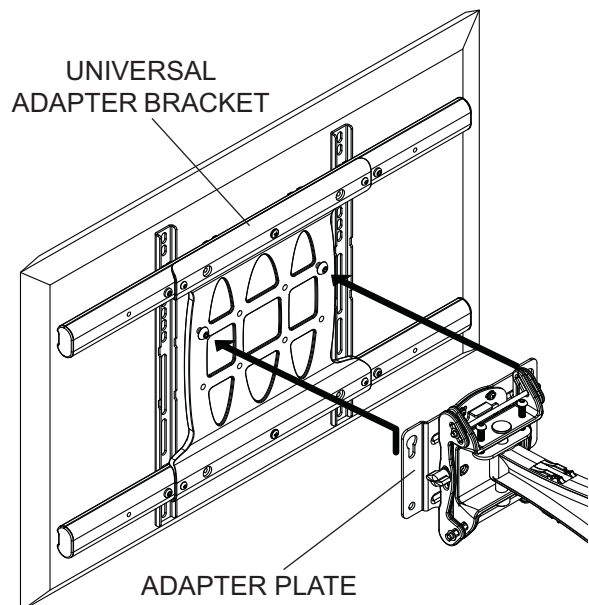


- If wall arm (sold separately) has not been mounted, skip to step 3 on page 2.

Remove two M10 x 15 mm screws from bottom holes of adapter plate. Loosen two M10 x 15 mm screws from top holes of adapter plate.

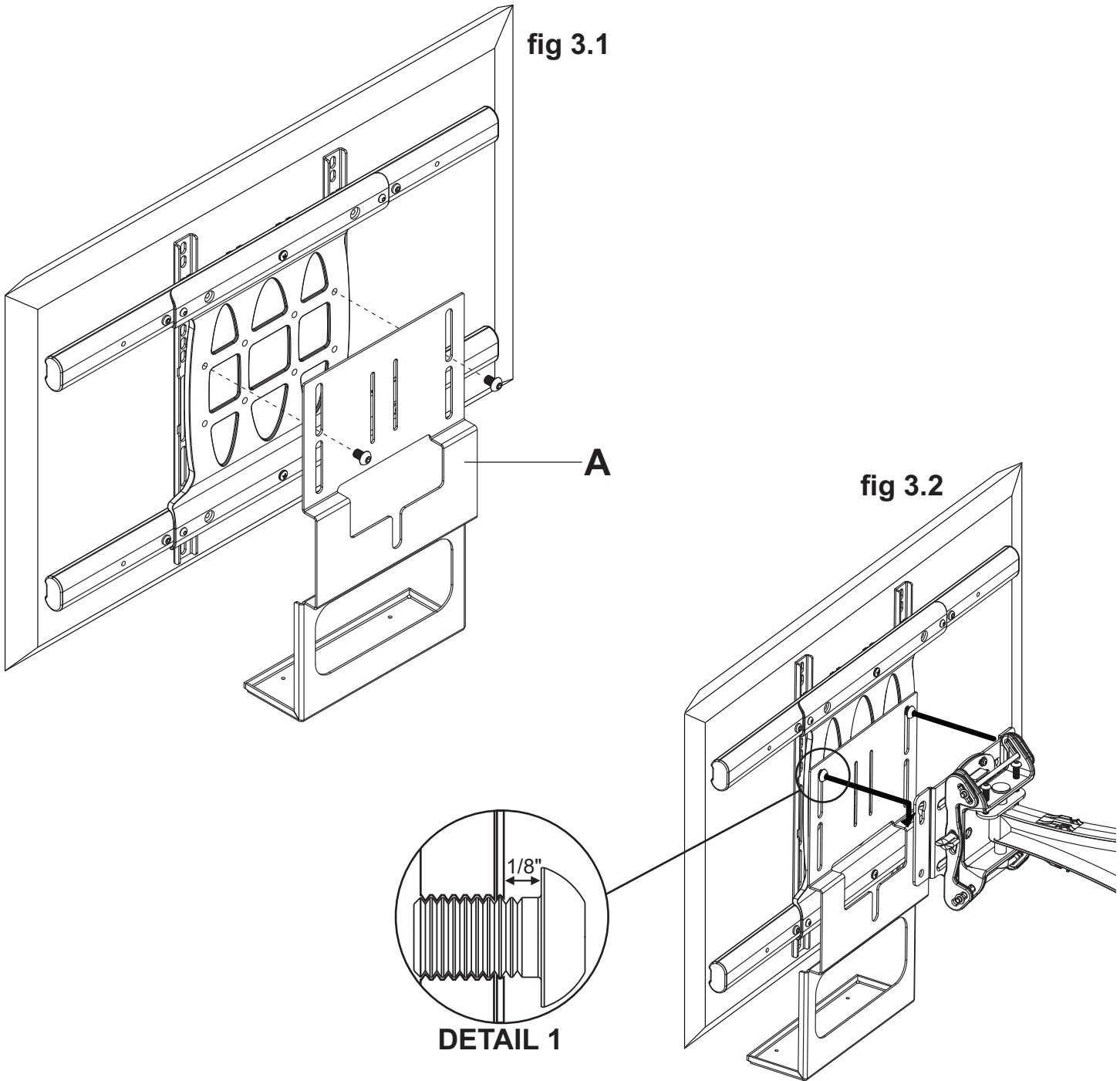


- Unhook universal or dedicated adapter bracket from adapter plate.



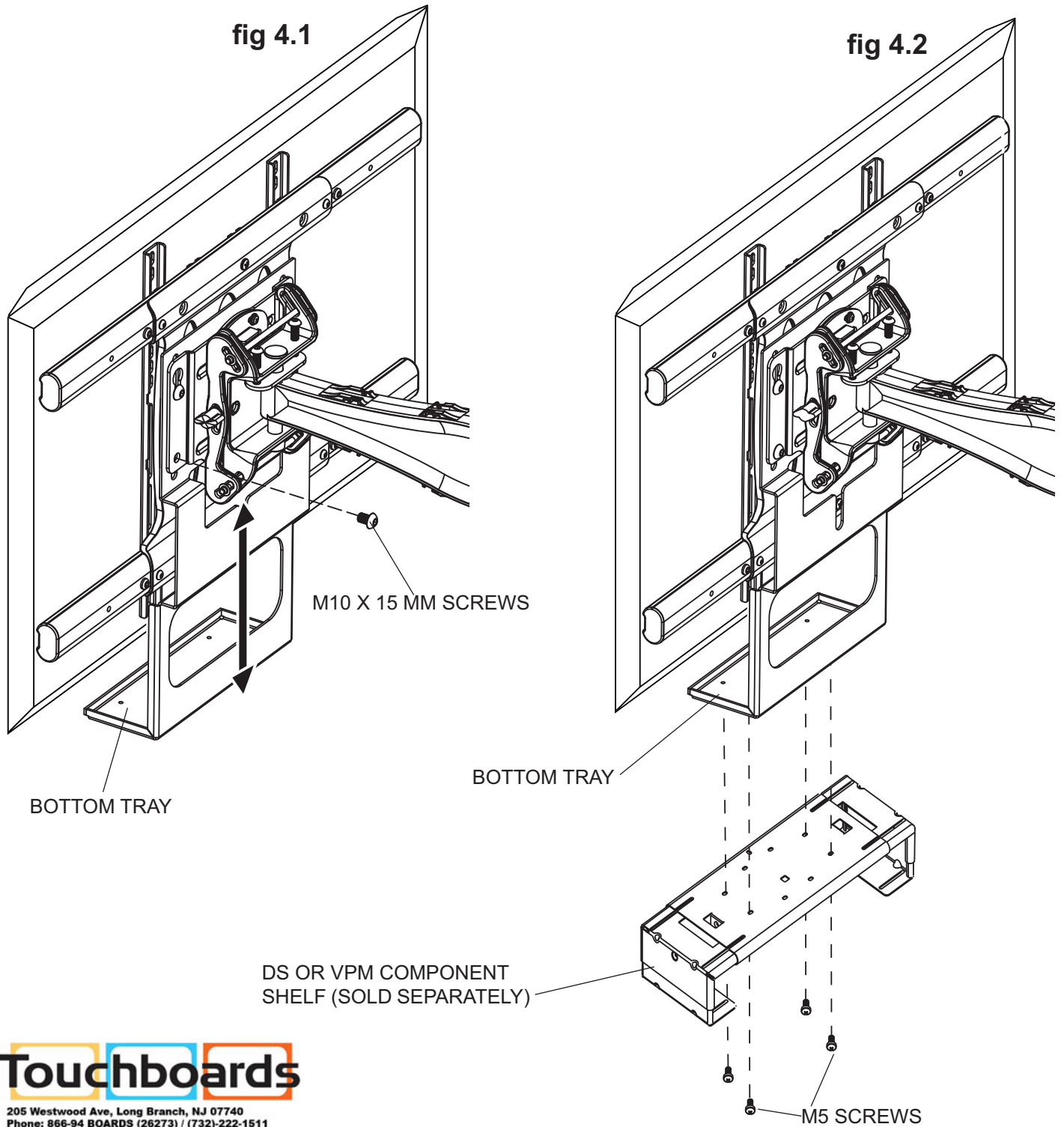
205 Westwood Ave, Long Branch, NJ 07740
Phone: 866-94 BOARDS (26273) / (732)-222-1511
Fax: (732)-222-7088 | E-mail: sales@touchboards.com

- 3** Remove two M10 x 15 mm socket screws from universal adapter bracket. Hand thread two M10 x 15 mm socket screws through top slots of accessory bracket (A) into top holes of universal adapter bracket as shown in figure 3.1 leaving 1/8" of exposed thread as shown in detail 1.
- Hook socket screws onto universal adapter bracket as shown in figure 3.2.



- 4** Insert two M10 x 15 mm socket screws into bottom mounting holes of adapter plate as shown in figure 4.1. Adjust accessory bracket (A) so bottom tray touches bottom of display and tighten all fasteners using a 6 mm allen wrench included with wall arm.

Attach DS or VPM component shelf (sold separately) to bottom tray using M5 screws included with DS or VPM component shelf as shown in figure 4.2.



Touchboards

205 Westwood Ave, Long Branch, NJ 07740
Phone: 866-94 BOARDS (26273) / (732)-222-1511
Fax: (732)-222-7088 | E-mail: sales@touchboards.com