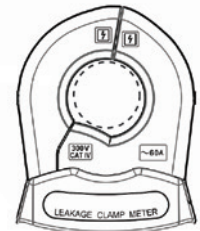


LEAKAGE CURRENT METERS & PROBES

TRMS CLAMP-ON LEAKAGE CURRENT METER

MODEL 566

Designed to measure low AC currents, which are typically leakage currents in ground conductors



Jaw Opening: .91" (23mm)



SPECIFICATIONS

MODEL	566	
ACmA Current (TRMS, Auto-Ranging)		
Resolution	6mA 60mA 600mA	0.001mA (1µA) 0.01mA (10µA) 0.1mA (100µA)
Accuracy	50 to 60Hz (6mA) 50 to 60Hz (60mA & 600mA) 60 to 500Hz (6mA) 60 to 500Hz (60mA & 600mA)	±1.0% of Reading ±8cts ±1.0% of Reading ±5cts ±2.0% of Reading ±8cts ±2.0% of Reading ±5cts
AC Current (TRMS, Auto-Ranging)		
Resolution	6A 60A	1mA 10mA
Accuracy	50 to 60Hz 60 to 500Hz	±1.0% of Reading ±5cts ±2.0% of Reading ±5cts
AC Voltage (TRMS)		
Accuracy	60V 600V	±1.0% of Reading ±3cts
DC Voltage		
Resolution	60V 600V	0.01V 0.1V
Accuracy	60V 600V	±1.0% of Reading ±2cts
Resistance	0 to 1kΩ	
Accuracy	±1.0% of Reading ±2cts	
CONTINUITY Buzzer activates <45Ω (0 to 1kΩ)		
Frequency (Auto-Ranging)		
Function	A-Hz	V-Hz
Resolution	0 to 100Hz 100Hz to 1kHz	0.1Hz 1Hz
Sensitivity	10mArms min	5Vrms min
Accuracy	±0.5% of Reading ±2cts	
Filter	On (50/60Hz only); Off (full frequency range)	
MAX Sample Rate	100mS	
MECHANICAL		
Jaw Opening Max Conductor Size	0.91" (23mm)	
Weight	10.4 oz (296g) with batteries	
Power Source	Two 1.5V AAA batteries (included)	
ENVIRONMENTAL		
Operating Temperature	32° to 104°F (0° to 40°C); < 80% RH (non-condensing)	
SAFETY		
Safety Rating	EN 61010-1, EN 61010-2-032, 600V Cat. III	

Consult factory for NIST Calibration prices

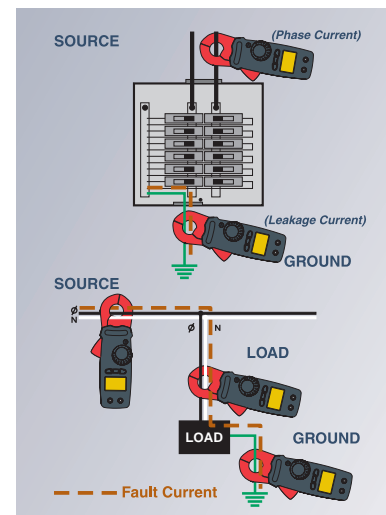
PRODUCT INCLUDES

Soft carrying case, (2) color-coded (red/black) 5 ft test leads, (2) 1.5V AAA (LR03) batteries and a user manual.



FEATURES

- Check for leakage and locate insulation breakdowns on live circuits
- Measures leakage current down to 0.001mA with up to 1µA resolution
- Measures current up to 60Arms
- Measures up to 600Vac/dc
- Measures Hz on either V or A inputs
- Measures resistance and continuity
- Hold feature freezes value
- MAX feature keeps track of highest measured in-rush value
- Zero button ideal for measuring relative values
- Low pass filter to isolate 50/60Hz fundamental from harmonics
- Compatible with VDE 0404
- Backlight LCD display



CATALOG NO.	DESCRIPTION
2139.83	TRMS Clamp-on Leakage Current Meter Model 566 (6/60/600mA, 1/10/100A, 600Vac/dc, Hz, Ohms, Continuity)

