

# AC Current Probe Model JM861



The Model JM861 is a high performance AC current probe for higher currents. Excellent transformation and low phase shift, plus a broad frequency response, permit accurate measurements of current and power. The high quality magnetic core and uniform windings provide for accurate measurements up to 3000Aac. The “squared” jaw permits multiple conductor or bus bar positioning. The Model JM861 provides excellent True RMS capabilities and reliable signal reproduction.

The Model JM861 is designed for oscilloscopes, waveform displaying instruments and other instruments able to benefit from its frequency response. The Model JM861 encompasses a special circuit and three ranges to maximize frequency response performance.

## Features

- Oscilloscope current probe for applications in industrial and power environments
- Analyze, measure and accurately display distorted current waveforms and harmonics
- Nominal range: 30A, 300A, 3000A
- Output: 10mV/Aac, 1mVAac, 0.1mV/Aac
- Large jaw window for use on cables and bus bars
- Direct BNC connection to scope

## Applications

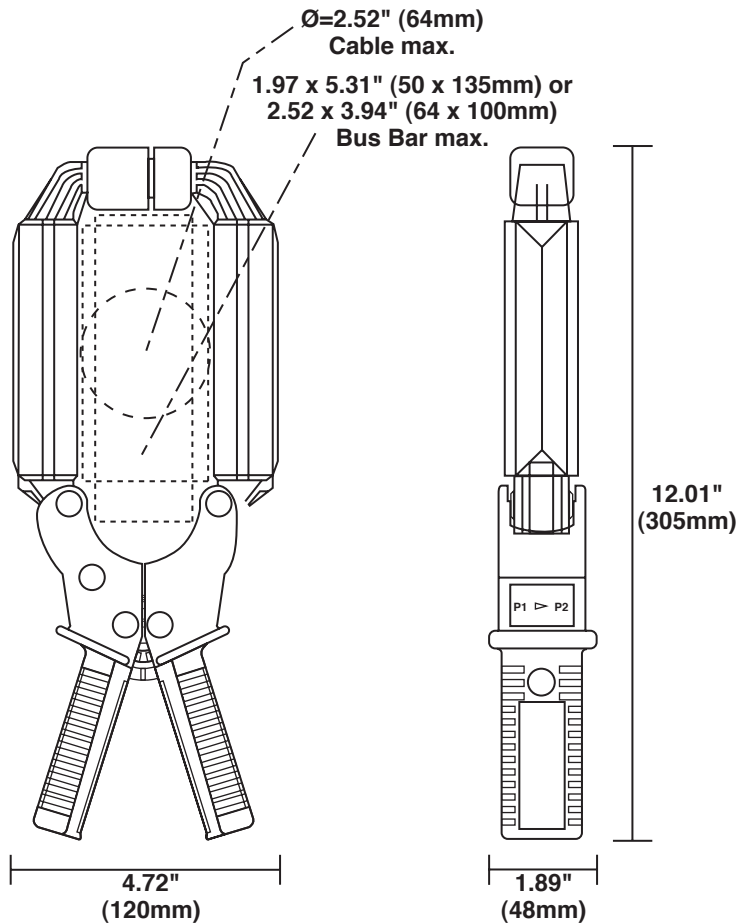
- Field testing
- Electrical utility
- HVAC
- Industrial maintenance
- Laboratory
- Plant maintenance
- Power quality

# Specifications

MODELS	JM861
<b>ELECTRICAL</b>	
Nominal Range	30A, 300A, 3000A
Measurement Range	90A, 900A, 9000A Peak
Transformation Ratio	Voltage output
Output Signal	10mVAC/AAC (0.3V @ 30A) 1mVAC/AAC (0.3V @ 300A) 0.1mVAC/AAC (0.3V @ 3000A)
Accuracy (30A Range)	
1.5A	2% of Reading ± 1mV
6A	2% of Reading ± 1mV
30A	2% of Reading ± 1mV
Phase Shift (30A Range)	
1.5A	20°
6A	10°
30A	5°
Accuracy (300A Range)	
15A	2% of Reading ± 0.5mV
60A	2% of Reading ± 0.5mV
300A	2% of Reading ± 0.5mV
Phase Shift (300 A Range)	
15A	3°
60A	1.5°
300A	1°
Accuracy (3000A Range)	
150A	2% of Reading ± 0.2mV
600A	2% of Reading ± 0.2mV
3000A	2% of Reading ± 0.2mV
Phase Shift (3000A Range)	
150A	3°
600A	1.5°
3000A	1°
Overload	–
Frequency Range	10 to 50kHz; current derating above 5kHz for continuous use
Load Impedance	1MΩ, 47pF
Working/Common Mode Voltage	600VAC
Output Termination	6.5 ft coaxial cable
<b>MECHANICAL</b>	
Operating Temperature	14° to 122°F (-10° to 50°C)
Storage Temperature	-13° to 176°F (-25° to 80°C)
Jaw Opening	3.54" (90mm)
Maximum Conductor Size	Cable: 2.52" Ø max (64mm); Bus bar: 1.97 x 5.31" (50 x 135mm); 2.52 x 3.94" (64 x 100mm)
Dimensions	4.72 x 12.40 x 1.89" (120 x 315 x 48mm)
Weight	2.65 lbs (1200g)
Polycarbonate Material	Handles: 10% fiberglass charged polycarbonate UL94 V0; Jaws: ABS UL V2
<b>SAFETY</b>	
Electrical	EN61010-2-32
Electromagnetic Compatibility	EN 50081-1 Class B; EN 50082-2 Electrostatic discharge IEC 1000-4-2; Radiated field IEC 1000-4-3; Fast transients IEC 1000-4-4; Magnetic field at 50/60Hz IEC 1000-4-4
Double Insulation <input type="checkbox"/>	Yes
CE Mark	Yes

Note: Reference conditions:

23°C ± 3°K, 20 to 85% RH, 48 to 65Hz, external magnetic field <40A/m, no DC component, no external current carrying conductor, test sample centered, load impedance ≥ 1nΩ, 47pF.



**Lead with BNC:**  
 Insulated 6.5 ft  
 (2m) coaxial cable  
 with insulated BNC  
 connector rated  
 600Vrms

## ORDERING INFORMATION

## CATALOG NO.

**AC Current Probe Model JM861** (BNC – 10mV/A 90A Peak; 1mV/A – 900A Peak; 0.1mV/A – 9000A Peak) . . **Cat. #2110.90**

Includes a user manual

### Accessories (Optional)

Banana/BNC Connector XF-SS (4mm banana plug) . . . . . **Cat. #2111.32**

## Contact Us

### United States and Canada:

Chauvin Arnoux<sup>®</sup>, Inc.  
d.b.a. AEMC<sup>®</sup> Instruments  
200 Foxborough Blvd.  
Foxborough, MA 02035 USA  
(508) 698-2115 • Fax (508) 698-2118  
[www.aemc.com](http://www.aemc.com)

**Customer Support – for placing an order, obtaining price and delivery:**  
[customerservice@aemc.com](mailto:customerservice@aemc.com)

**Sales Department – for general sales information:**  
[sales@aemc.com](mailto:sales@aemc.com)

**Repair and Calibration Service – for information on repair and calibration, obtaining a user manual:**  
[repair@aemc.com](mailto:repair@aemc.com)

**Technical and Product Application Support – for technical and application support:**  
[techinfo@aemc.com](mailto:techinfo@aemc.com)

**Webmaster – for information regarding [www.aemc.com](http://www.aemc.com):**  
[webmaster@aemc.com](mailto:webmaster@aemc.com)

### South America, Central America, Mexico, Caribbean, Australia and New Zealand:

Chauvin Arnoux<sup>®</sup>, Inc.  
d.b.a. AEMC<sup>®</sup> Instruments  
15 Faraday Drive  
Dover, NH 03820 USA  
(978) 526-7667 • Fax (978) 526-7605  
[export@aemc.com](mailto:export@aemc.com)  
[www.aemc.com](http://www.aemc.com)

### All other countries:

Chauvin Arnoux SCA  
190, rue Championnet  
75876 Paris Cedex 18, France  
33 1 44 85 45 28 • Fax 33 1 46 27 73 89  
[info@chauvin-arnoux.com](mailto:info@chauvin-arnoux.com)  
[www.chauvin-arnoux.com](http://www.chauvin-arnoux.com)