

# AC Current Probe Model MN02



The MN02 is a small, compact AC current probe. Designed to meet the most stringent demands in industry and electrical contracting, they also meet the latest safety and performance standards.

The probe has a measurement range up to 100Arms which makes it a perfect tool for measurement with DMMs and recorders.

The Model MN02 is compatible with any AC ammeter, multimeter, or other current measurement instrument with an input impedance lower than  $10\Omega$ . To achieve the stated accuracy, use the probe with an ammeter having an accuracy of 0.75% or better.

## Features

- Small, compact size
- Measurement ranges of 50mA to 100A ( $1\Omega$  load)  
50mA to 90A ( $10\Omega$  load)
- Jaw opening accommodates conductors up to 0.39" diameter
- Designed for DMMs, loggers, recorders and oscilloscopes
- 48 to 10,000Hz frequency range
- 1mA/A from  $1\Omega$  to  $10\Omega$  output signals
- Designed to EN61326-1, 300V CAT IV, 600V CAT III safety standard
- Double Insulation
- CE Mark

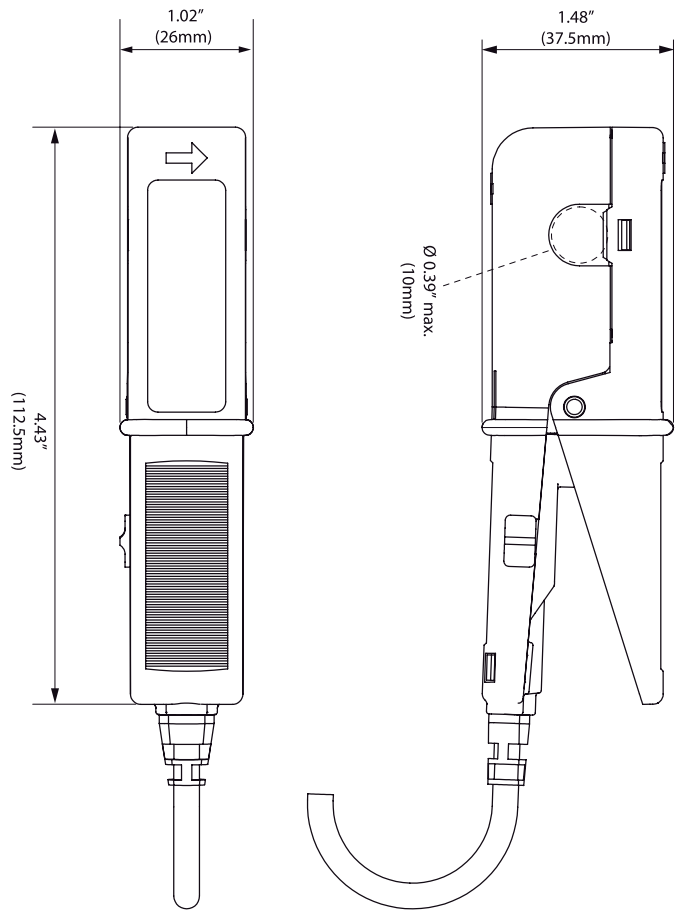
## Applications

- Measuring in breaker panels
- Industrial loads
- HVAC
- Residential and commercial sites
- Data logging/recording
- General AC current measurements

## Specifications

MODEL	MN02
<b>ELECTRICAL</b>	
Range	100A
Measurement Range	50mA to 100A (1Ω load) 50mA to 90A (10Ω load)
Accuracy in %	≤ 1% Reading ± 0.02A (1Ω load) ≤ 1.5% Reading ± 0.01A (10Ω load)
Phase Shift	Not specified
Output Signal	1mA/A from 1Ω to 10Ω
Load Impedance	≤10Ω
Maximum Currents	1 < 150A permanent from 48Hz to 500Hz
Influence of Temperature	≤ 0.2% per 10°K
Influence of Adjacent Conductor	≤ 2mA/A at 50Hz
Influence of Adjacent Conductor Position in Jaws	≤ 0.1% at 50/60Hz
Influence of Frequency	≤ 2% from 65Hz to 500Hz
Maximum Output Voltage (secondary open)	≤ 30V
<b>MECHANICAL</b>	
Operating Temperature	14° to 122°F (-10° to +50°C)
Storage Temperature	-40° to 176°F (-40° to +80°C)
Operating Relative Humidity	0 to 85% RH decreasing linearly above 35°C
Operating Altitude	0 to 2000m
Casing Protection Rating (weatherproofing)	IP 40 (IEC 529)
Drop	4.92 ft (1.5m) (IEC 68-2-32)
Shock Protection	3.52 oz (100g)/6ms/half-period (IEC 68-2-27)
Self-extinguishing Capability	casing UL94 V2
Vibration Resistance	IEC 68-2-6
Dimensions	4.43 x 1.48 x 1.02" (112.5 x 37.5 x 26mm)
Weight	6.5 oz (180g)
<b>SAFETY</b>	
Electrical	EN61326-1, 300V CAT IV, 600V CAT III, Pollution Degree 2
Double Insulation <input type="checkbox"/>	Yes
CE Mark	Yes

(1) Conditions of reference: 18°C to 28°C, 20 to 75% RH, external magnetic field <40 A/m, 48 to 65 Hz sine wave, distortion factor less than 1%, no DC component, no external current carrying conductor, test sample centered. Load impedance 1Ω or 10Ω.



**Safety Leads:**  
 Double/reinforced insulated 5 ft (1.5m) lead with 4mm safety banana plug

<b>ORDERING INFORMATION</b>	<b>CATALOG NO.</b>
<b>AC Current Probe Model MN02</b> (100A, 1mA/A, Lead, 1% Accuracy).....	<b>Cat. #2129.20</b>
Includes a user manual	
<b>Accessories (Optional)</b>	
Adapter - 4mm Non-insulated for Safety Leads.....	Cat. #1017.45

## Contact Us

### United States & Canada:

Chauvin Arnoux<sup>®</sup>, Inc.  
d.b.a. AEMC<sup>®</sup> Instruments  
200 Foxborough Blvd.  
Foxborough, MA 02035 USA  
(508) 698-2115 • Fax (508) 698-2118  
[www.aemc.com](http://www.aemc.com)

**Customer Support – for placing an order, obtaining price & delivery:**  
[customerservice@aemc.com](mailto:customerservice@aemc.com)

**Sales Department – for general sales information:**  
[sales@aemc.com](mailto:sales@aemc.com)

**Repair and Calibration Service – for information on repair & calibration, obtaining a user manual:**  
[repair@aemc.com](mailto:repair@aemc.com)

**Technical and Product Application Support – for technical and application support:**  
[techinfo@aemc.com](mailto:techinfo@aemc.com)

**Webmaster – for information regarding [www.aemc.com](http://www.aemc.com):**  
[webmaster@aemc.com](mailto:webmaster@aemc.com)

### South America, Central America, Mexico, Caribbean, Australia & New Zealand:

Chauvin Arnoux<sup>®</sup>, Inc.  
d.b.a. AEMC<sup>®</sup> Instruments  
15 Faraday Drive  
Dover, NH 03820 USA  
(978) 526-7667 • Fax (978) 526-7605  
[export@aemc.com](mailto:export@aemc.com)  
[www.aemc.com](http://www.aemc.com)

### All other countries:

Chauvin Arnoux<sup>®</sup> SCA  
190, rue Championnet  
75876 Paris Cedex 18, France  
33 1 44 85 45 28 • Fax 33 1 46 27 73 89  
[info@chauvin-arnoux.com](mailto:info@chauvin-arnoux.com)  
[www.chauvin-arnoux.com](http://www.chauvin-arnoux.com)