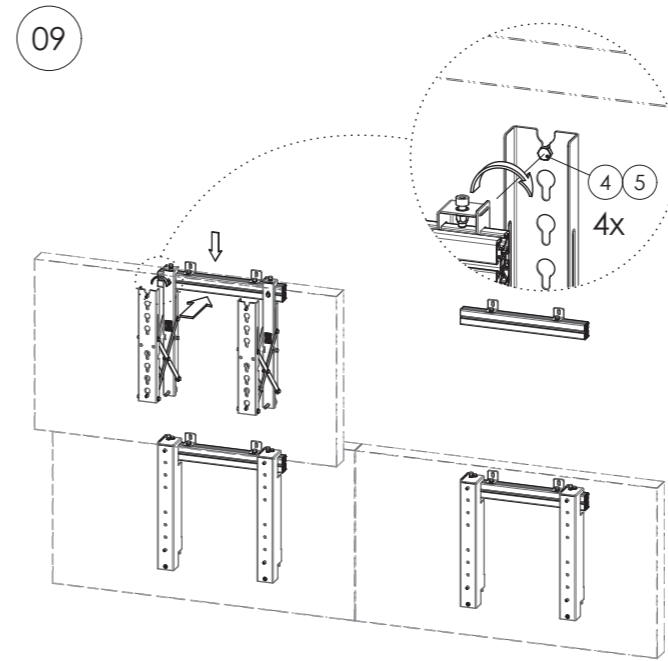
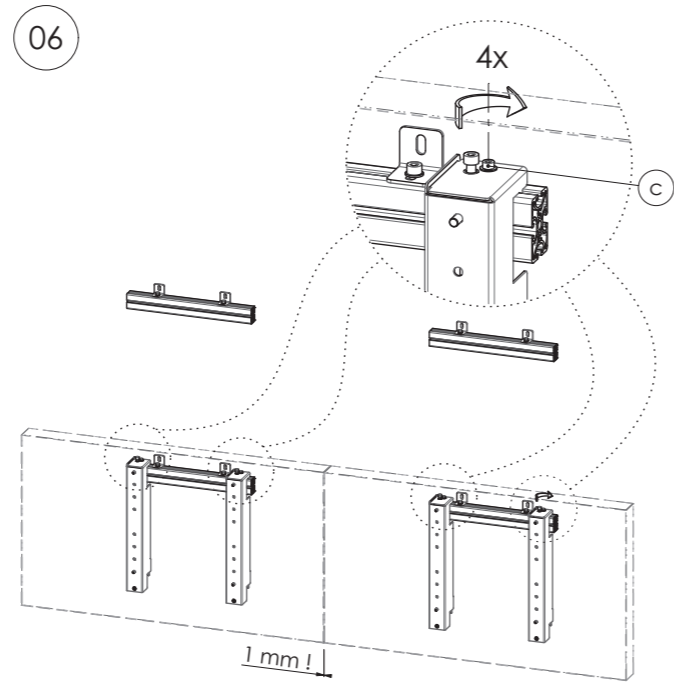
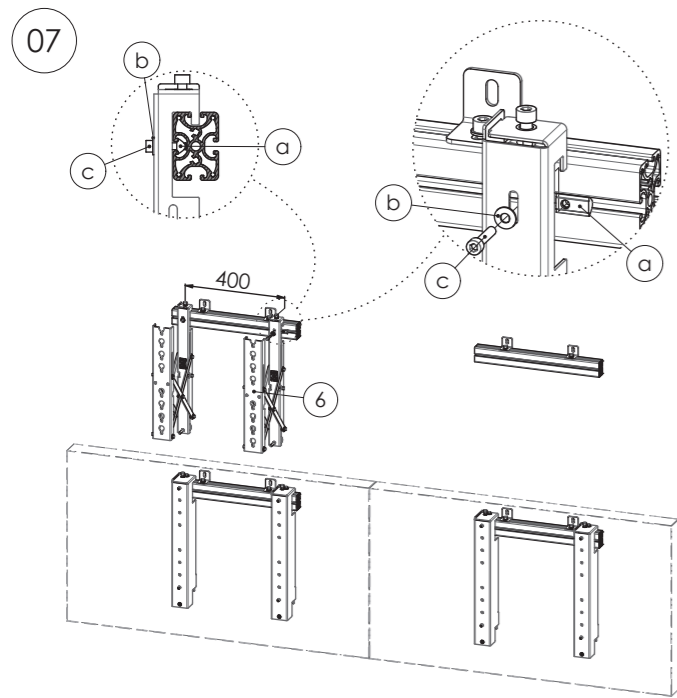
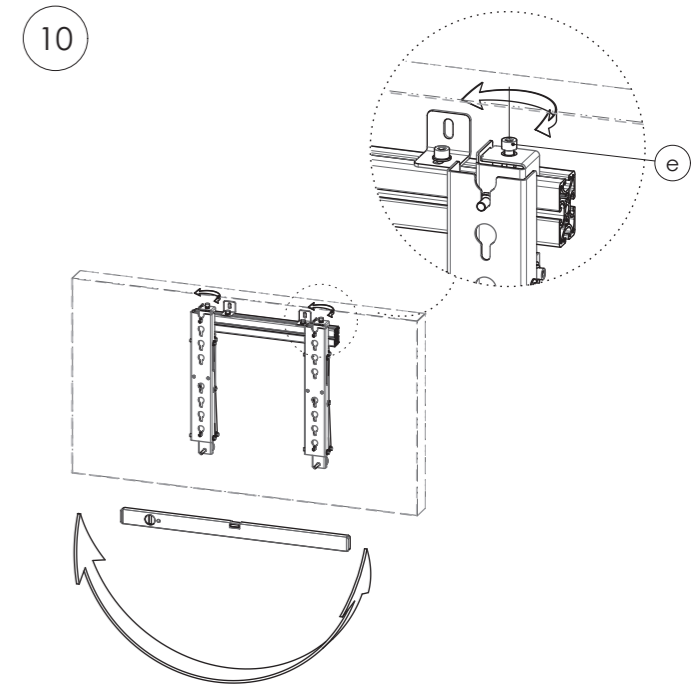


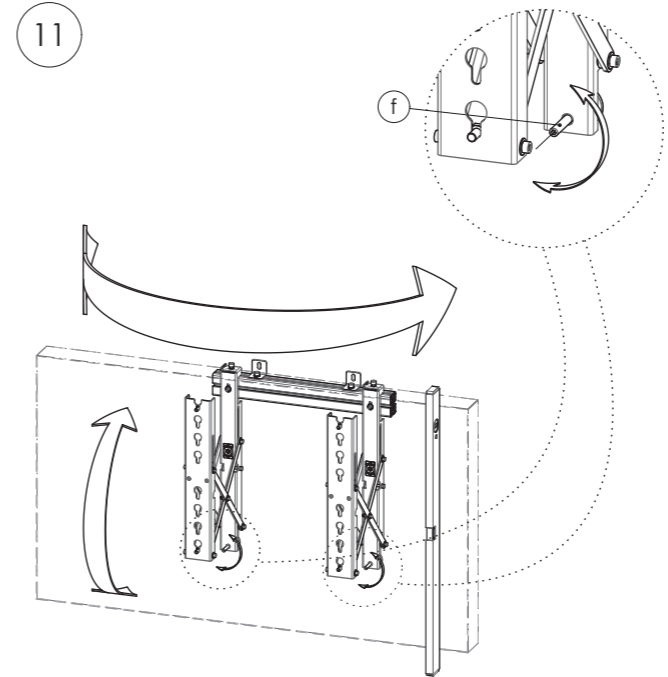
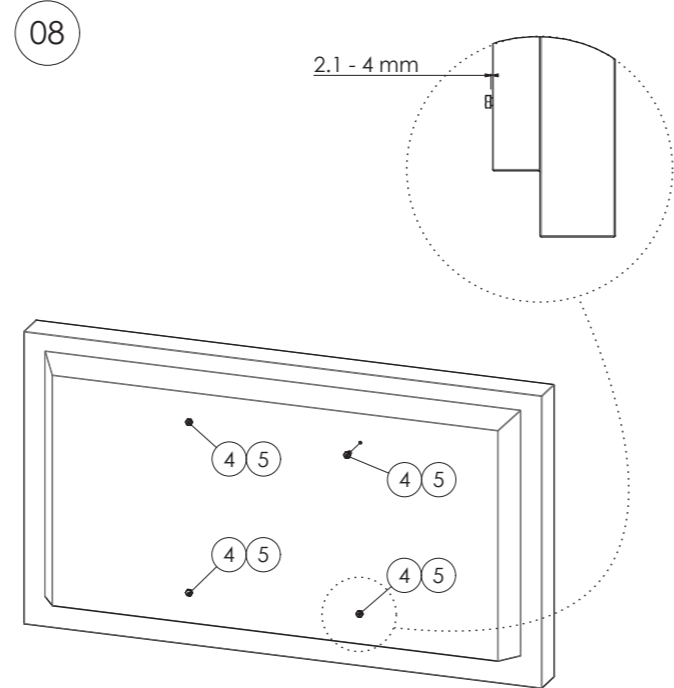
Place the screen(s) in the center of the aluminium profile. Adjust vertical positions by slightly turning screw (d) or balance horizontality by adjusting screw (e). If installation is perfect, fix the brackets at the profile by screw (c). For sidewall installation keep a clearancy of 1mm between the screens.



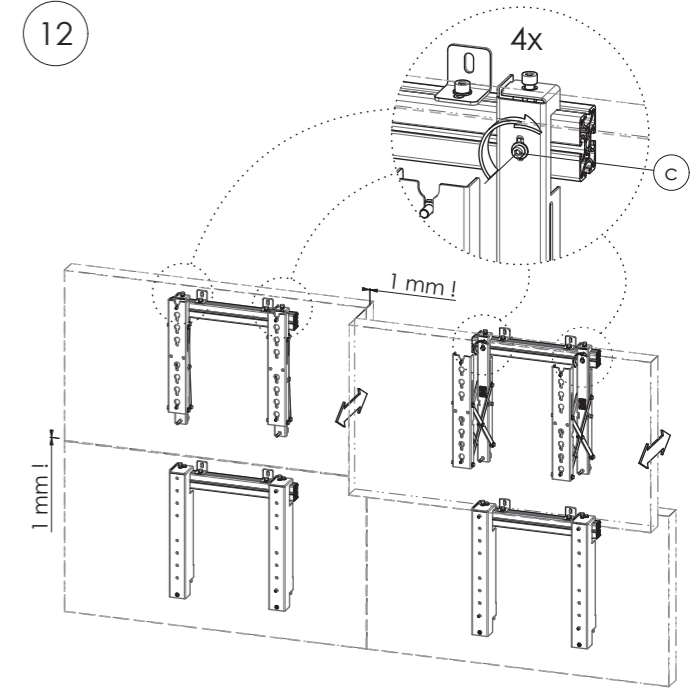
VWM-02: After hanging screen(s) on pushed-out brackets (6) tight-up screws (4) or (5). Keep a distance of 1 mm between 2 screens. Check horizontal positions and fine-tune it by turning screw (e).



VWM-02: Hook the brackets (6) to the aluminium profile. Place bolt (a) with associated washer in the sliding nut, fix bracket with bolt (c) into the washer through (b) but do not tighten. Place the two brackets (6) with a horizontal distance according to the width of the VESA and push slightly on the brackets (6) so they push out. Hang the display in the open bracket (6) by gliding the screws (4) or (5) into the key holes.



Check vertical position in the push-open and push-closed position and be aware of the 1 mm free space when opening and closing the brackets. Push the screen, mounted on a VWM-02, by pressing against the indicated positions until a slight click is heard. The screen is now locked in the closed position. Turn screws (c) to tight-up the mounts. Hang the remaining screens by repeating the steps 4 until 10. Consider a spacing between the screens of about 1mm.



**Replace screen**  
 Press on the screen until a slight click is heard. The screen is now unlocked and will come forward when loosening pressure. Sufficiently loosen the screws (4) or (5) at the rear of the screen, so that the screen can be lifted out of the keyholes. Remove the screen from the "Push to Open" modules and if needed replace it with a new screen. Tighten the bolts (from Step A) again. Push on the screen until a slight click is heard. The screen is locked in the closed position. If a display on the lowest profile needs service, then only press on the screen above until a slight click is heard. Now release bolt (a) and lift slightly the lower display off the profile. By using VMW-01 and VMW-02 in a combination, only the defect display needs to be uninstalled.