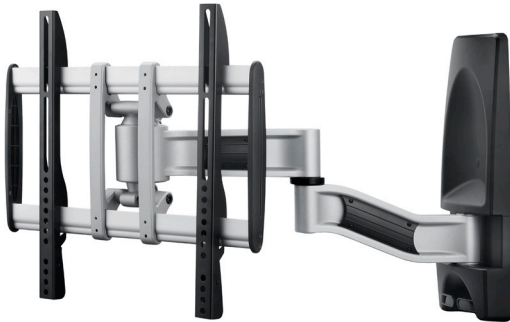


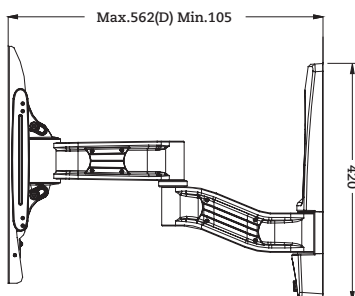
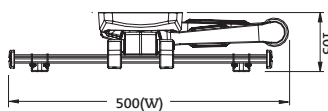
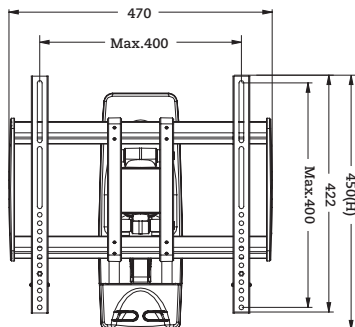
LMA-01



Enhance interaction comfort in public environments with the AG Neovo LMA-01 wall mount arm for large-sized displays.

Tilt, swivel, extend or contract the LMA-01 wall mount arm to achieve versatile viewing angles. Designed with durable materials and strong structure, it withstands frequent use in public environments. Smart cable management routes the cables to keep the appearance clean. Compliant with VESA standard, the LMA-01 accommodates ranges of display sizes larger than 32".

- > Durable design for multi-user environments
- > Smart cable management
- > Tilt up and down for 30°
- > Swivel left and right for 180°
- > Foldable arm for more viewing angles
- > Compatible with VESA standard (Max. 400 x 400 mm)
- > Weight capacity: 35 kg



Specifications

Mounting	VESA Standard	Max. 400 x 400 mm
Loading	Weight Capacity	35 kg (77.2 lbs)
Adjustment	Swivel	- 90° ~ + 90°
	Tilt	- 15° ~ + 15°
Extension	Max. Distance to Wall	562 mm (22.1")
	Min. Distance to Wall	105 mm (4.1")
Exterior	Material	Steel, Aluminium alloy, Plastic
	Colour	Black & Silver
Dimensions	Net (W x H x D)	500 x 450 x 105 mm (19.7" x 17.7" x 4.1")
	Packing (W x H x D)	624 x 124 x 460 mm (24.6" x 4.9" x 18.1")
Weight	Net Weight	8.3 kg (18.4 lbs)
	Gross Weight	9.3 kg (20.4 lbs)
Packing	1 Carton	1 set
	1 Pallet	64 sets