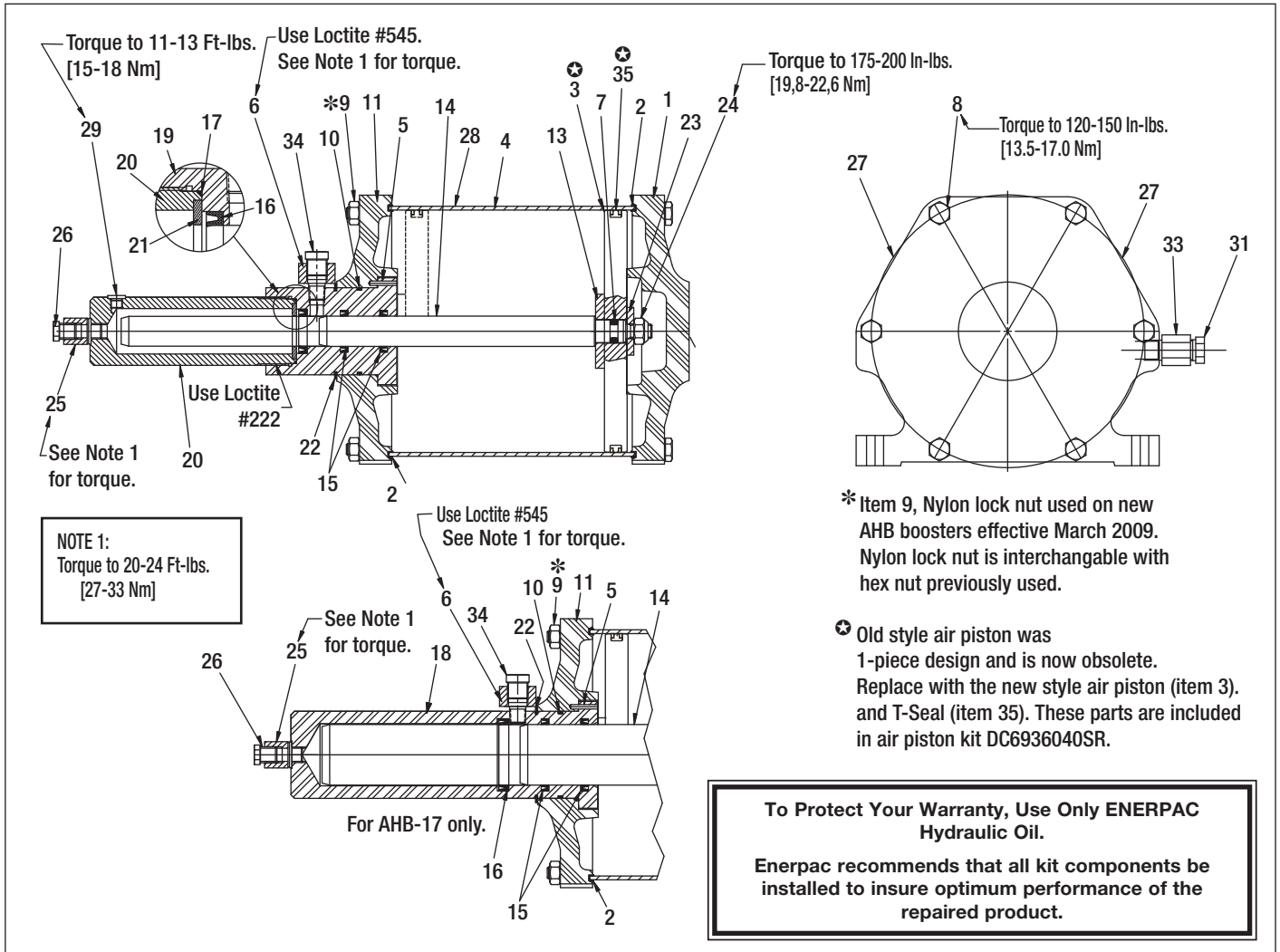


L2158 Rev. G 04/16

For Date Codes Beginning with the Letter "O"



Repair Parts List

| Item | AHB17 / AHB17V | AHB34 / AHB34V | AHB46 / AHB46V | AHB66 / AHB66V | Qty. | Description |
|------|----------------|----------------|----------------|----------------|------|----------------------|
| 1 | CZ447020 | CZ447020 | CZ447020 | CZ447020 | 1 | End Cap (Rear) |
| 2 | ** CM458041 | ** CM458041 | ** CM458041 | ** CM458041 | 2 | Channel Seal |
| 3 | + DC6936040 | + DC6936040 | + DC6936040 | + DC6936040 | 1 | Air Piston |
| 4 | C849030 | C849030 | C849030 | C849030 | 1 | Cylinder |
| 5 | CZ422061 | CZ422061 | CZ422061 | CZ422061 | 1 | Grooved Pin |
| 6 | F100095-98 | F100095-98 | F100095-98 | F100095-98 | 1 | Threaded Reducer |
| 7 | ** CZ423041 | ** CZ423041 | ** CZ423041 | ** CZ423041 | 1 | O-Ring |
| 8 | M867028 | M867028 | M867028 | M867028 | 6 | Screw |
| 9 | PA2809124 | PA2809124 | PA2809124 | PA2809124 | 6 | Hex Nut w/Nylon Lock |
| 10 | ★ B1281503 | ★ B1281503 | ★ B1281503 | ★ B1281503 | 1 | O-Ring |
| | * B1146203 | * B1146203 | * B1146203 | * B1146203 | 1 | O-Ring (Viton) |
| 11 | CZ425020 | CZ425020 | CZ425020 | CZ425020 | 1 | End Cap (Front) |
| 12 | CA659025 | CA659025 | CA659025 | CA659025 | 1 | Reservoir |
| 13 | CZ442044 | CZ442044 | CZ442044 | CZ442044 | 1 | Ring |
| 14 | CZ429040 | CZ428040 | CZ427040 | CZ426040 | 1 | Plunger |

...continued...

Repair Parts List (continued)

| Item | AHB17 / AHB17V | AHB34 / AHB34V | AHB46 / AHB46V | AHB66 / AHB66V | Qty. | Description |
|------|----------------|----------------|----------------|----------------|------|--------------------|
| 15 | ★ PA1800041 | ★ PA1801041 | ★ PA1802041 | ★ PA1803041 | 2 | U-Cup |
| | * CA522041 | * CA521041 | * DA12238041 | * A8015041 | 2 | U-Cup (Viton) |
| 16 | ★ CA862041 | ★ CF379041 | ★ CZ431041 | ★ CH870041 | 1 | U-Cup (Rod) |
| 16 | * CF478041 | * CF485041 | * DA12239041 | * CH870041 | 1 | U-Cup (Rod)(Viton) |
| 17 | - | ★ B1239503 | ★ B1239503 | ★ B1239503 | 1 | O-Ring |
| | - | * B1033203 | * B1033203 | * B1033203 | 1 | O-Ring (Viton) |
| 18 | CZ432030 | - | - | - | 1 | Booster Cylinder |
| 19 | - | CZ433001 | CZ434001 | CZ435001 | 1 | Booster Cylinder |
| 20 | - | CZ436030 | CZ436030 | CZ436030 | 1 | Booster Cylinder |
| 21 | - | CZ439108 | CZ437108 | CZ438108 | 1 | Washer |
| 22 | CCA1072044-1A | CCA1072044-1A | CCA1072044-1A | CCA1072044-1A | 1 | Retaining Ring |
| 23 | CZ449044 | CZ449044 | CZ449044 | CZ449044 | 1 | Ring |
| 24 | CBE1120120-2A | CBE1120120-2A | CBE1120120-2A | CBE1120120-2A | 1 | Nut |
| 25 | DA2462092 | DA2462092 | DA2462092 | DA2462092 | 1 | Conversion Adaptor |
| 26 | A8069006 | A8069006 | A8069006 | A8069006 | 1 | Shipping Plug |
| 27 | F100026-22 | F100026-22 | F100026-22 | - | 2 | Decal |
| | F100026-22 | F100026-22 | C545026 | C545026 | 2 | Decal (Viton) |
| 28 | CH272026 | CH272026 | CH272026 | CH272026 | 1 | Caution Decal |
| 29 | - | CS236006 | CS236006 | CS236006 | 3 | Plug |
| 30 | B1219503 | B1219503 | B1219503 | B1219503 | 1 | O-Ring |
| 31 | B1052271 | B1052271 | B1052271 | B1052271 | 2 | Thread Protector |
| 33 | CW396096 | CW396096 | CW396096 | CW396096 | 2 | Fitting |
| 34 | R515245-2 | R515245-2 | R515245-2 | R515245-2 | 1 | Shipping Plug |
| 35 | + ★ B1443513 | + ★ B1443513 | + ★ B1443513 | + ★ B1443513 | 1 | T-seal |
| ★ | AHB17K | AHB34K | AHB46K | AHB66K | | Repair Kit |
| * | AHB17KV | AHB34KV | AHB46KV | AHB66KV | | Repair Kit (Viton) |
| + | DC6936040SR | DC6936040SR | DC6936040SR | DC6936040SR | | Air Piston Kit |

◆ internet: www.enerpac.com

The Netherlands, Belgium, Luxembourg, Central and Eastern Europe, Baltic States, Greece, Turkey and CIS countries
 ENERPAC B.V.
 Galvanisstraat 115, 6716 AE Ede
 P.O. Box 8097, 6710 AB Ede
 The Netherlands
 T +31 318 535 911
 F +31 318 535 848
 sales-nl@enerpac.com

ENERPAC Integrated Solutions B.V.
 Sponeistraat 15, 7554 TS Hengelo
 P.O. Box 421, 7550 AK Hengelo
 The Netherlands
 T +31 74 242 20 45
 F +31 74 243 03 38
 integratedsolutions@enerpac.com

South Africa and other English speaking African countries
 ENERPAC Africa Pty Ltd.
 No. 5 Bauhinia Avenue
 Cambridge Office Park
 Block E
 Highveld Techno Park
 Centurion 0157
 Republic of South Africa
 T: +27 12 940 0656
 sales-za@enerpac.com

United Kingdom and Ireland
 ENERPAC UK Ltd.
 5 Coopies Field
 Morpeth, Northumberland
 NE61 6JR, England
 T: +44 1670 5010 00
 sales-uk@enerpac.com

USA, Latin America and Caribbean
 ENERPAC World Headquarters +27 12
 P.O. Box 3241
 Milwaukee WI 53201-3241 USA
 N86 W12500 Westbrook Crossing
 Menomonee Falls, Wisconsin 53051
 T +1 262 293 1600
 F +1 262 293 7036
 User inquiries:
 T +1 800 433 2766
 Distributor inquiries/orders:
 T +1 800 558 0530
 F +1 800 628 0490
 Technical inquiries:
 techservices@enerpac.com
 sales-us@enerpac.com

All Enerpac products are guaranteed against defects in workmanship and materials for as long as you own them.

For the location of your nearest authorized Enerpac Service Center, visit us at www.enerpac.com

◆ e-mail: info@enerpac.com

Japan
 Applied Power Japan LTD KK
 Beeshtochi 85-7
 Kita-ku, Saitama-shi 331-0821, Japan
 T +81 48 662 4911
 F +81 48 662 4955
 sales-jp@enerpac.com

Middle East, Egypt and Libya
 ENERPAC Middle East FZE
 Office 423, LOB 15
 P.O. Box 18004, Jebel Ali, Dubai
 United Arab Emirates
 T +971 (04) 8872886
 F +971 (04) 8872887
 sales-ue@enerpac.com

Russia
 Rep. office Enerpac
 Russian Federation
 Admirala Makarova Street 8
 125212 Moscow, Russia
 T +7 495 98090 91
 F +7 495 98090 92
 sales-ru@enerpac.com

Southeast Asia, Hong Kong and Taiwan
 Actuant Asia Pte Ltd.
 83 Joo Koon Circle
 Singapore 629109
 T +65 68 63 0611
 F +65 64 84 5669
 Toll Free: +1800 363 7722
 sales-sg@enerpac.com

South Korea
 Actuant Korea Ltd.
 3Ba 717, Shihwa Industrial Complex
 Jungwang-Dong, Shihung-Shi,
 Kyunggi-Do
 Republic of Korea 429-450
 T +82 31 434 4506
 F +82 31 434 4507
 sales-kr@enerpac.com

Spain and Portugal
 ENERPAC SPAIN, S.L.
 Avda. Los Frailes, 40 - Nave C & D
 Pol. Ind. Los Frailes
 28814 Daganzo de Arriba
 (Madrid) Spain
 T +34 91 884 86 06
 F +34 91 884 86 11
 sales-es@enerpac.com

Sweden, Denmark, Norway, Finland and Iceland
 Enerpac Scandinavia AB
 Kopparlundsvägen 14,
 721 30 Västerås
 Sweden
 T +46 (0) 771 41 50 00
 scandinavianinquiries@enerpac.com

◆ e-mail: info@enerpac.com

Australia and New Zealand
 Actuant Australia Ltd.
 P.O. Box 6667, Wetherill Park, NSW 1851
 Block V Unit 3, Regents Park Estate
 391 Park Road, Regents Park NSW 2143
 Australia
 T +61 287 177 200
 F +61 297 438 648
 sales-au@enerpac.com

Brazil
 Power Packler do Brasil Ltda.
 Rua Luiz Lawrte Reid, 548
 09930-760 - Diadema (SP) - Brazil
 T +55 11 5687 2211
 Toll Free: 0800 891 5770
 vendasbrasil@enerpac.com

China (Taiwan)
 Actuant (China) Industries Co. Ltd.
 No.6 Nanjing East Road,
 Taicang Economic Dep Zone
 Jiangsu, China
 T +86 0512 5328 7500
 F +86 0512 5335 9690
 Toll Free: +86 400 885 0369
 sales-cn@enerpac.com

France, Switzerland, North Africa and French speaking African countries
 ENERPAC
 Une division d'ACTUANT France S.A.S.
 ZA de Courtaoueur
 32, avenue de la Baillie
 91140 VILLEBON YVETTE
 France
 T +33 1 60 13 68 68
 F +33 1 69 20 37 50
 sales-fr@enerpac.com

Germany and Austria
 ENERPAC GmbH
 P.O. Box 300113
 D-40401 Düsseldorf
 Willstätterstrasse 13
 D-40549 Düsseldorf, Germany
 T +49 211 471 490
 F +49 211 471 49 28
 sales-de@enerpac.com

India
 ENERPAC Hydraulics (India) Pvt. Ltd.
 No.10, Bellary Road, Sadashivanagar,
 Bangalore, Karnataka 560 080
 India
 T +91 80 3928 9000
 info@enerpac.co.in
 www.enerpac.com

Italy
 ENERPAC S.p.A.
 Via Canova 4
 20094 Corsico (Milano)
 T +39 02 4861 111
 F +39 02 4860 1288
 sales-it@enerpac.com