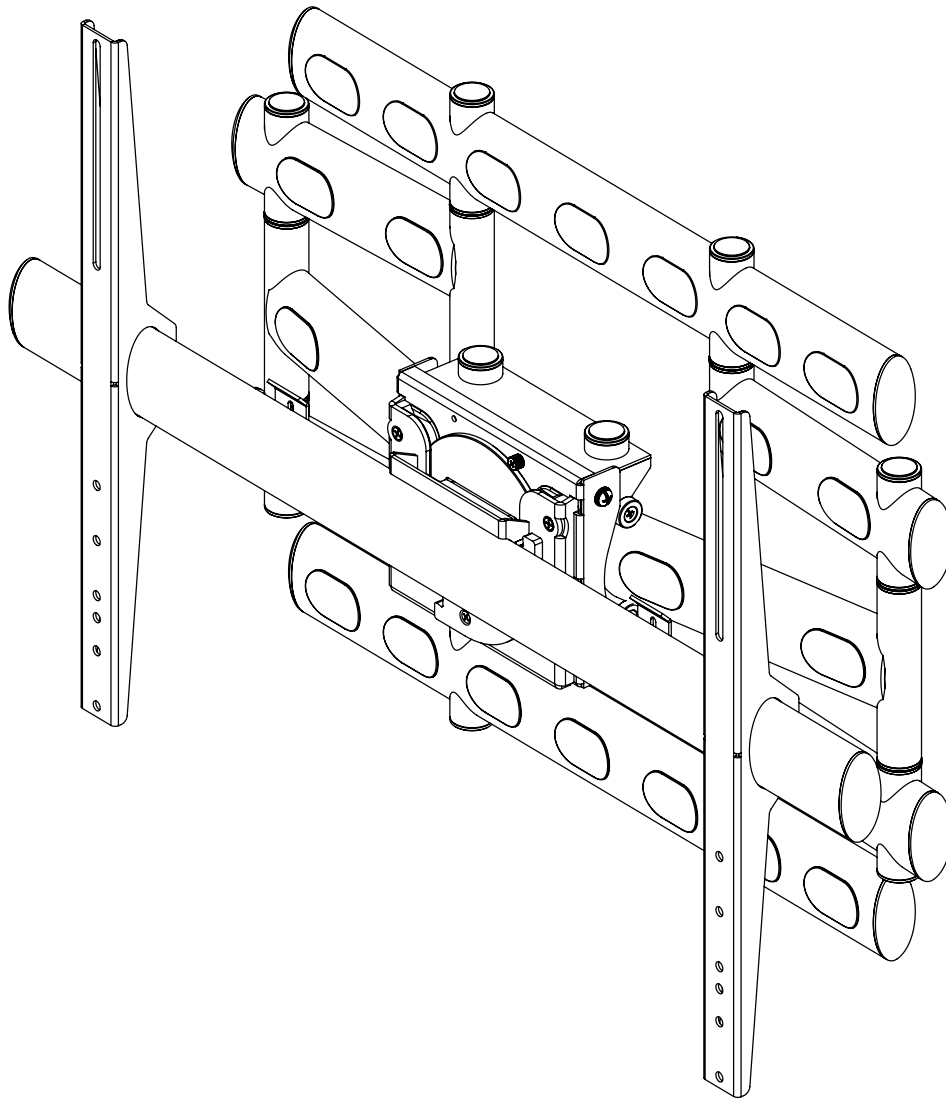


# AM500-U

## Installation Guide



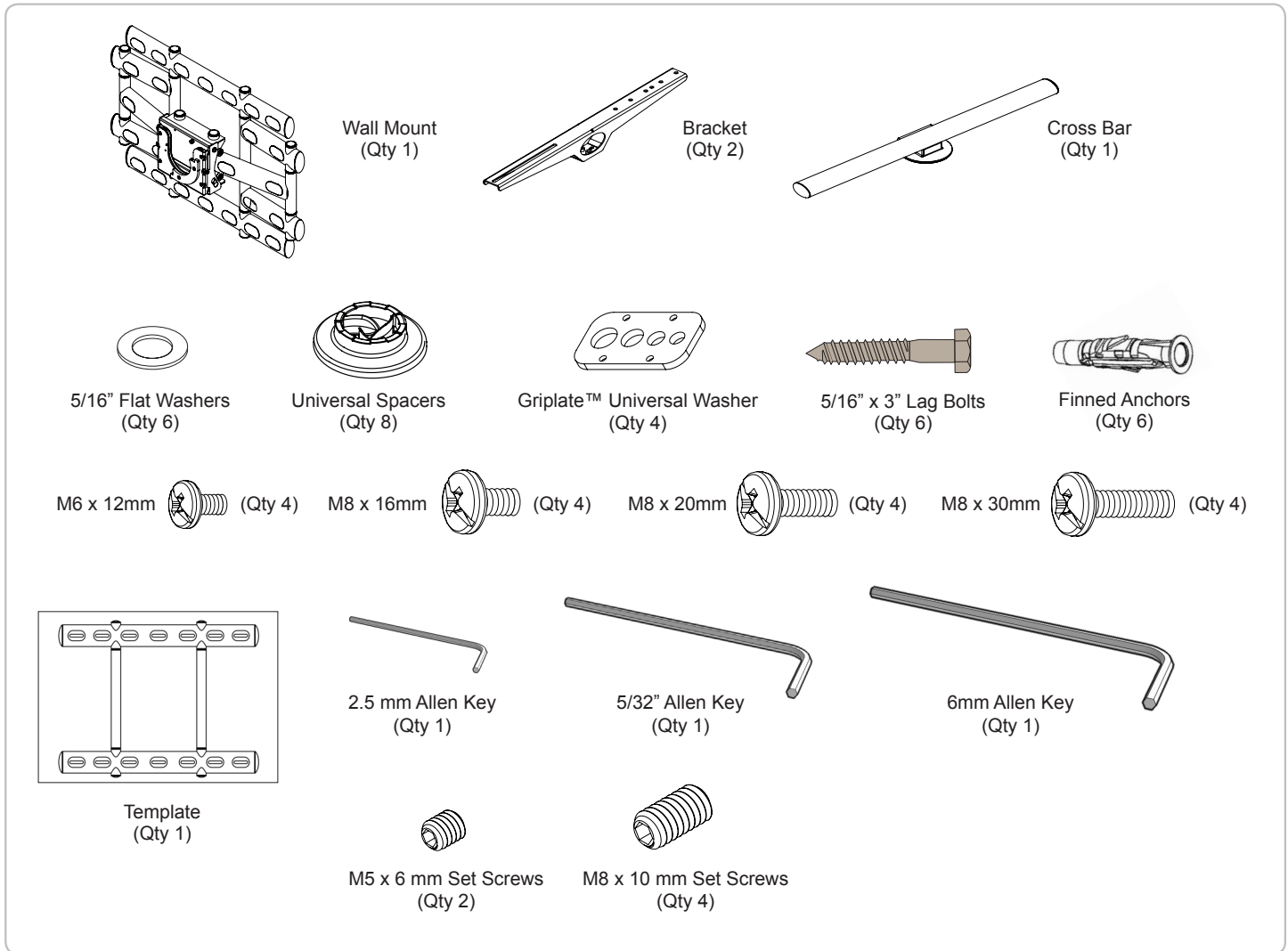
[www.mounts.com](http://www.mounts.com) | North America 800.368.9700 | International +1-714-632-7100  
1321 S. State College Blvd., Fullerton, CA 92831 USA

# AM500-U

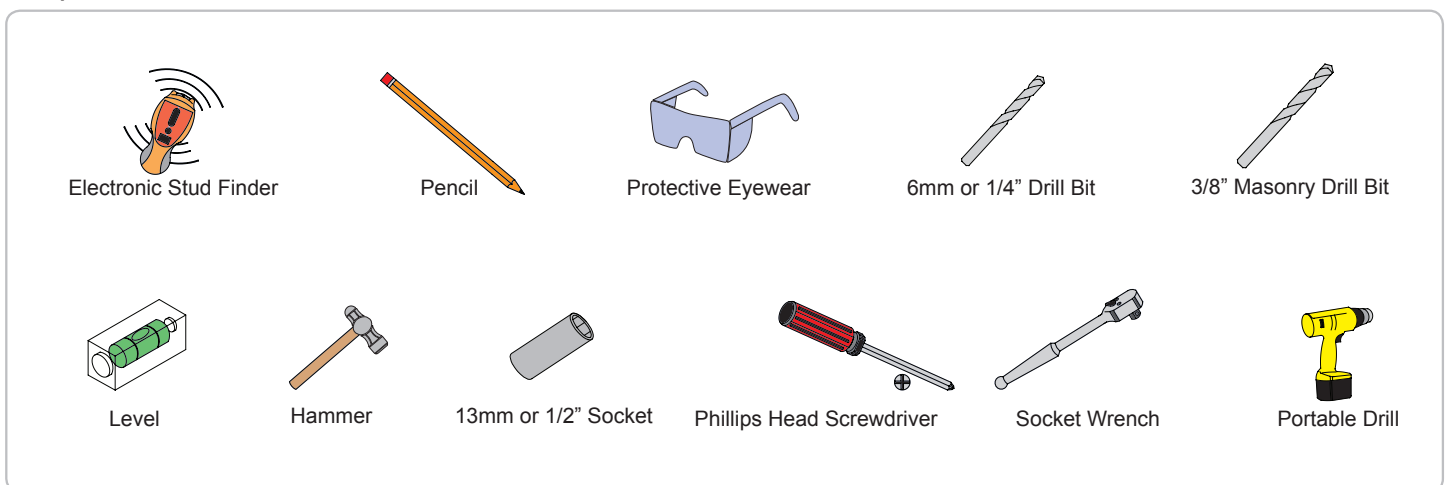
## Installation Guide

Maximum Flat Panel Weight:  
**500 lb. / 226.79 kg.**

### Included Components

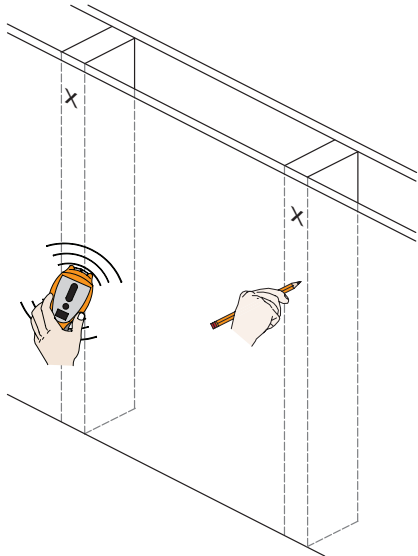


### Required for installation



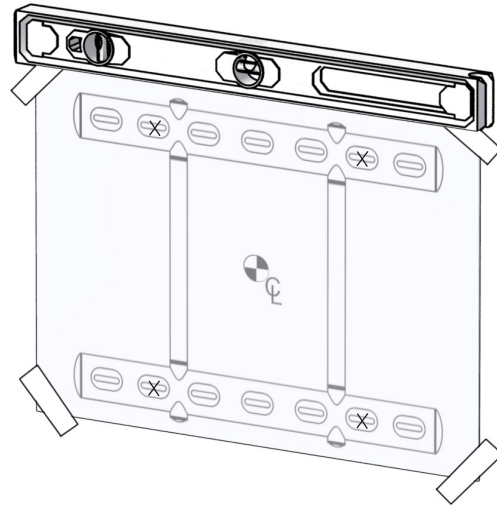
### Wood Stud Installation

1



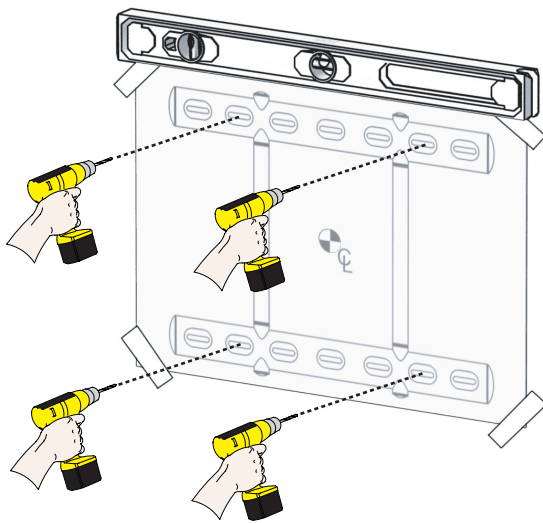
- 1) Use a stud finder to determine the center of wall studs in the vicinity of the mount.
- 2) Use a pencil to mark each of the wall studs.

2



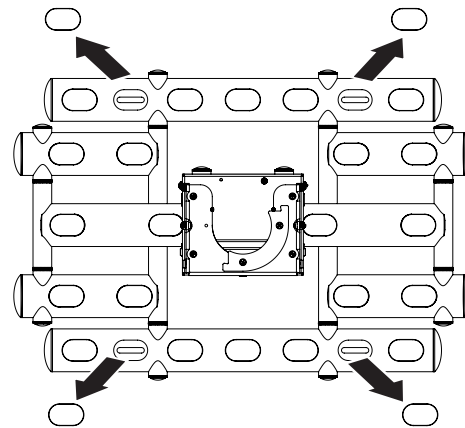
- 1) Place the template over the wall.
- 2) Level the template.
- 3) Tape the template to the wall.
- 4) Mark four (4) mounting locations on template over the center of the wall studs.

3



Drill four (4) pilot holes on mark locations with a drill gun and 1/4" or 6mm drill bit.

4



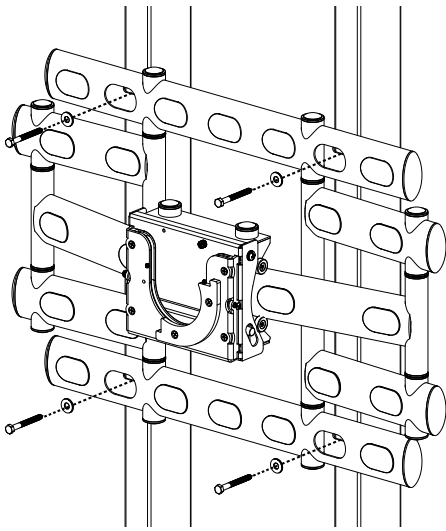
Remove the caps from the wall mount.

# AM500-U

## Installation Guide

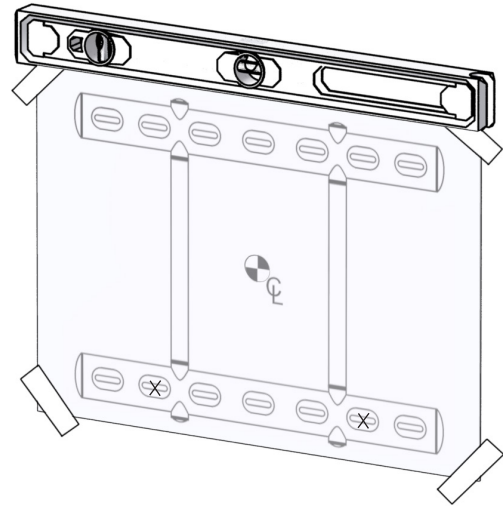
### Concrete Wall Installation

5



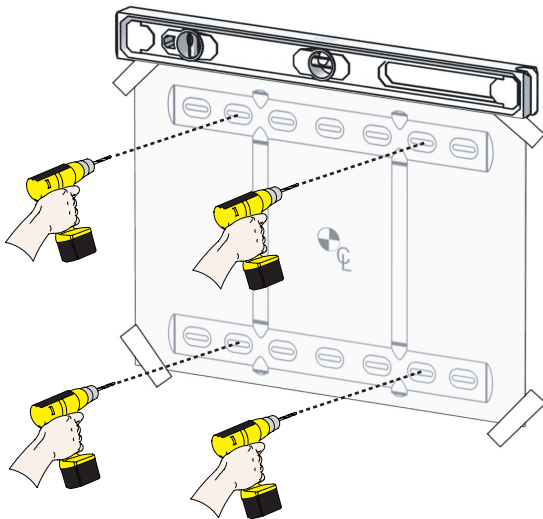
- 1) Remove the template.
- 2) Place the wall mount over the pilot holes.
- 3) Insert one (1) lag bolt and one (1) washer into each pilot hole. Tighten all lag bolts using a socket wrench and 1/2" or 13mm socket.

6



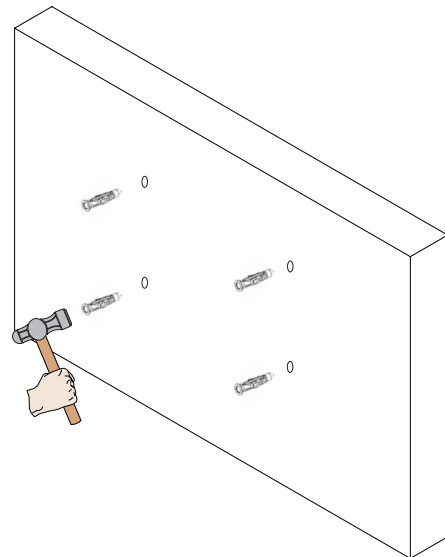
- 1) Place the template over the wall.
- 2) Level the template.
- 3) Tape the template to the wall.
- 4) Mark four (4) mounting locations on template over the center of the wall studs.

7



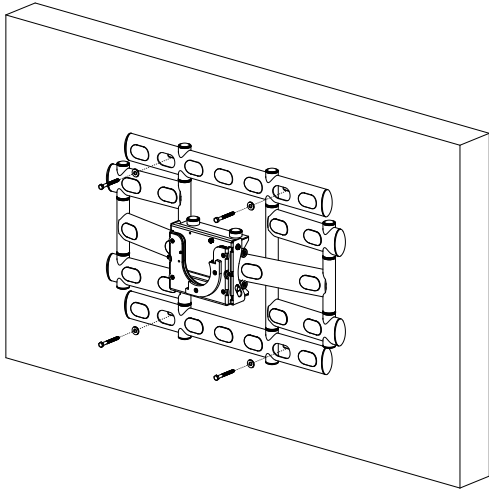
Drill four (4) pilot holes on mark locations with a drill and 3/8" Masonry drill bit.

8



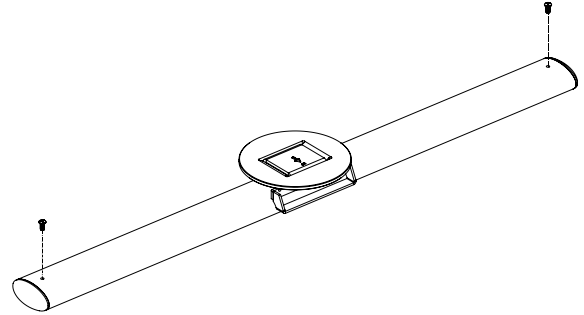
- 1) Remove the template.
- 2) Insert the Finned Anchors into each hole. Lightly tap each Finned Anchors into place with a hammer.

9



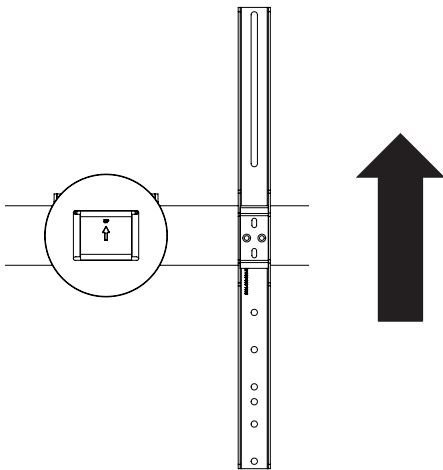
Insert the lag bolts and washer into the Finned Anchors. Tighten all lag bolts using a socket wrench and 1/2" or 13mm socket.

10

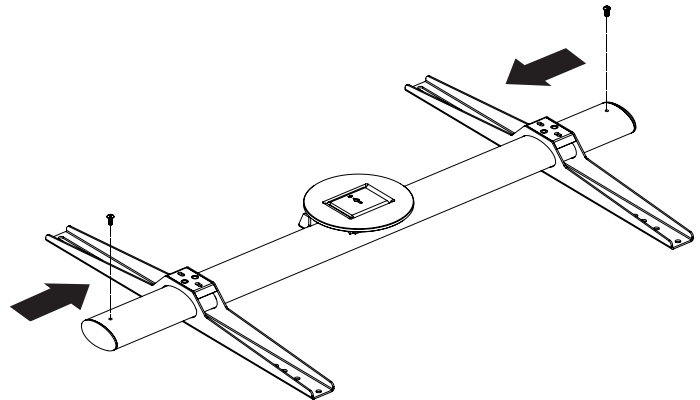


Remove the two (2) M6 x 12 mm screws from the Cross Bar.

11



Locate the arrow on the Cross Bar and install the brackets the correct direction as shown.

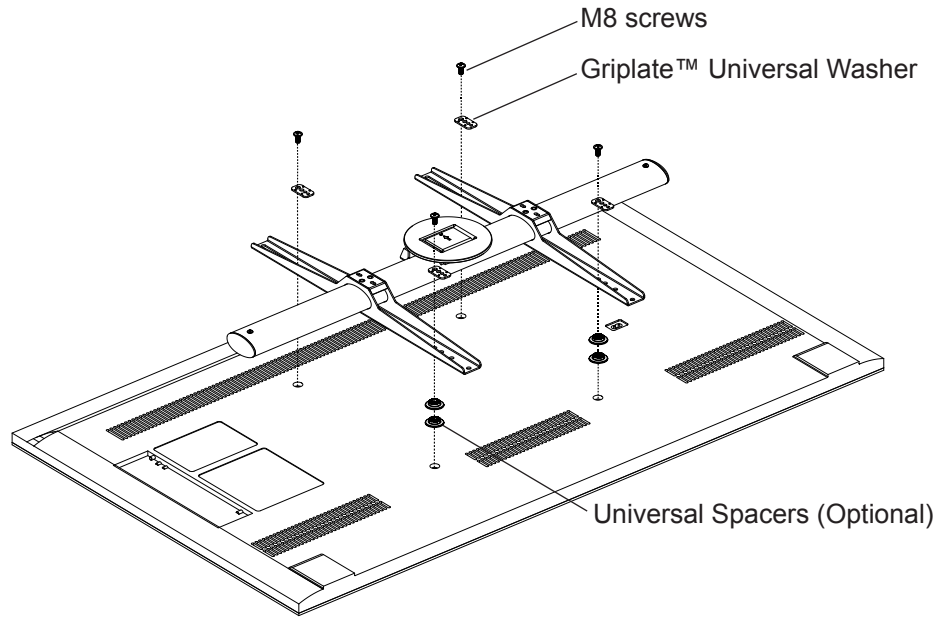


- 1) Slide the brackets into the Cross Bar.
- 2) Secure the brackets with two (2) M6 x 12 mm screws removed on steps 10.

# AM500-U

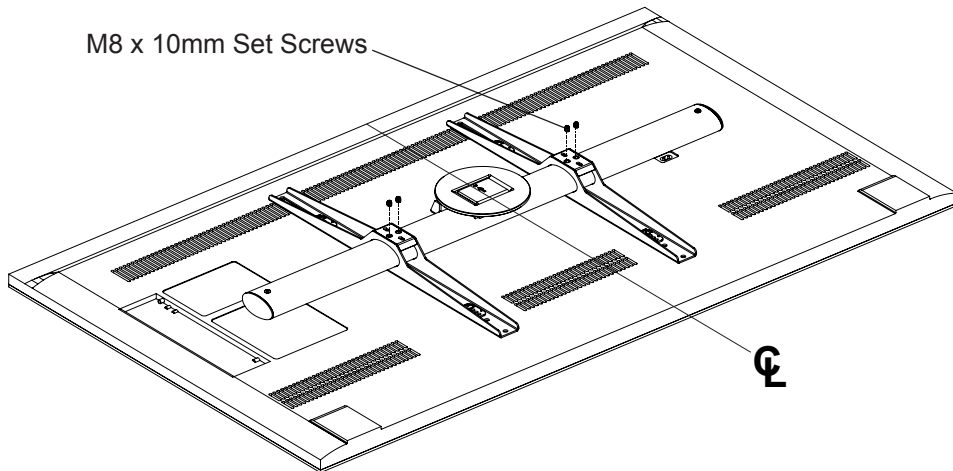
## Installation Guide

12



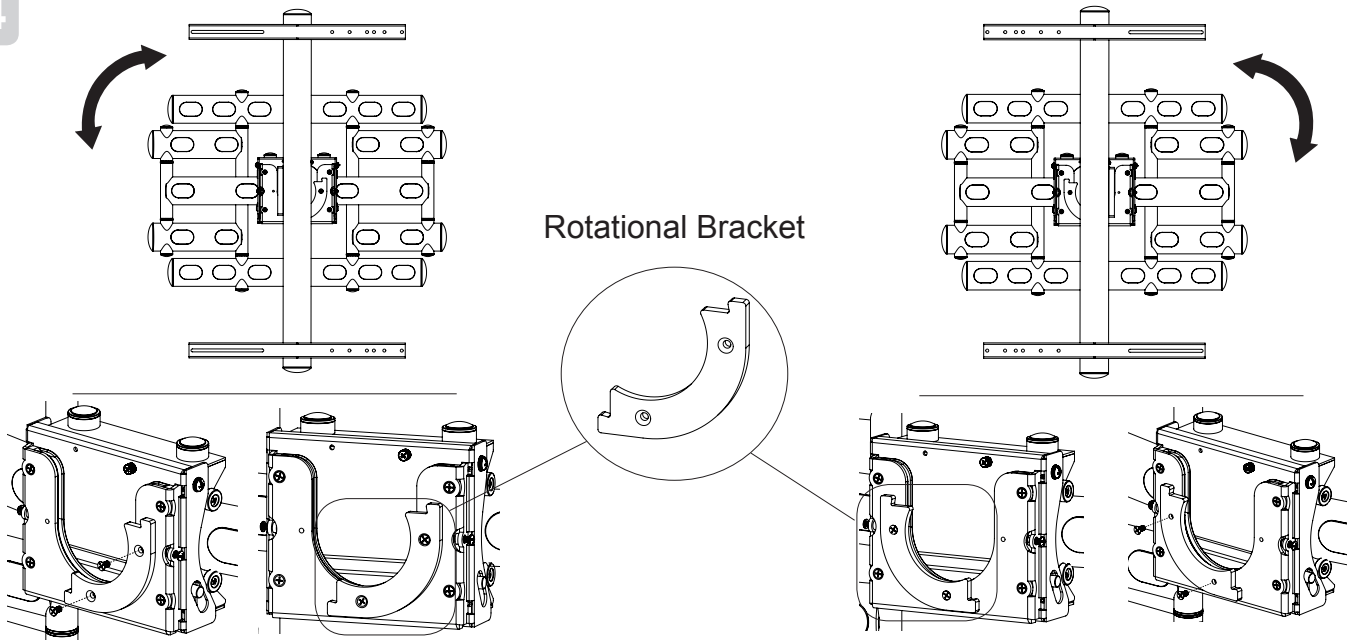
Align the brackets to the display mounting holes. Use four (4) M8 screws, four (4) Griplate™ Universal Washer. Use Universal Spacers if necessary.

13



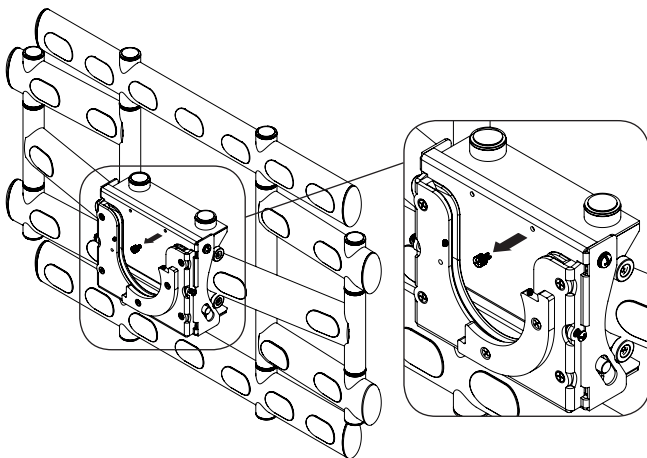
Center the cross bar to the display and install four (4) M8 x 10 mm set screws using the 5/32" Allen Key to secure the brackets.

14



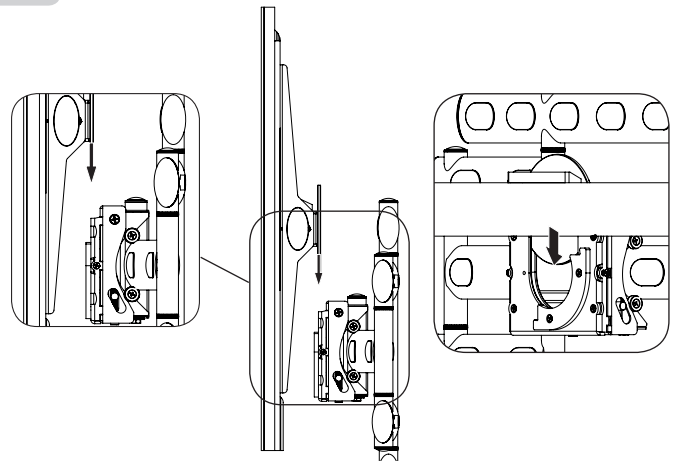
Your orientation can be changed by switching your Rotational Bracket on the receiver.

15



Remove the 6mm safety knob screw and set it aside.

16

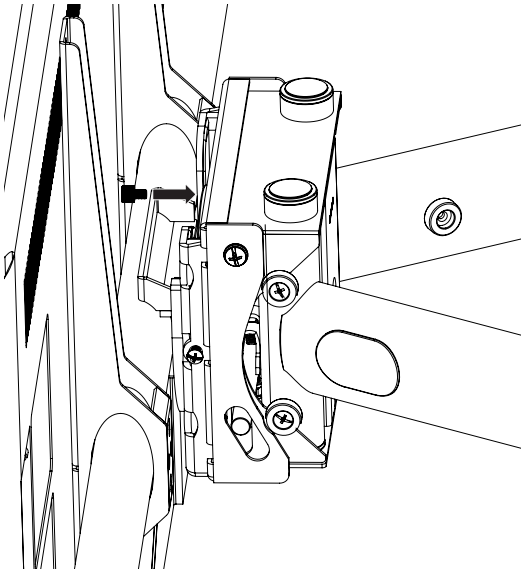


Two or Three person is recommended for this step. Lift the cross bar and place it into the receiver.

# AM500-U

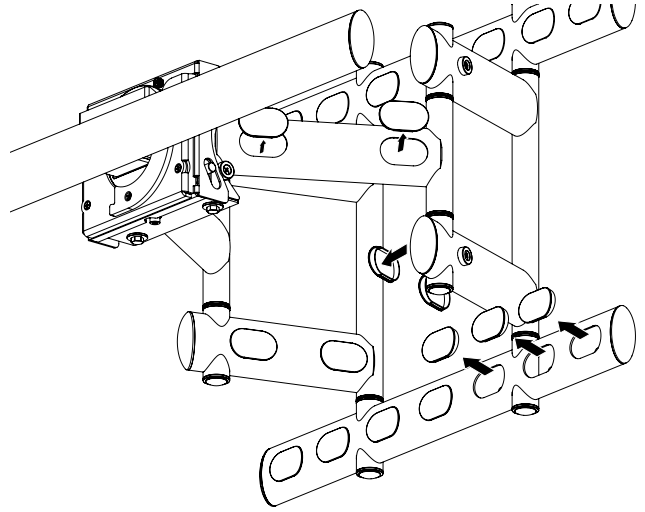
## Installation Guide

17



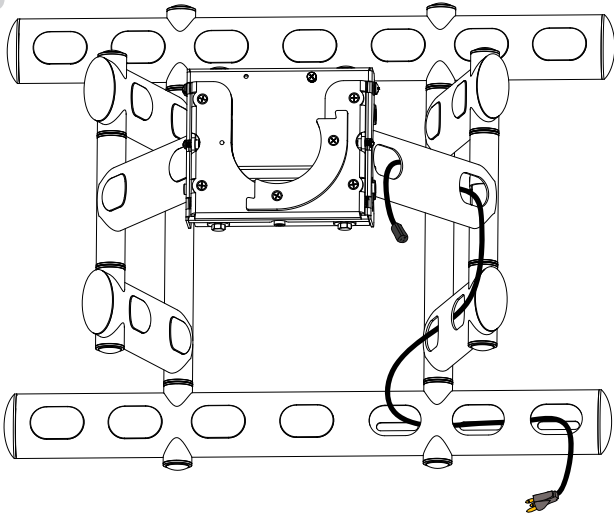
Once the cross bar is fully seated in the receiver reinstalled the 6mm safety knob screw removed from step 15.

18



Remove the plastic caps.

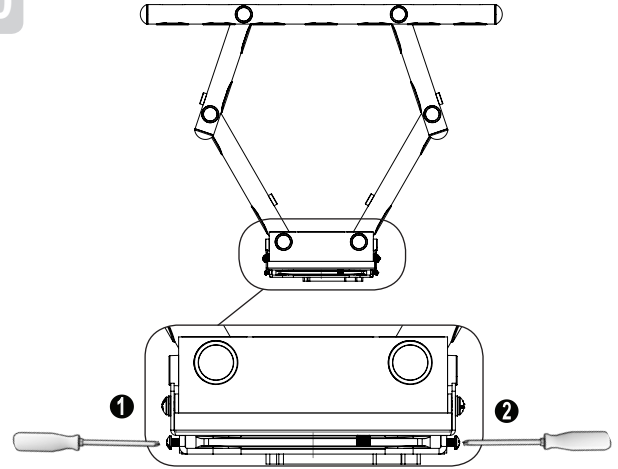
19



Power and signal cables can run through the mount.

Note: Once cables have been installed carefully check the movement of the mount and cables together to insure their is no "pitching of the cables" when the mount is articulated.

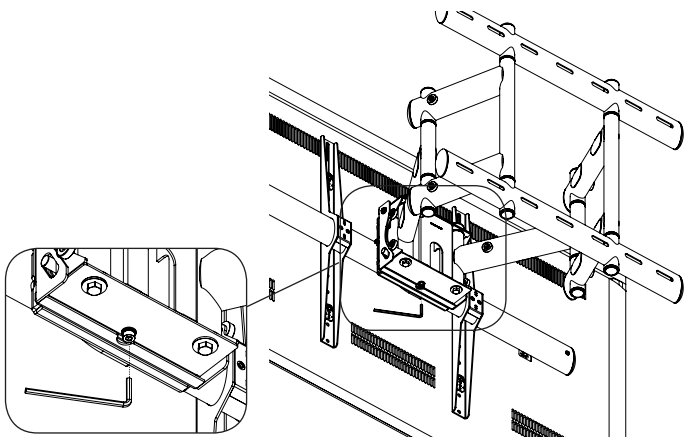
20



The screws on the receiver head of the mount can be adjusted to add or subtract the tension of the rotation.

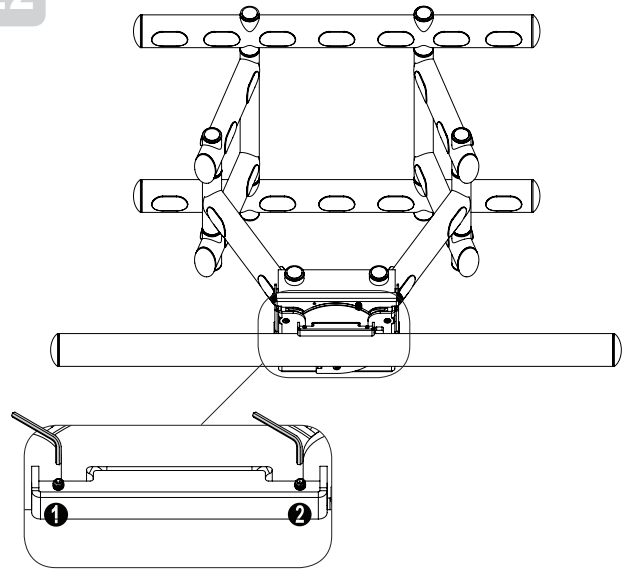


21



Use 6mm Allen Key for tilt adjustments.

22



Use 2.5mm for leveling adjustments.

# AM500-U

## Installation Guide

### PREMIER MOUNTS LIMITED LIFETIME WARRANTY

#### **What and Who is Covered by this Limited Lifetime Warranty**

Premier Mounts warrants all mounting products to be free from defects in material and workmanship for the lifetime of the original installation of the product.

#### **What Premier Mounts Will Do**

At the sole option of Premier Mounts, Premier Mounts will repair or replace any product or product part that is defective. If Premier Mounts chooses to replace a defective product or part, a replacement product or part will be shipped to you at no charge, but you must pay any related labor costs.

#### **What is Not Covered: Limitations**

Premier Mounts disclaims any liability for damage to mounts, adapters, displays, projectors, other property, or personal injury resulting, in whole or in part, from improper installation, modification, use or misuse of its products.

NOTWITHSTANDING ANYTHING TO THE CONTRARY IN THIS WARRANTY, THIS WARRANTY IS LIMITED TO FIVE YEARS FROM THE DATE OF PURCHASE IN THE EVENT THAT THE WARRANTED PRODUCT IS COMMERCIALY RENTED OUT.

Electrical products and components, such as amplifiers, speakers, motors, switches remote controls and related electrical items, are backed by a 3-year warranty.

Premier Mounts disclaims all other warranties, express or implied, including warranties of merchantability and fitness for a particular purpose. Premier Mounts is not responsible for incidental or consequential damages, including but not limited to, inability to use its products or labor costs for removing and replacing defective products or parts. Some states do not allow the exclusion or limitation of incidental or consequential damages, so the above limitation or exclusion may not apply to you.

#### **What Customers Must Do for Warranty Service**

If you discover a problem that you think may be covered by the warranty, you must report it in writing to the address below within thirty (30) days. Proof of purchase (an original sales receipt) from the original consumer purchaser must accompany all warranty claims. Warranty claims must also include a description of the problem, the purchaser's name, address, and telephone number. General inquiries can be addressed to Premier Mounts Customer Service at 1-800-368-9700. Warranty claims will not be accepted over the phone or by fax.

Premier Mounts  
Attn: Warranty Claim  
1321 S. State College Blvd.  
Fullerton, CA 92831 USA

#### **How State Law Applies**

This warranty gives you specific legal rights, and you may also have other rights which vary from state to state.

Premier Mounts intends to make this manual accurate and complete. However, Premier Mounts makes no claim that the information contained herein covers all details, conditions or variations, nor does it provide for every possible contingency in connection with the installation or use of this product. The information contained in this document is subject to change without notice or obligation of any kind. Premier Mounts makes no representation of warranty, expressed or implied, regarding the information contained herein. Premier Mounts assumes no responsibility for accuracy, completeness or sufficiency of the information contained in this document.

