

Articulating Mega Wall Mount for Displays up to 500 lb.

Model: **AM500**

Screen Sizes: 65-82 in. Weight Capacity: 500 lb / 227.3 kg.

Features

- 1** Mounting head provides 90 degree rotation capability to the left and right
 - 2** Positive and negative tilt (+4.00°/-4.00°) adjustment for a level installation
 - 3** 15" extension from the wall for full display access
- Rotation allows for portrait, landscape or any other angled configuration
 - Dual articulating arms provide weight capacity of up to 500 lb. for any heavy weight display
 - Three different mounting brackets available for different sized displays

The AM500 is an articulating wall mount for displays up to 500 lb. The mount holds flat panel displays up to 82 in. The positive and negative tilt adjustment allows the mount to be installed level and plumb. The dual articulating arms allow even the heaviest display to be pulled away from the wall for service or alignment. The mount features a 90 degree rotation which allows the display to be installed in landscape, portrait or any other angled orientation.



Touchboards

205 Westwood Ave, Long Branch, NJ 07740
 Phone: 866-94 BOARDS (26273) / (732)-222-1511
 Fax: (732)-222-7088 | E-mail: sales@touchboards.com



Positive and negative tilt adjustment for multiple viewing angles



90 degree rotation to the left or right for portrait or landscape options



Organized cable management throughout mounting arms

Articulating Mega Wall Mount for Displays up to 500 lb.

AM500

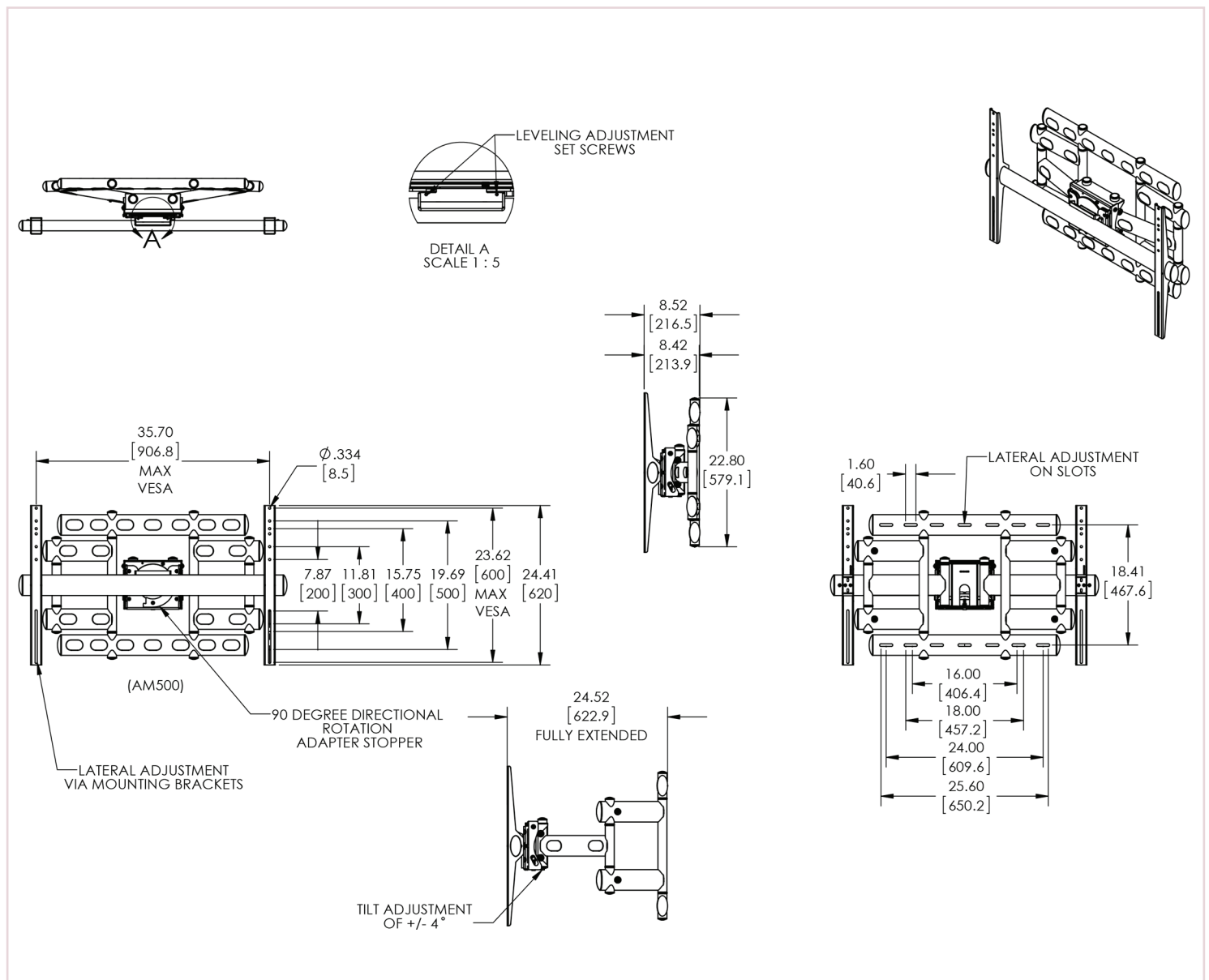
Specifications

Screen Sizes	Weight	Color	Weight Capacity / Mount	Mounting Pattern
65-82 in.	90.15 lb. 41 kg	Black	500 lb. 227.3 kg	400 x 200 mm (Min) - 600 x 400 mm (Max)
Width x Height x Depth			Total Weight Capacity	Warranty
41 x 24.41 x 8.52-24.52 in. 1041.4 x 620 x 216.5-622.9 mm			500 lb. 227.3 kg	Lifetime

Packaging

Width x Height x Depth	Contents
Box 1 46.75 x 11.5 x 4.25 in. 1187 x 292 x 108 mm Box 2 35.5 x 25.63 x 7.63 902 x 651 x 194 mm	Fully Assembled Mount (x1), Back Plate (x1), Universal Hardware Pack (x1)

Architectural Drawing



Specifications subject to change without notice

T: 800.368.9700 | www.mounts.com | 1321 S. State College Blvd., Fullerton, CA 92831 USA



Visit mounts.com to see the complete line of AV solutions from Premier Mounts, including flat-panel mounts, projector mounts, carts/stands, and a full assortment of accessories.
© 2014 Premier Mounts. All rights reserved. Rev. 01-14-06

Rev. 01-14-06